

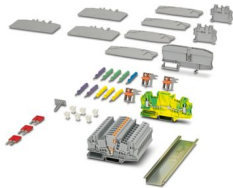
# UTME 6-SET POWER - Starter kit



3036000

<https://www.phoenixcontact.com/us/products/3036000>

Please be informed that the data shown in this PDF document is generated from our online catalog. Please find the complete data in the user documentation. Our general terms of use for downloads are valid.



Starter kit - consisting of test disconnect terminal blocks with screw connection technology, marking material, bridging and test accessories. A terminal strip for a three-phase transformer circuit (current and voltage) can be configured individually.

## Commercial data

Item number	3036000
Packing unit	1 pc
Sales key	B01
Product key	BE1133
GTIN	4046356416993
Weight per piece (including packing)	700.6 g
Weight per piece (excluding packing)	700.6 g
Customs tariff number	85369010
Country of origin	DE

# UTME 6-SET POWER - Starter kit

3036000

<https://www.phoenixcontact.com/us/products/3036000>

## Set consists of

### UTME 6 - Test disconnect terminal block

3047400

<https://www.phoenixcontact.com/us/products/3047400>



Test disconnect terminal block, nom. voltage: 500 V, nominal current: 30 A, 1 level, connection method: Screw connection, Rated cross section: 6 mm<sup>2</sup>, cross section: 0.2 mm<sup>2</sup> - 10 mm<sup>2</sup>, mounting: NS 35/7,5, NS 35/15, color: gray

---

### UTMED 6-PE - Protective conductor terminal block

3047442

<https://www.phoenixcontact.com/us/products/3047442>



Protective conductor terminal block, number of connections: 2, connection method: Screw connection, cross section: 0.2 mm<sup>2</sup> - 10 mm<sup>2</sup>, mounting type: NS 35/7,5, NS 35/15, color: green-yellow

# UTME 6-SET POWER - Starter kit

3036000

<https://www.phoenixcontact.com/us/products/3036000>

## D-UTME 6 - End cover

3047426

<https://www.phoenixcontact.com/us/products/3047426>

End cover, depth: 49.6 mm, width: 2.2 mm, height: 100.8 mm, color: gray



## ATP-URTK/SP - Partition plate

0311139

<https://www.phoenixcontact.com/us/products/0311139>

Partition plate, depth: 64 mm, width: 2 mm, height: 99 mm, color: gray



# UTME 6-SET POWER - Starter kit

3036000

<https://www.phoenixcontact.com/us/products/3036000>



## CARRIER 35-8 - Partition plate

3034387

<https://www.phoenixcontact.com/us/products/3034387>

Partition plate, With storage option for FBS...-8 and PAI 4-FIX, material: PA, mounting type: NS 35/7,5, NS 35/15, color: gray



---

## SB-ME 2-8 - Bridge bar

3034468

<https://www.phoenixcontact.com/us/products/3034468>

Bridge bar, pitch: 8.2 mm, number of positions: 2, nominal current: 30 A, length: 25 mm, color: gray/orange



# UTME 6-SET POWER - Starter kit



3036000

<https://www.phoenixcontact.com/us/products/3036000>

## FBS 1/3/5-8 - Plug-in bridge

3032389

<https://www.phoenixcontact.com/us/products/3032389>



Plug-in bridge, pitch: 8.2 mm, number of positions: 5, nominal current: 41 A, pin assignment: 1,3,5, color: red

---

## FBS 2-8 - Plug-in bridge

3030284

<https://www.phoenixcontact.com/us/products/3030284>



Plug-in bridge, pitch: 8.2 mm, number of positions: 2, nominal current: 41 A, color: red

# UTME 6-SET POWER - Starter kit



3036000

<https://www.phoenixcontact.com/us/products/3036000>

## PAI-4-FIX YE - Test adapter

3032745

<https://www.phoenixcontact.com/us/products/3032745>



Test adapter, Touch proof against unintentional direct contact according to DIN EN 50274 when plugged in, for 4 mm test plug and terminal blocks with 8.2 mm pitch, number of positions: 1, color: yellow

---

## PAI-4-FIX GN - Test adapter

3032758

<https://www.phoenixcontact.com/us/products/3032758>



Test adapter, Touch proof against unintentional direct contact according to DIN EN 50274 when plugged in, for 4 mm test plug and terminal blocks with 8.2 mm pitch, number of positions: 1, color: green

# UTME 6-SET POWER - Starter kit

3036000

<https://www.phoenixcontact.com/us/products/3036000>



## PAI-4-FIX VT - Test adapter

3032761

<https://www.phoenixcontact.com/us/products/3032761>



Test adapter, Touch proof against unintentional direct contact according to DIN EN 50274 when plugged in, for 4 mm test plug and terminal blocks with 8.2 mm pitch, number of positions: 1, color: violet

---

## PAI-4-FIX BU - Test adapter

3032729

<https://www.phoenixcontact.com/us/products/3032729>



Test adapter, Touch proof against unintentional direct contact according to DIN EN 50274 when plugged in, for 4 mm test plug and terminal blocks with 8.2 mm pitch, number of positions: 1, color: blue

# UTME 6-SET POWER - Starter kit

3036000

<https://www.phoenixcontact.com/us/products/3036000>



## S-ME 6 - Switching lock

3034439

<https://www.phoenixcontact.com/us/products/3034439>

Switching lock, width: 8.2 mm, height: 12 mm, color: white



---

## CLIPFIX 35-5 - End bracket

3022276

<https://www.phoenixcontact.com/us/products/3022276>

Quick mounting end clamp for NS 35/7,5 DIN rail or NS 35/15 DIN rail, with marking option, with parking option for FBS...5, FBS...6, KSS 5, KSS 6, width: 5.15 mm, color: gray



# UTME 6-SET POWER - Starter kit

3036000

<https://www.phoenixcontact.com/us/products/3036000>



## KLM 3 - Terminal strip marker carrier

0811969

<https://www.phoenixcontact.com/us/products/0811969>



Terminal strip marker carrier, adjustable height, for CLIPFIX 15, CLIPFIX 35, and CLIPFIX 35-5 end brackets, can be marked using labels in 20 x 8 mm format

---

## UC-EMLP (20X8) - Plastic label

0819327

<https://www.phoenixcontact.com/us/products/0819327>



Plastic label, Sheet, white (RAL 9010), unmarked, can be labeled with: BLUEMARK E.CARD, BLUEMARK ID COLOR, BLUEMARK ID, BLUEMARK CLED, PLOTMARK, CMS-P1-PLOTTER, mounting type: adhesive, Number of individual labels: 10, text field height: 8 mm, text field width: 20 mm

# UTME 6-SET POWER - Starter kit

3036000

<https://www.phoenixcontact.com/us/products/3036000>



## UC-TM 8 - Marker for terminal blocks

0818072

<https://www.phoenixcontact.com/us/products/0818072>



Marker for terminal blocks, Sheet, white (RAL 9010), unmarked, can be labeled with: BLUEMARK E.CARD, BLUEMARK ID COLOR, BLUEMARK ID, BLUEMARK CLED, PLOTMARK, CMS-P1-PLOTTER, mounting type: latching, for terminal block width: 8.2 mm, Number of individual labels: 56, text field height: 10.5 mm, text field width: 7.6 mm

# UTME 6-SET POWER - Starter kit



3036000

<https://www.phoenixcontact.com/us/products/3036000>

## Technical data

### Product properties

Product type	Starter kit
--------------	-------------

### Connection data

Connection method	Screw connection
-------------------	------------------

### Dimensions

Width	225 mm
Height	315 mm
Depth	65 mm

### Material specifications

Static insulating material application in cold	-60 °C
Relative insulation material temperature index (Elec., UL 746 B)	130 °C
Fire protection for rail vehicles (DIN EN 45545-2) R22	HL 1 - HL 3
Fire protection for rail vehicles (DIN EN 45545-2) R23	HL 1 - HL 3
Fire protection for rail vehicles (DIN EN 45545-2) R24	HL 1 - HL 3
Fire protection for rail vehicles (DIN EN 45545-2) R26	HL 1 - HL 3
Surface flammability NFPA 130 (ASTM E 162)	passed
Specific optical density of smoke NFPA 130 (ASTM E 662)	passed
Smoke gas toxicity NFPA 130 (SMP 800C)	passed

### Environmental and real-life conditions

#### Ambient conditions

Ambient temperature (operation)	-60 °C ... 110 °C (Operating temperature range incl. self-heating; for max. short-term operating temperature, see RTI Elec.)
Ambient temperature (storage/transport)	-25 °C ... 60 °C (for a short time, not exceeding 24 h, -60 °C to +70 °C)
Ambient temperature (assembly)	-5 °C ... 70 °C
Ambient temperature (actuation)	-5 °C ... 70 °C
Permissible humidity (operation)	20 % ... 90 %
Permissible humidity (storage/transport)	30 % ... 70 %

### Mounting

Mounting type	NS 35/7,5
	NS 35/15

# UTME 6-SET POWER - Starter kit

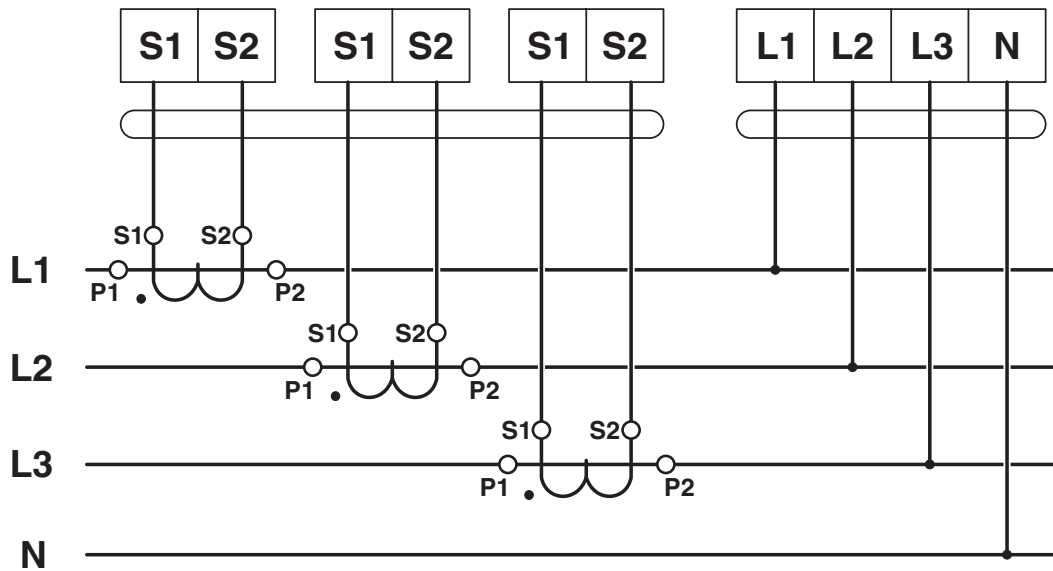


3036000

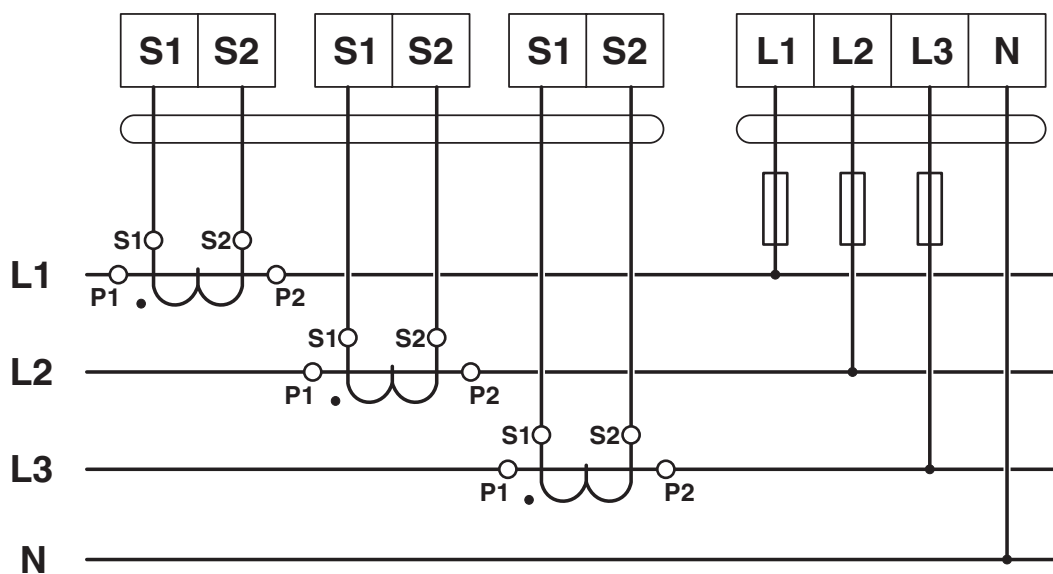
<https://www.phoenixcontact.com/us/products/3036000>

## Drawings

Circuit diagram



Circuit diagram



# UTME 6-SET POWER - Starter kit



3036000

<https://www.phoenixcontact.com/us/products/3036000>

## Approvals

To download certificates, visit the product detail page: <https://www.phoenixcontact.com/us/products/3036000>



**EAC**

Approval ID: KZ7500651131219505



**cULus Recognized**

Approval ID: E60425

	Nominal voltage $U_N$	Nominal current $I_N$	Cross section AWG	Cross section $\text{mm}^2$
B				
	600 V	30 A	24 - 8	-
C				
	600 V	30 A	24 - 8	-
Only with mounting panel	600 V	30 A	24 - 8	-

# UTME 6-SET POWER - Starter kit



3036000

<https://www.phoenixcontact.com/us/products/3036000>

## Classifications

### ECLASS

ECLASS-13.0	27141190
ECLASS-15.0	27141190

### ETIM

ETIM 10.0	EC002848
-----------	----------

### UNSPSC

UNSPSC 21.0	39121400
-------------	----------

# UTME 6-SET POWER - Starter kit



3036000

<https://www.phoenixcontact.com/us/products/3036000>

## Environmental product compliance

### EU RoHS

Fulfills EU RoHS substance requirements	Yes
Exemption	6(c)

### China RoHS

Environment friendly use period (EFUP)	EFUP-50
	An article-related China RoHS declaration table can be found in the download area for the respective article under "Manufacturer declaration". For all articles with EFUP-E, no China RoHS declaration table issued and required.

### EU REACH SVHC

REACH candidate substance (CAS No.)	Lead(CAS: 7439-92-1)
-------------------------------------	----------------------

Phoenix Contact 2026 © - all rights reserved  
<https://www.phoenixcontact.com>

Phoenix Contact USA  
586 Fulling Mill Road  
Middletown, PA 17057, United States  
(+717) 944-1300  
[info@phoenixcon.com](mailto:info@phoenixcon.com)