

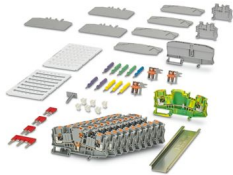
PTME 6-SET POWER - Starter kit



3035991

<https://www.phoenixcontact.com/us/products/3035991>

Please be informed that the data shown in this PDF document is generated from our online catalog. Please find the complete data in the user documentation. Our general terms of use for downloads are valid.



Starter kit, consisting of test disconnect terminal blocks with push-in connection technology, marking material, bridging and test accessories. A terminal strip for a three-phase transformer circuit (current and voltage) can be configured individually.

Commercial data

Item number	3035991
Packing unit	1 pc
Minimum order quantity	1 pc
Sales key	NULL
Product key	BE2233
GTIN	4046356428262
Weight per piece (including packing)	745 g
Weight per piece (excluding packing)	529 g
Customs tariff number	85369010
Country of origin	DE

PTME 6-SET POWER - Starter kit

3035991

<https://www.phoenixcontact.com/us/products/3035991>

Set consists of

PTME 6 - Test disconnect terminal block

3212170

<https://www.phoenixcontact.com/us/products/3212170>



Test disconnect terminal block, nom. voltage: 500 V, nominal current: 30 A, connection method: Push-in connection, 1 level, Rated cross section: 6 mm², cross section: 0.5 mm² - 10 mm², color: gray

PTMED 6-PE - Protective conductor terminal block

3212196

<https://www.phoenixcontact.com/us/products/3212196>



Protective conductor terminal block, connection method: Push-in connection, 1 level, cross section: 0.5 mm² - 10 mm², color: green-yellow

PTME 6-SET POWER - Starter kit



3035991

<https://www.phoenixcontact.com/us/products/3035991>

D-DTME 6 - End cover

3034426

<https://www.phoenixcontact.com/us/products/3034426>

End cover, depth: 49.6 mm, width: 2.2 mm, height: 99.8 mm, color: gray



ATP-URTK/SP - Partition plate

0311139

<https://www.phoenixcontact.com/us/products/0311139>

Partition plate, depth: 64 mm, width: 2 mm, height: 99 mm, color: gray



PTME 6-SET POWER - Starter kit



3035991

<https://www.phoenixcontact.com/us/products/3035991>

CARRIER 35-8 - Partition plate

3034387

<https://www.phoenixcontact.com/us/products/3034387>

Partition plate, With storage option for FBS...-8 and PAI 4-FIX, material: PA, mounting type: NS 35/7,5, NS 35/15, color: gray



SB-ME 2-8 - Bridge bar

3034468

<https://www.phoenixcontact.com/us/products/3034468>

Bridge bar, pitch: 8.2 mm, number of positions: 2, nominal current: 30 A, length: 25 mm, color: gray/orange



PTME 6-SET POWER - Starter kit



3035991

<https://www.phoenixcontact.com/us/products/3035991>

FBS 2-8 - Plug-in bridge

3030284

<https://www.phoenixcontact.com/us/products/3030284>



Plug-in bridge, pitch: 8.2 mm, number of positions: 2, nominal current: 41 A, color: red

FBS 1/3/5-8 - Plug-in bridge

3032389

<https://www.phoenixcontact.com/us/products/3032389>



Plug-in bridge, pitch: 8.2 mm, number of positions: 5, nominal current: 41 A, pin assignment: 1,3,5, color: red

PTME 6-SET POWER - Starter kit



3035991

<https://www.phoenixcontact.com/us/products/3035991>

PAI-4-FIX YE - Test adapter

3032745

<https://www.phoenixcontact.com/us/products/3032745>



Test adapter, Touch proof against unintentional direct contact according to DIN EN 50274 when plugged in, for 4 mm test plug and terminal blocks with 8.2 mm pitch, number of positions: 1, color: yellow

PAI-4-FIX GN - Test adapter

3032758

<https://www.phoenixcontact.com/us/products/3032758>



Test adapter, Touch proof against unintentional direct contact according to DIN EN 50274 when plugged in, for 4 mm test plug and terminal blocks with 8.2 mm pitch, number of positions: 1, color: green

PTME 6-SET POWER - Starter kit



3035991

<https://www.phoenixcontact.com/us/products/3035991>

PAI-4-FIX VT - Test adapter

3032761

<https://www.phoenixcontact.com/us/products/3032761>



Test adapter, Touch proof against unintentional direct contact according to DIN EN 50274 when plugged in, for 4 mm test plug and terminal blocks with 8.2 mm pitch, number of positions: 1, color: violet

PAI-4-FIX BU - Test adapter

3032729

<https://www.phoenixcontact.com/us/products/3032729>



Test adapter, Touch proof against unintentional direct contact according to DIN EN 50274 when plugged in, for 4 mm test plug and terminal blocks with 8.2 mm pitch, number of positions: 1, color: blue

PTME 6-SET POWER - Starter kit

3035991

<https://www.phoenixcontact.com/us/products/3035991>



S-ME 6 - Switching lock

3034439

<https://www.phoenixcontact.com/us/products/3034439>

Switching lock, width: 8.2 mm, height: 12 mm, color: white



CLIPFIX 35-5 - End bracket

3022276

<https://www.phoenixcontact.com/us/products/3022276>

Quick mounting end clamp for NS 35/7,5 DIN rail or NS 35/15 DIN rail, with marking option, with parking option for FBS...5, FBS...6, KSS 5, KSS 6, width: 5.15 mm, color: gray



PTME 6-SET POWER - Starter kit



3035991

<https://www.phoenixcontact.com/us/products/3035991>

KLM 3 - Terminal strip marker carrier

0811969

<https://www.phoenixcontact.com/us/products/0811969>



Terminal strip marker carrier, adjustable height, for CLIPFIX 15, CLIPFIX 35, and CLIPFIX 35-5 end brackets, can be marked using labels in 20 x 8 mm format

UC-EMLP (20X8) - Plastic label

0819327

<https://www.phoenixcontact.com/us/products/0819327>



Plastic label, Sheet, white (RAL 9010), unmarked, can be labeled with: BLUEMARK E.CARD, BLUEMARK ID COLOR, BLUEMARK ID, BLUEMARK CLED, PLOTMARK, CMS-P1-PLOTTER, mounting type: adhesive, Number of individual labels: 10, text field height: 8 mm, text field width: 20 mm

PTME 6-SET POWER - Starter kit



3035991

<https://www.phoenixcontact.com/us/products/3035991>

UC-TM 8 - Marker for terminal blocks

0818072

<https://www.phoenixcontact.com/us/products/0818072>



Marker for terminal blocks, Sheet, white (RAL 9010), unmarked, can be labeled with: BLUEMARK E.CARD, BLUEMARK ID COLOR, BLUEMARK ID, BLUEMARK CLED, PLOTMARK, CMS-P1-PLOTTER, mounting type: latching, for terminal block width: 8.2 mm, Number of individual labels: 56, text field height: 10.5 mm, text field width: 7.6 mm

UC-TMF 8 - Marker for terminal blocks

0818137

<https://www.phoenixcontact.com/us/products/0818137>



Marker for terminal blocks, Sheet, white (RAL 9010), unmarked, can be labeled with: BLUEMARK E.CARD, BLUEMARK ID COLOR, BLUEMARK ID, BLUEMARK CLED, PLOTMARK, CMS-P1-PLOTTER, mounting type: latching, for terminal block width: 8.2 mm, Number of individual labels: 56, text field height: 5.1 mm, text field width: 7.6 mm

PTME 6-SET POWER - Starter kit



3035991

<https://www.phoenixcontact.com/us/products/3035991>

Technical data

Product properties

Product type	Starter kit
--------------	-------------

Connection data

Connection method	Push-in connection
-------------------	--------------------

Dimensions

Width	225 mm
Height	315 mm
Depth	65 mm

Environmental and real-life conditions

Ambient conditions

Ambient temperature (operation)	-60 °C ... 110 °C (Operating temperature range incl. self-heating; for max. short-term operating temperature, see RTI Elec.)
Ambient temperature (storage/transport)	-25 °C ... 60 °C (for a short time, not exceeding 24 h, -60 °C to +70 °C)
Ambient temperature (assembly)	-5 °C ... 70 °C
Ambient temperature (actuation)	-5 °C ... 70 °C
Permissible humidity (operation)	20 % ... 90 %
Permissible humidity (storage/transport)	30 % ... 70 %

Mounting

Mounting type	NS 35/7,5
	NS 35/15

PTME 6-SET POWER - Starter kit

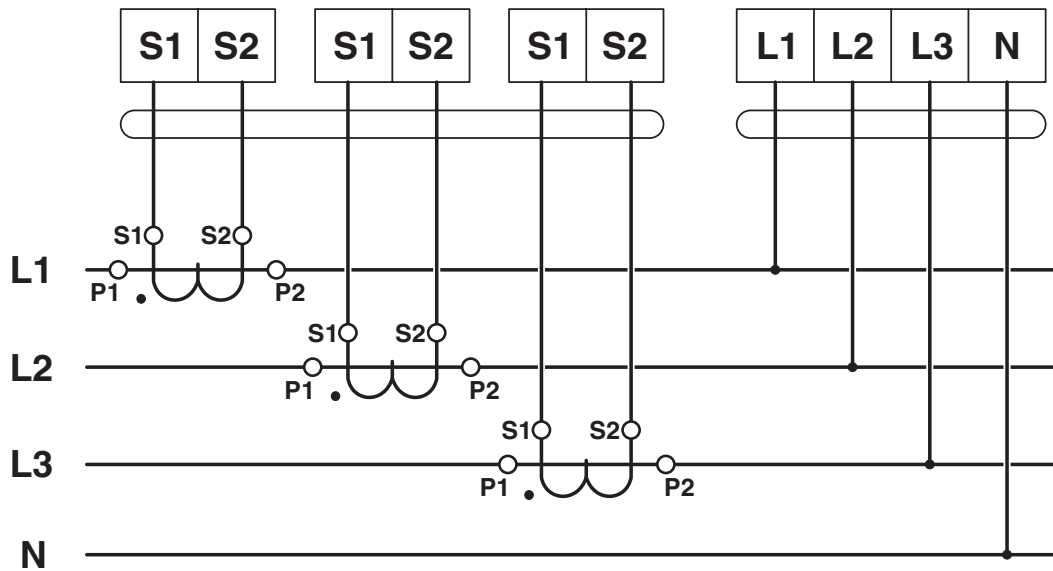


3035991

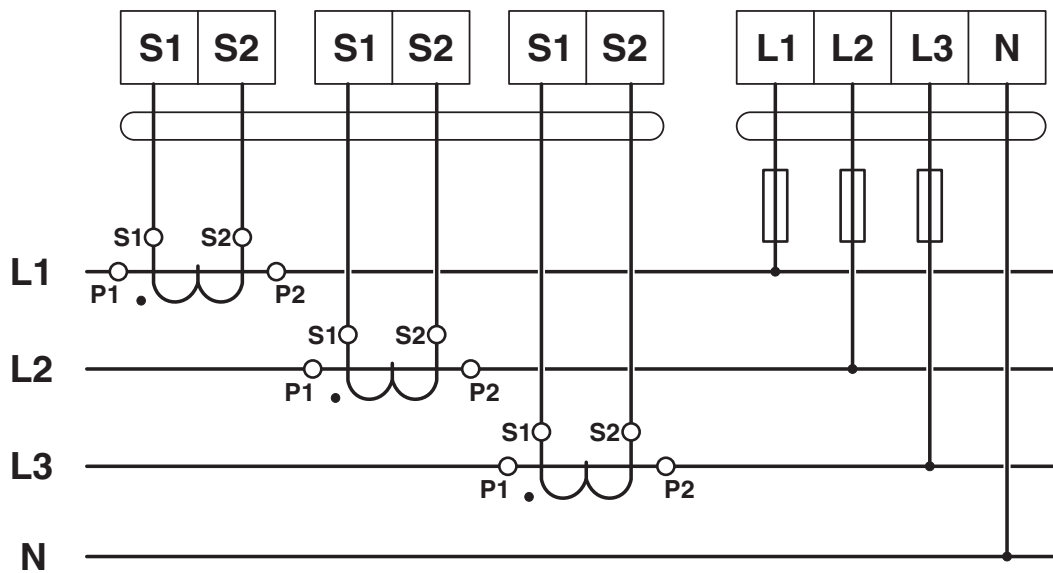
<https://www.phoenixcontact.com/us/products/3035991>

Drawings

Circuit diagram



Circuit diagram



PTME 6-SET POWER - Starter kit



3035991

<https://www.phoenixcontact.com/us/products/3035991>

Approvals

🔗 To download certificates, visit the product detail page: <https://www.phoenixcontact.com/us/products/3035991>



EAC

Approval ID: RU C-DE.BL08.B.00644



EAC

Approval ID: KZ7500651131219505

PTME 6-SET POWER - Starter kit



3035991

<https://www.phoenixcontact.com/us/products/3035991>

Classifications

ECLASS

ECLASS-13.0	27250109
ECLASS-15.0	27250109

ETIM

ETIM 10.0	EC000902
-----------	----------

UNSPSC

UNSPSC 21.0	39121400
-------------	----------

PTME 6-SET POWER - Starter kit



3035991

<https://www.phoenixcontact.com/us/products/3035991>

Environmental product compliance

EU RoHS

Fulfills EU RoHS substance requirements	Yes, No exemptions
---	--------------------

China RoHS

Environment friendly use period (EFUP)	EFUP-E
	No hazardous substances above the limits

EU REACH SVHC

REACH candidate substance (CAS No.)	No substance above 0.1 wt%
-------------------------------------	----------------------------

Phoenix Contact 2026 © - all rights reserved
<https://www.phoenixcontact.com>

Phoenix Contact USA
586 Fulling Mill Road
Middletown, PA 17057, United States
(+717) 944-1300
info@phoenixcon.com