

DTMED 6-PE - Protective conductor terminal block



3034497

<https://www.phoenixcontact.com/us/products/3034497>

Please be informed that the data shown in this PDF document is generated from our online catalog. Please find the complete data in the user documentation. Our general terms of use for downloads are valid.



Protective conductor terminal block, number of connections: 2, connection method: Leg spring connection, cross section: 0.5 mm² - 10 mm², mounting type: NS 35/7,5, NS 35/15, color: green-yellow

Commercial data

Item number	3034497
Packing unit	1 pc
Note	Made to order (non-returnable)
Sales key	BE22
Product key	BE2233
GTIN	4046356182843
Weight per piece (including packing)	29.54 g
Weight per piece (excluding packing)	27.2 g
Customs tariff number	85369010
Country of origin	PL

DTMED 6-PE - Protective conductor terminal block



3034497

<https://www.phoenixcontact.com/us/products/3034497>

Technical data

Product properties

Product type	Ground terminal block
Number of connections	2
Number of rows	1

Insulation characteristics

Overvoltage category	III
Degree of pollution	3

Electrical properties

Rated surge voltage	8 kV
---------------------	------

Connection data

Grounding foot	Yes
Number of connections per level	2
Nominal cross section	6 mm ²
Connection method	Leg spring connection
Note	Please observe the current carrying capacity of the DIN rails.
Stripping length	12 mm
Internal cylindrical gage	A5
Connection in acc. with standard	IEC 60947-7-2
Conductor cross-section rigid	0.5 mm ² ... 10 mm ²
Cross section AWG	20 ... 8 (converted acc. to IEC)
Conductor cross-section flexible	0.5 mm ² ... 6 mm ²
Conductor cross-section, flexible [AWG]	20 ... 8 (converted acc. to IEC)
Conductor cross-section flexible (ferrule without plastic sleeve)	0.5 mm ² ... 6 mm ²
Flexible conductor cross-section (ferrule with plastic sleeve)	0.5 mm ² ... 6 mm ²
2 conductors with the same cross section, flexible, with TWIN ferrule with plastic sleeve	...

Connection cross sections directly pluggable

Conductor cross-section rigid	0.5 mm ² ... 10 mm ²
Conductor cross-section flexible (ferrule without plastic sleeve)	0.5 mm ² ... 6 mm ²
Flexible conductor cross-section (ferrule with plastic sleeve)	0.5 mm ² ... 6 mm ²

Dimensions

Width	8.2 mm
Height	49.6 mm

Material specifications

Color	green-yellow
Flammability rating according to UL 94	V0
Insulating material group	I

DTMED 6-PE - Protective conductor terminal block



3034497

<https://www.phoenixcontact.com/us/products/3034497>

Insulating material	PA
Static insulating material application in cold	-60 °C
Temperature index of insulation material (DIN EN 60216-1 (VDE 0304-21))	130 °C
Relative insulation material temperature index (Elec., UL 746 B)	130 °C
Fire protection for rail vehicles (DIN EN 45545-2) R22	HL 1 - HL 3
Fire protection for rail vehicles (DIN EN 45545-2) R23	HL 1 - HL 3
Fire protection for rail vehicles (DIN EN 45545-2) R24	HL 1 - HL 3
Fire protection for rail vehicles (DIN EN 45545-2) R26	HL 1 - HL 3
Calorimetric heat release NFPA 130 (ASTM E 1354)	28 MJ/kg
Surface flammability NFPA 130 (ASTM E 162)	passed
Specific optical density of smoke NFPA 130 (ASTM E 662)	passed
Smoke gas toxicity NFPA 130 (SMP 800C)	passed

Mechanical properties

Mechanical data

Open side panel	Yes
-----------------	-----

Environmental and real-life conditions

Oscillation/broadband noise

Specification	DIN EN 50155 (VDE 0115-200):2008-03
Spectrum	Long life test category 2, bogie-mounted
Frequency	$f_1 = 5 \text{ Hz}$ to $f_2 = 250 \text{ Hz}$
ASD level	6.12 (m/s ²)/Hz
Acceleration	3.12g
Test duration per axis	5 h
Test directions	X-, Y- and Z-axis
Result	Test passed

Shocks

Specification	DIN EN 50155 (VDE 0115-200):2008-03
Pulse shape	Half-sine
Acceleration	30g
Shock duration	18 ms
Number of shocks per direction	3
Test directions	X-, Y- and Z-axis (pos. and neg.)
Result	Test passed

Standards and regulations

Connection in acc. with standard	IEC 60947-7-2
----------------------------------	---------------

Mounting

Mounting type	NS 35/7,5
	NS 35/15

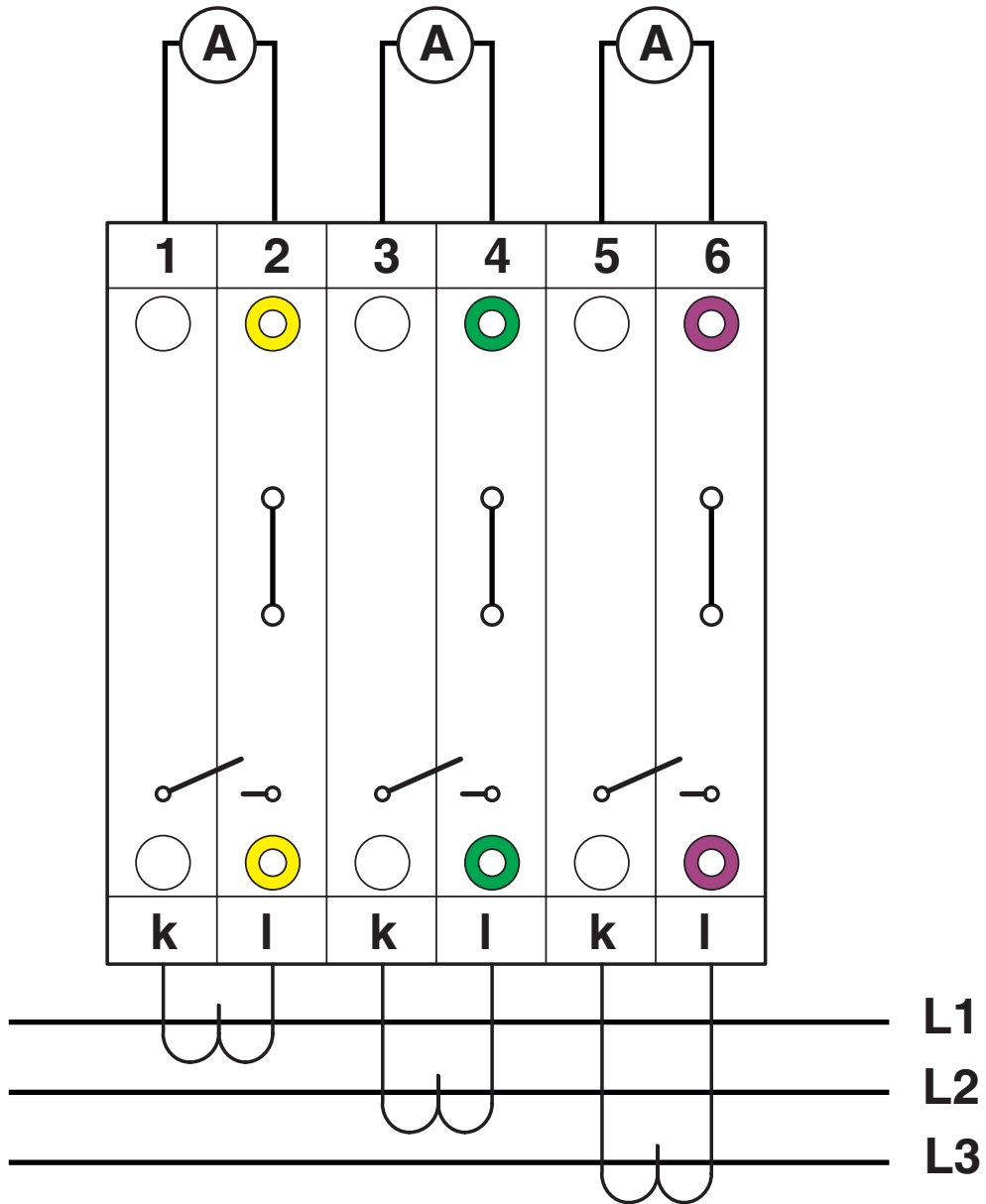
DTMED 6-PE - Protective conductor terminal block

3034497

<https://www.phoenixcontact.com/us/products/3034497>

Drawings

Connection diagram



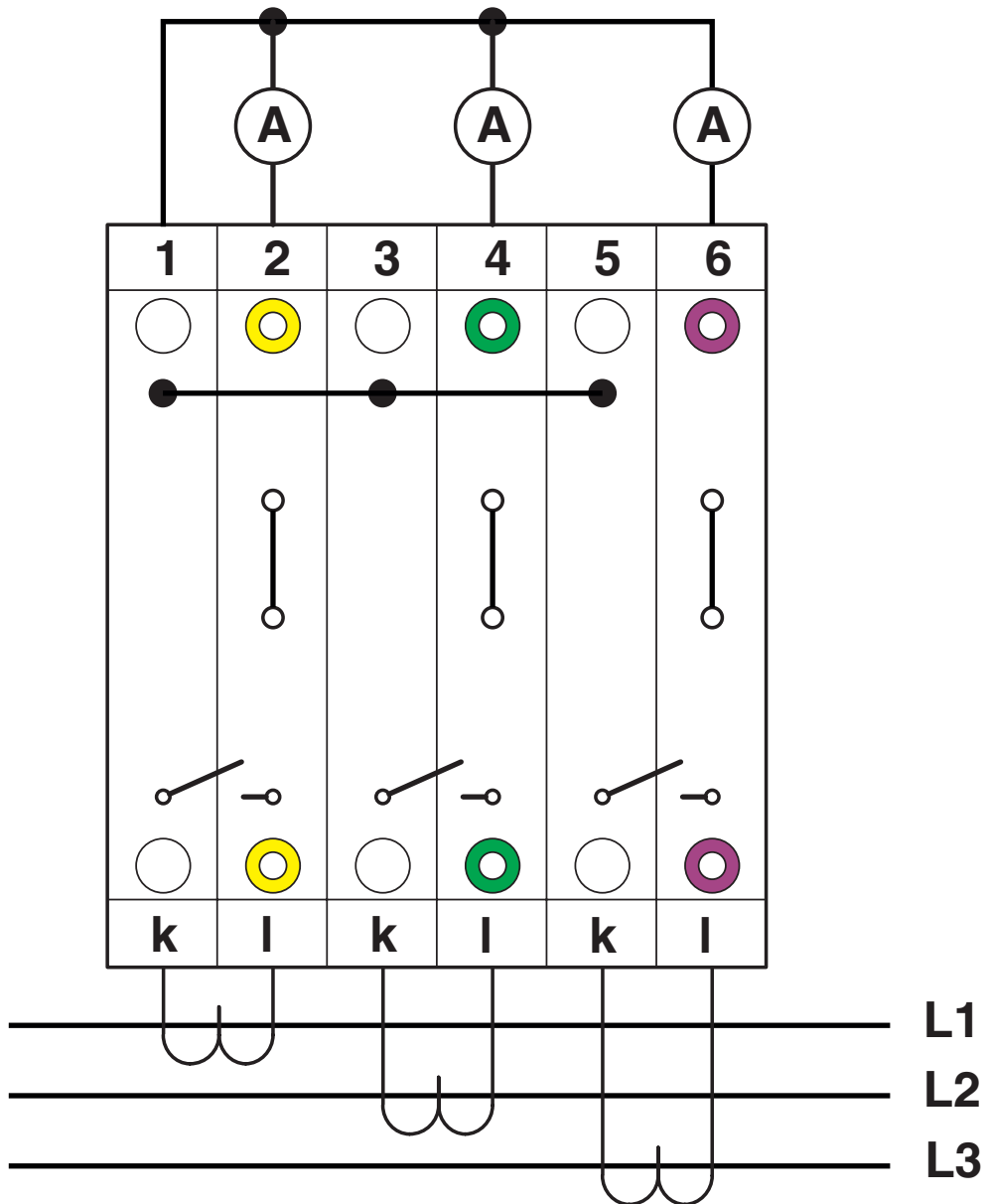
DTMED 6-PE - Protective conductor terminal block

3034497

<https://www.phoenixcontact.com/us/products/3034497>



Connection diagram

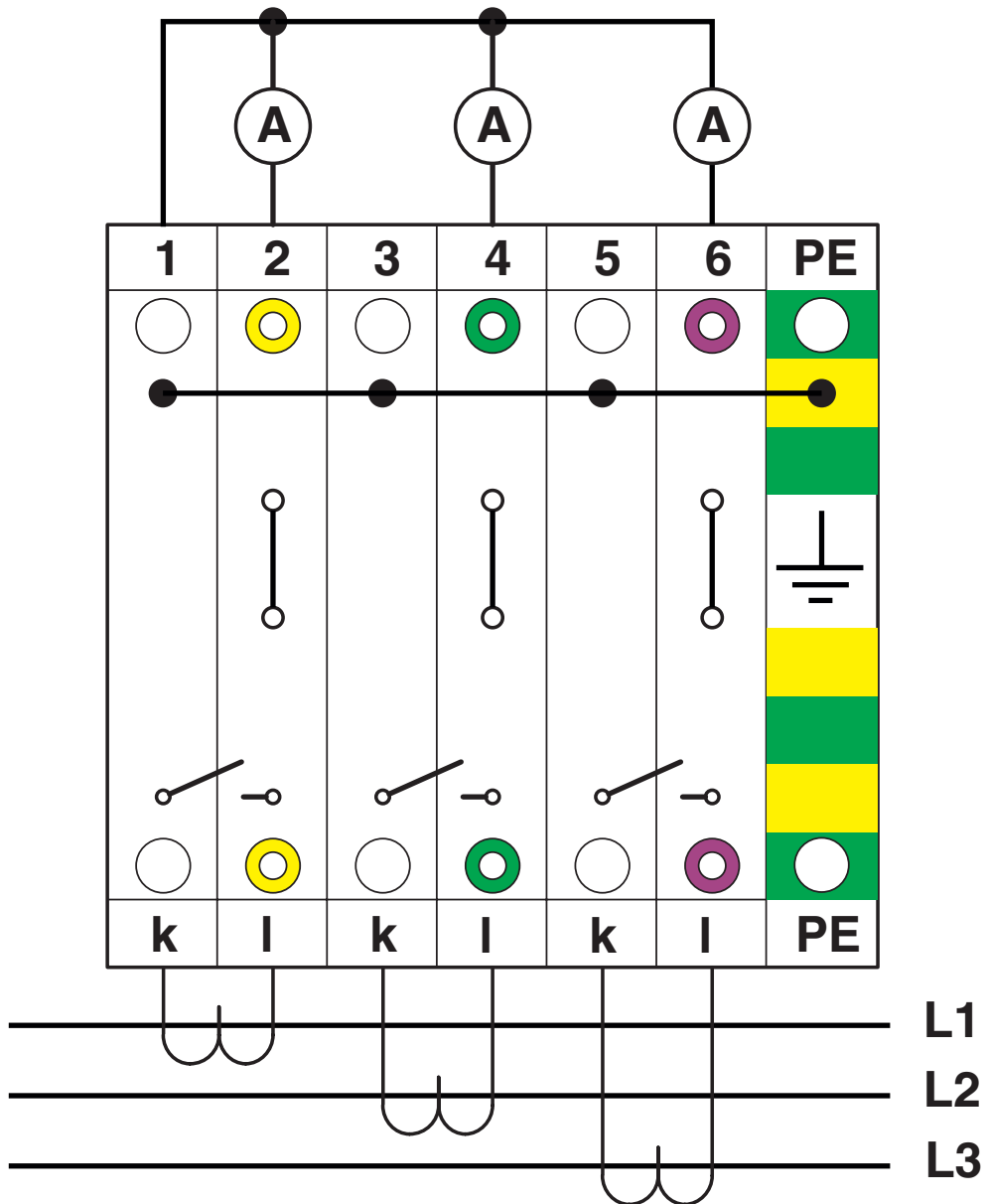


DTMED 6-PE - Protective conductor terminal block

3034497

<https://www.phoenixcontact.com/us/products/3034497>

Connection diagram



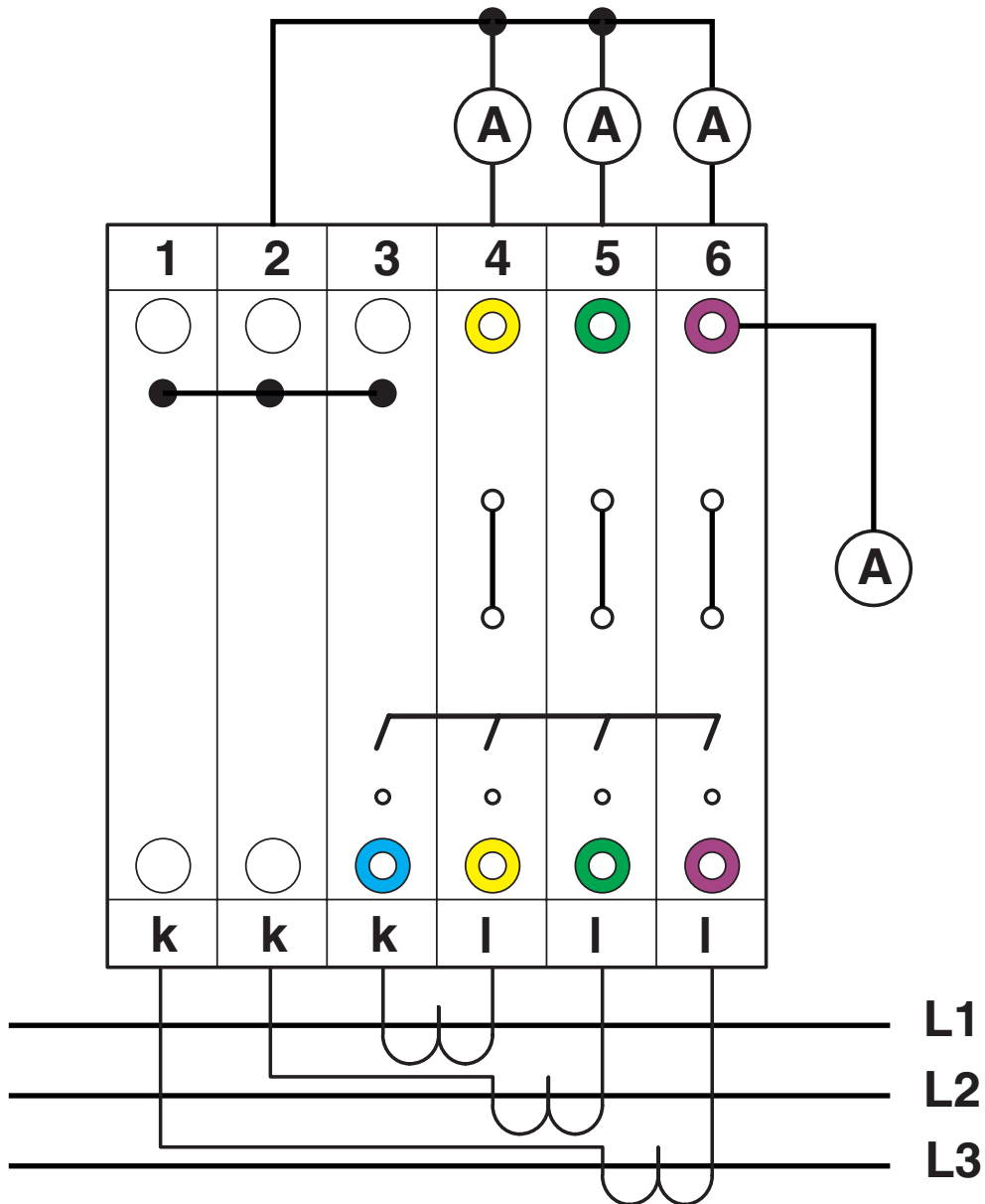
with PE terminals having the same contours

DTMED 6-PE - Protective conductor terminal block

3034497

<https://www.phoenixcontact.com/us/products/3034497>

Connection diagram



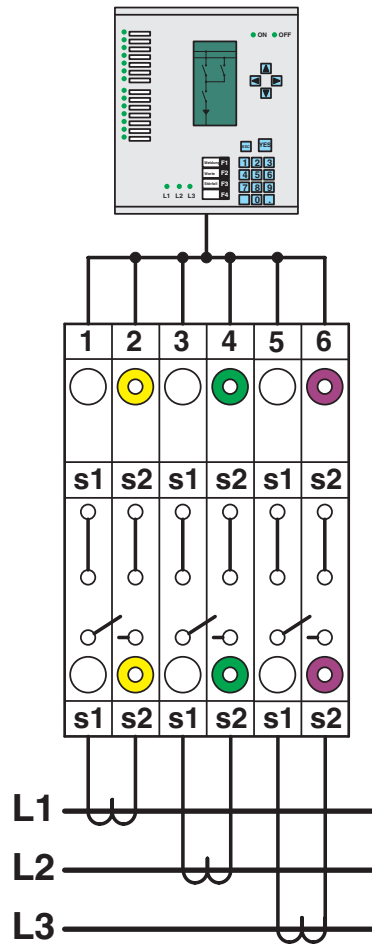
phase to phase

DTMED 6-PE - Protective conductor terminal block

3034497

<https://www.phoenixcontact.com/us/products/3034497>

Schematic diagram



Simple three-phase current transformer set

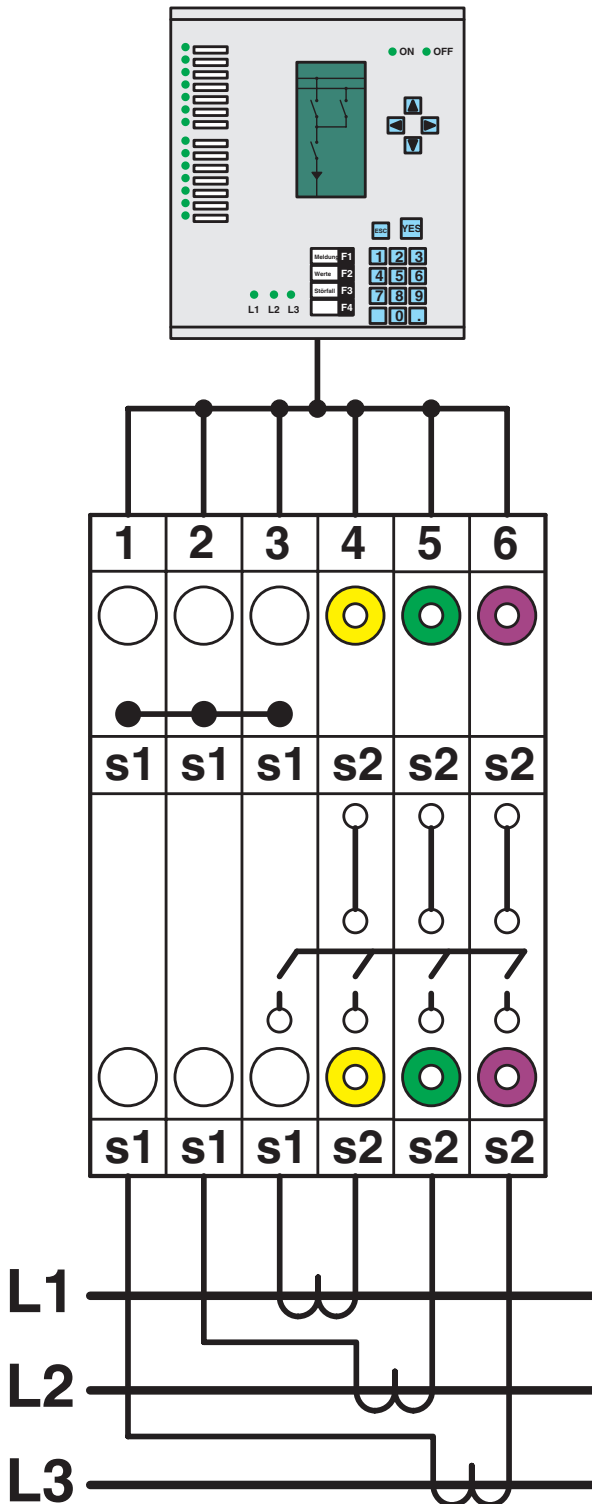
DTMED 6-PE - Protective conductor terminal block



3034497

<https://www.phoenixcontact.com/us/products/3034497>

Schematic diagram



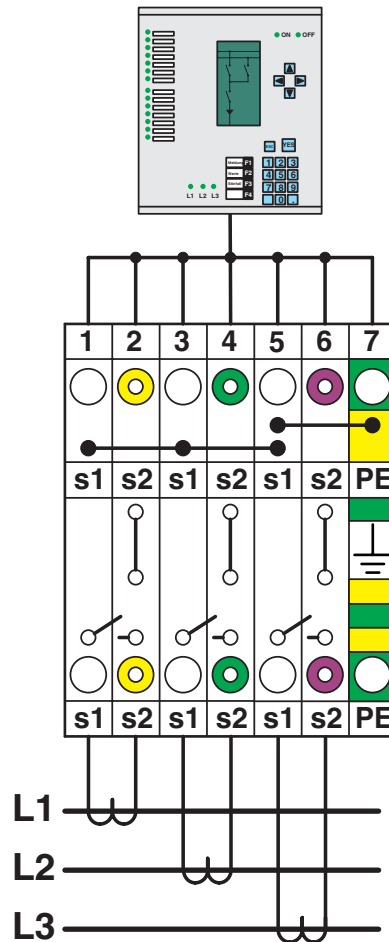
Interlinked three-phase current transformer set

DTMED 6-PE - Protective conductor terminal block

3034497

<https://www.phoenixcontact.com/us/products/3034497>

Schematic diagram



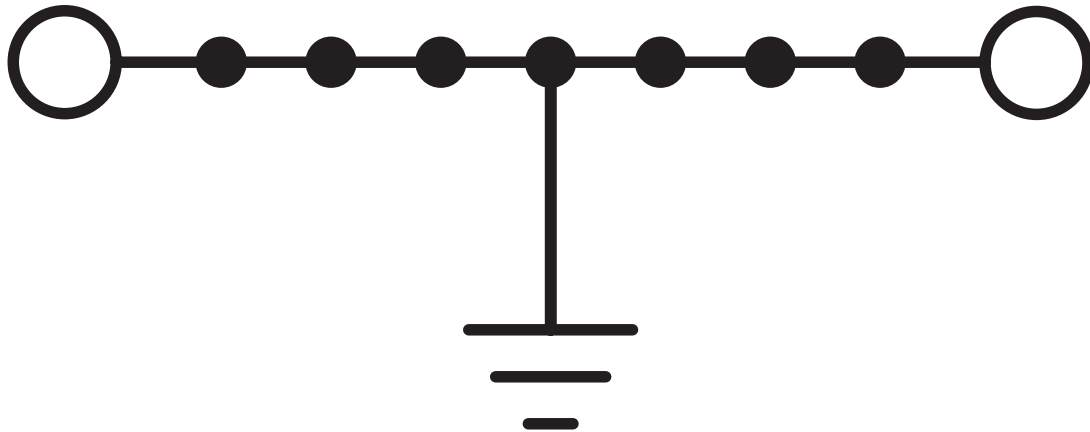
Interlinked three-phase current transformer set with grounded star point

DTMED 6-PE - Protective conductor terminal block

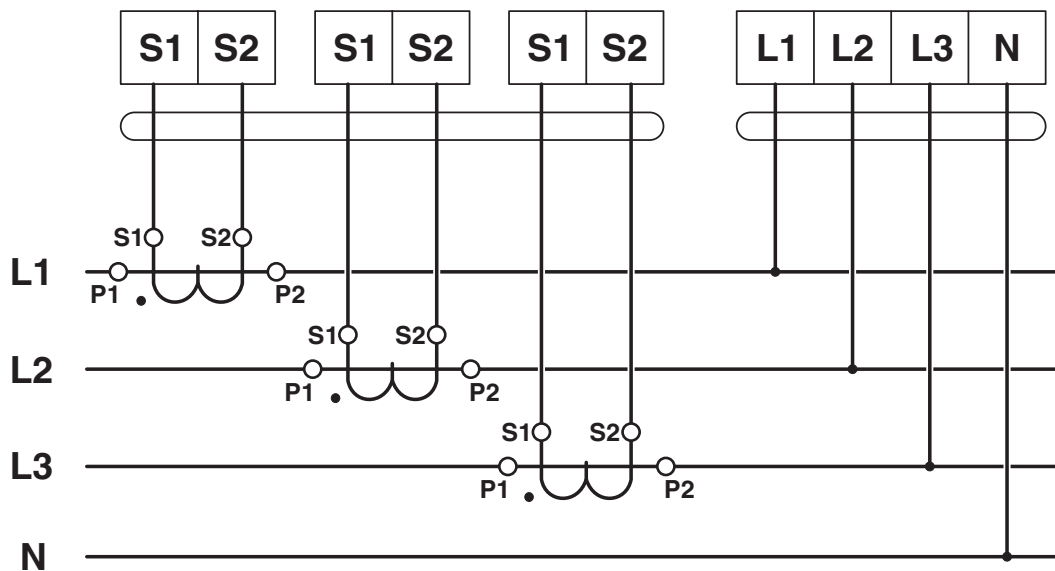
3034497

<https://www.phoenixcontact.com/us/products/3034497>

Circuit diagram



Circuit diagram



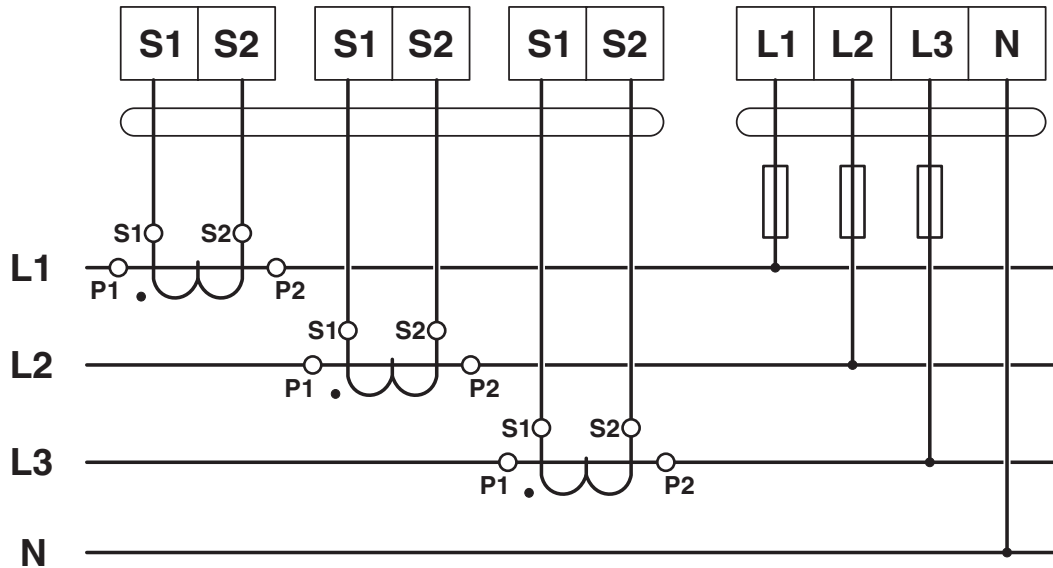
DTMED 6-PE - Protective conductor terminal block



3034497

<https://www.phoenixcontact.com/us/products/3034497>

Circuit diagram

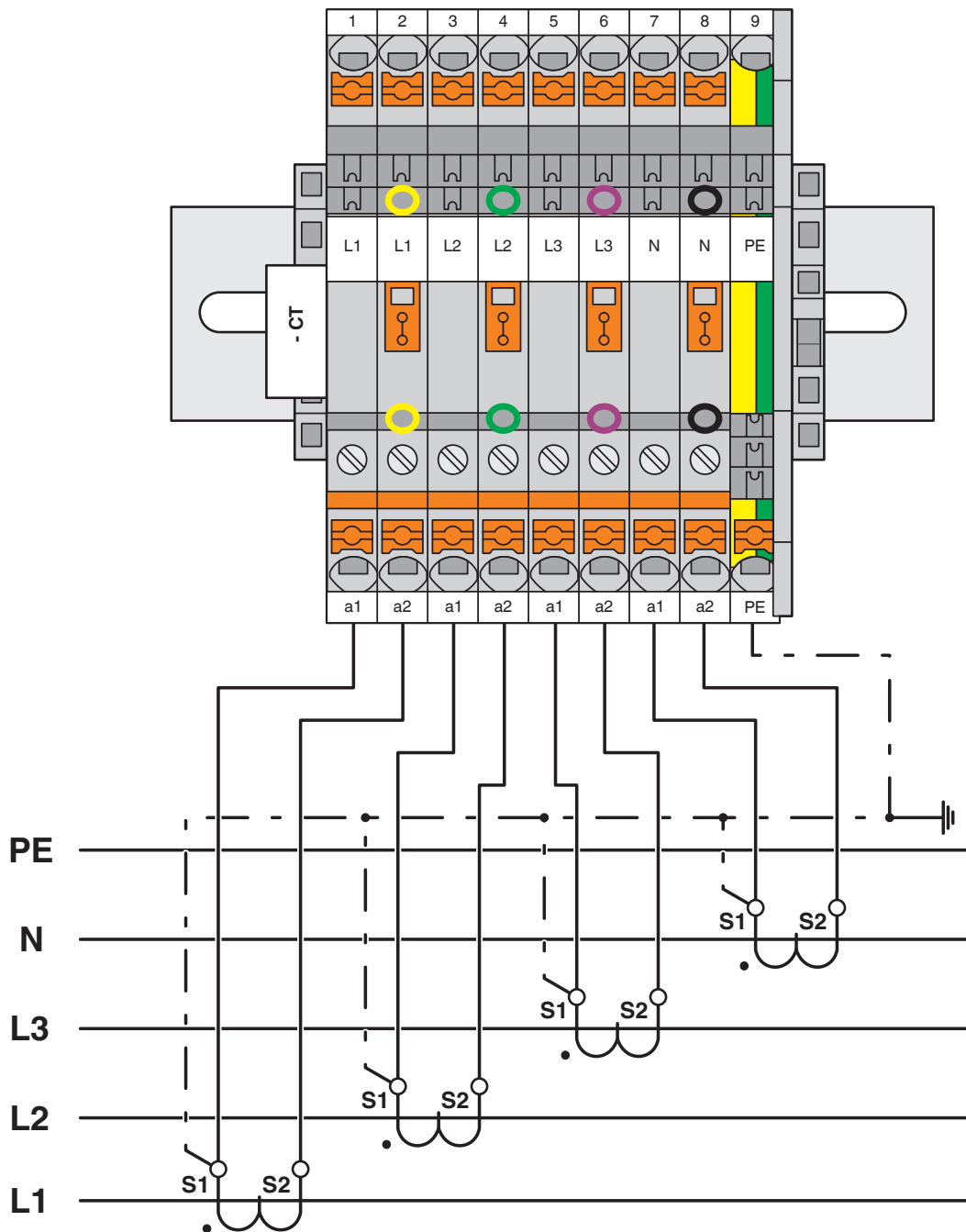


DTMED 6-PE - Protective conductor terminal block

3034497

<https://www.phoenixcontact.com/us/products/3034497>

Circuit diagram

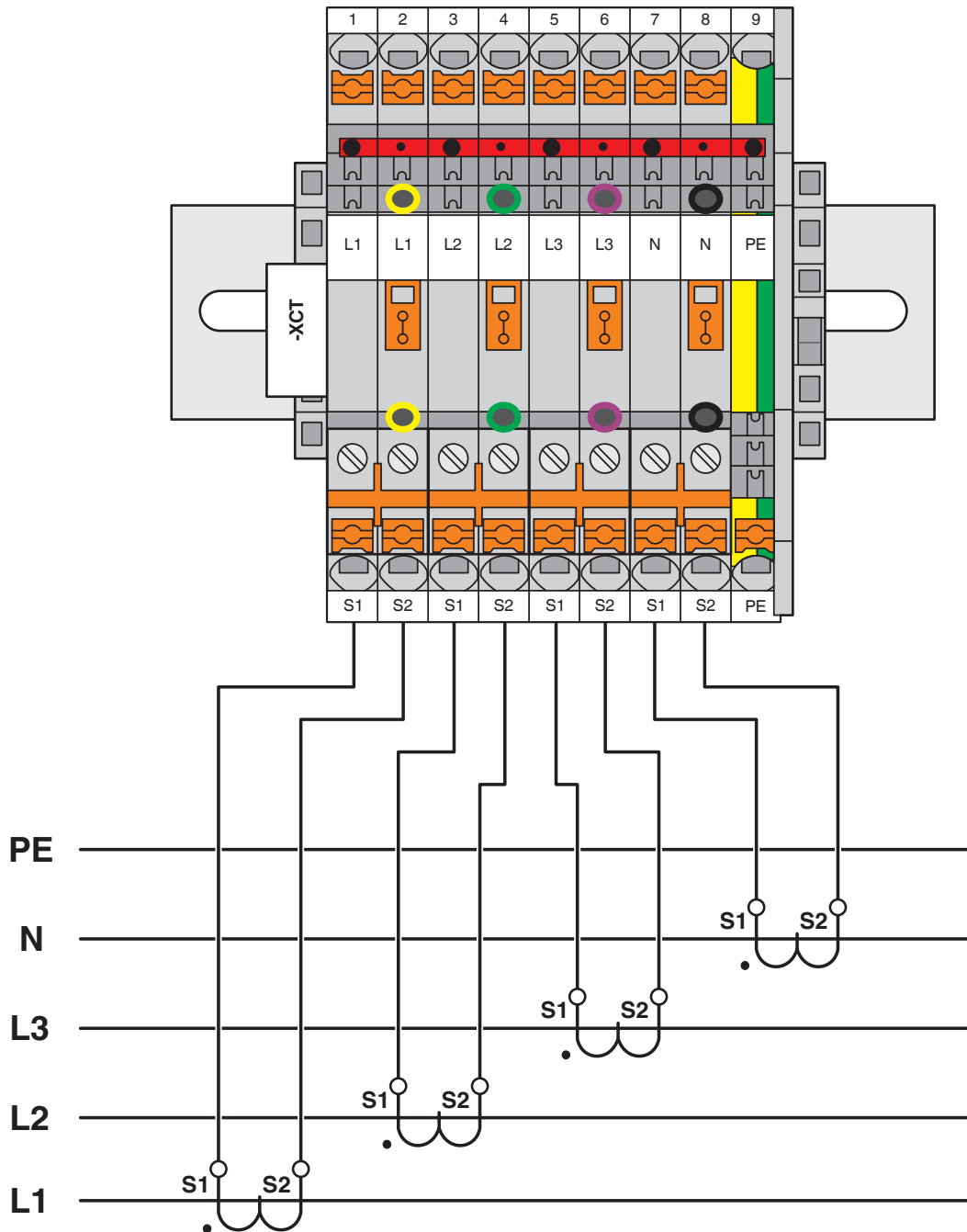


DTMED 6-PE - Protective conductor terminal block

3034497

<https://www.phoenixcontact.com/us/products/3034497>

Circuit diagram



DTMED 6-PE - Protective conductor terminal block



3034497

<https://www.phoenixcontact.com/us/products/3034497>

Environmental product compliance

EU RoHS

Fulfills EU RoHS substance requirements	Yes, No exemptions
---	--------------------

China RoHS

Environment friendly use period (EFUP)	EFUP-E
	No hazardous substances above the limits

EU REACH SVHC

REACH candidate substance (CAS No.)	No substance above 0.1 wt%
-------------------------------------	----------------------------

Phoenix Contact 2026 © - all rights reserved
<https://www.phoenixcontact.com>

Phoenix Contact USA
586 Fulling Mill Road
Middletown, PA 17057, United States
(+717) 944-1300
info@phoenixcon.com