

AP 2-TU KS - Cover profile carrier

3034372

<https://www.phoenixcontact.com/us/products/3034372>

Please be informed that the data shown in this PDF document is generated from our online catalog. Please find the complete data in the user documentation. Our general terms of use for downloads are valid.



Sealable cover profile, for mounting on NS 35/7,5 DIN rail and for fixing the cover profile AP 2, with plastic knurled nut M5, space requirement: 2 mm

Your advantages

- Cover profiles provide protection against unauthorized actuation of terminal strips

Commercial data

Item number	3034372
Packing unit	10 pc
Minimum order quantity	10 pc
Sales key	BE06
Product key	BE61ZX
GTIN	4055626275550
Weight per piece (including packing)	7.6 g
Weight per piece (excluding packing)	6.7 g
Customs tariff number	39269097
Country of origin	DE

AP 2-TU KS - Cover profile carrier

3034372

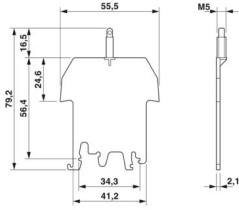
<https://www.phoenixcontact.com/us/products/3034372>

Technical data

Product properties

Product type	Cover profile carrier
--------------	-----------------------

Dimensions

Dimensional drawing	
Width	2 mm
Height	55.5 mm
Depth	79.2 mm
Depth on NS 35/7,5	80.4 mm
Depth on NS 35/15	87.9 mm
Length	55.5 mm

Material specifications

Color	gray (RAL 7042)
Material	PA
Flammability rating according to UL 94	V0

Environmental and real-life conditions

Ambient conditions

Ambient temperature (operation)	-60 °C ... 105 °C (max. short-term operating temperature RTI Elec.)
Ambient temperature (storage/transport)	-25 °C ... 60 °C (for a short time, not exceeding 24 h, -60 °C to +70 °C)
Ambient temperature (assembly)	-5 °C ... 70 °C
Ambient temperature (actuation)	-5 °C ... 70 °C
Permissible humidity (storage/transport)	30 % ... 70 %

Mounting

Mounting type	NS 32
	NS 35/7,5
	NS 35/15
	NS 35/15-2,3
	NS 35/15 CU

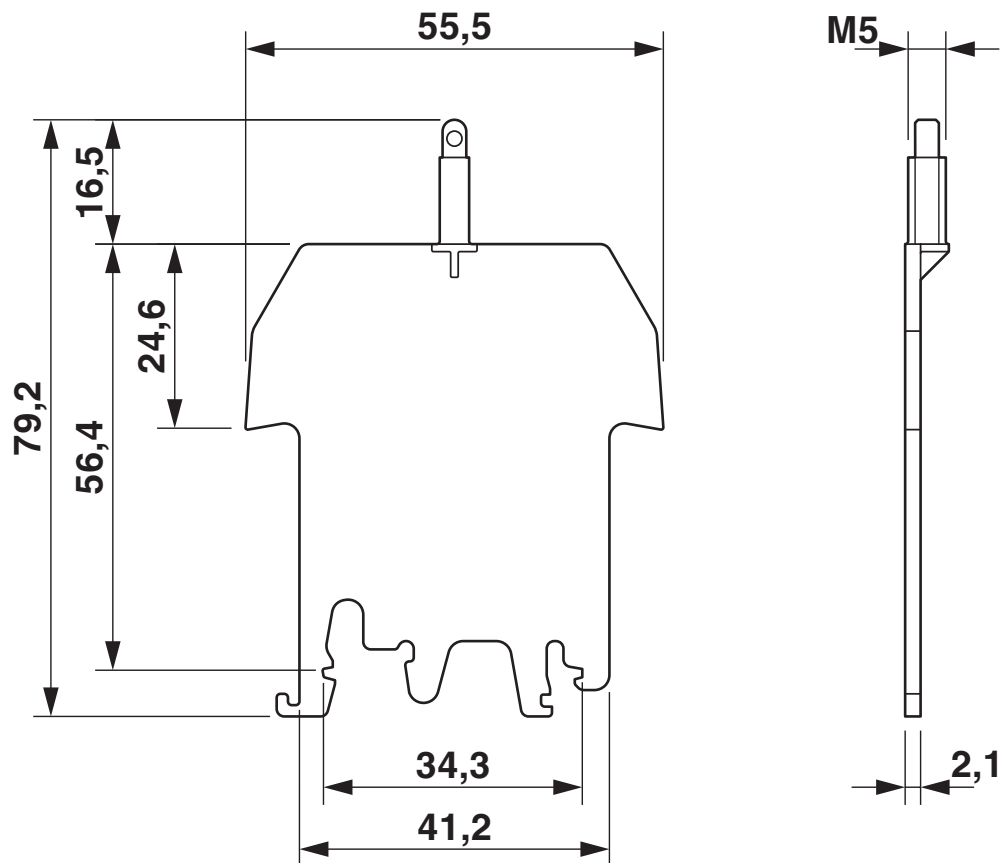
AP 2-TU KS - Cover profile carrier

3034372

<https://www.phoenixcontact.com/us/products/3034372>

Drawings

Dimensional drawing



AP 2-TU KS - Cover profile carrier



3034372

<https://www.phoenixcontact.com/us/products/3034372>

Classifications

ECLASS

ECLASS-15.0	27250302
ECLASS-13.0	27141190

ETIM

ETIM 10.0	EC001041
-----------	----------

UNSPSC

UNSPSC 21.0	39121400
-------------	----------

AP 2-TU KS - Cover profile carrier



3034372

<https://www.phoenixcontact.com/us/products/3034372>

Environmental product compliance

EU RoHS

Fulfills EU RoHS substance requirements	Yes, No exemptions
---	--------------------

China RoHS

Environment friendly use period (EFUP)	EFUP-E
	No hazardous substances above the limits

EU REACH SVHC

REACH candidate substance (CAS No.)	No substance above 0.1 wt%
-------------------------------------	----------------------------

EF3.1 Climate Change

CO2e kg	0.064 kg CO2e
---------	---------------

Phoenix Contact 2026 © - all rights reserved
<https://www.phoenixcontact.com>

Phoenix Contact USA
586 Fulling Mill Road
Middletown, PA 17057, United States
(+717) 944-1300
info@phoenixcon.com