

Please be informed that the data shown in this PDF document is generated from our online catalog. Please find the complete data in the user documentation. Our general terms of use for downloads are valid.



Cover profile, for covering terminal strips, snapped onto APT-ME cover profile carrier or APH-ME end bracket. A cover profile carrier should be positioned at the ends and at intervals of around 40 cm. Length supplied: 1 m

Your advantages

- The cover can be securely snapped onto the corresponding APH-ME end brackets and sealed as an option
- Cover profiles provide protection against unauthorized actuation of terminal strips
- This profile has been specially adapted to the shape of the test disconnect terminal blocks

Commercial data

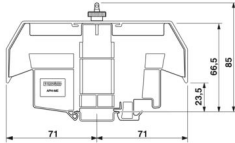
Item number	3034361
Packing unit	10 pc
Minimum order quantity	10 pc
Sales key	BE06
Product key	BE61ZX
GTIN	4046356316774
Weight per piece (including packing)	540 g
Weight per piece (excluding packing)	540 g
Customs tariff number	39162000
Country of origin	DE

Technical data

Product properties

Product type	Cover profile
--------------	---------------

Dimensions

Dimensional drawing	
Width	142 mm
Height	1000 mm
Depth	48.4 mm
Length	1000 mm

Material specifications

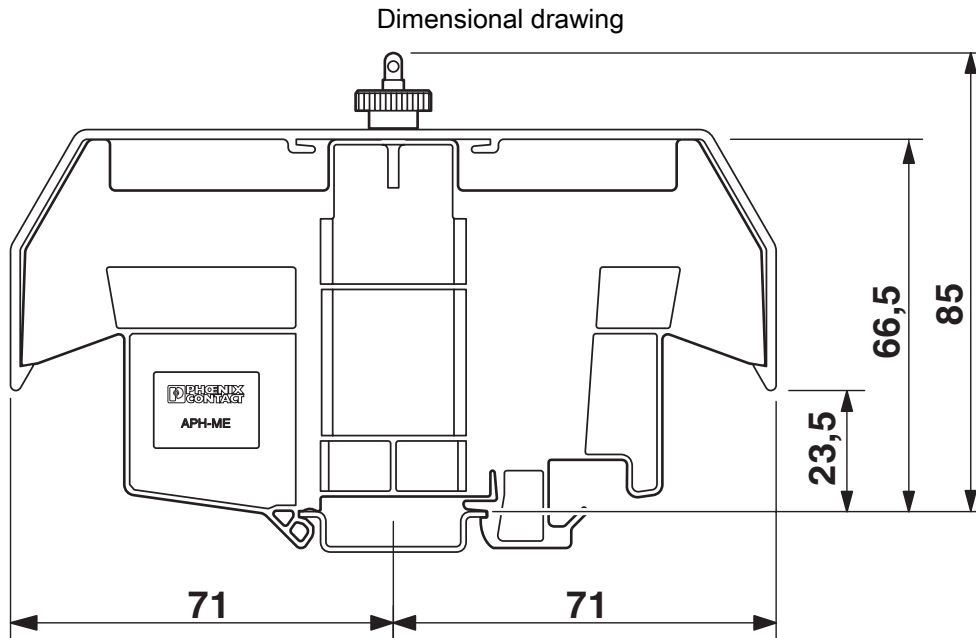
Color	transparent
Material	PVC
Flammability rating according to UL 94	V0

Environmental and real-life conditions

Ambient conditions

Ambient temperature (operation)	-15 °C ... 65 °C
---------------------------------	------------------

Drawings



3034361

<https://www.phoenixcontact.com/us/products/3034361>

Classifications

ECLASS

ECLASS-15.0	27250190
ECLASS-13.0	27141190

ETIM

ETIM 10.0	EC002848
-----------	----------

UNSPSC

UNSPSC 21.0	39121400
-------------	----------

Environmental product compliance

EU RoHS

Fulfills EU RoHS substance requirements	Yes, No exemptions
---	--------------------

China RoHS

Environment friendly use period (EFUP)	EFUP-E
	No hazardous substances above the limits

EU REACH SVHC

REACH candidate substance (CAS No.)	No substance above 0.1 wt%
-------------------------------------	----------------------------