

AP-ME CM - Cover profile

3034345

<https://www.phoenixcontact.com/us/products/3034345>

Please be informed that the data shown in this PDF document is generated from our online catalog. Please find the complete data in the user documentation. Our general terms of use for downloads are valid.



Cover profile for covering terminal strips, snaps onto cover profile carrier APT-ME or end clamp APH-ME. A cover profile carrier is to be positioned at the ends and at intervals of around 40 cm. Length as per customer requirement.

Your advantages

- The cover can be securely snapped onto the corresponding APH-ME end brackets and sealed as an option
- Cover profiles provide protection against unauthorized actuation of terminal strips
- This profile has been specially adapted to the shape of the test disconnect terminal blocks

Commercial data

Item number	3034345
Packing unit	1 pc
Minimum order quantity	1 pc
Note	Made to order (non-returnable)
Sales key	BH84
Product key	BH8412
Customs tariff number	39169010
Country of origin	DE

AP-ME CM - Cover profile

3034345

<https://www.phoenixcontact.com/us/products/3034345>

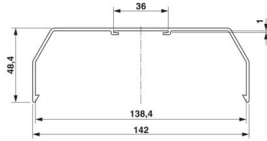


Technical data

Product properties

Product type	Cover profile
--------------	---------------

Dimensions

Dimensional drawing	
Width	1 m
Height	50 mm
Length	140 mm

Material specifications

Color	transparent
Material	PVC
Flammability rating according to UL 94	V0

Environmental and real-life conditions

Ambient conditions

Ambient temperature (operation)	-15 °C ... 65 °C
---------------------------------	------------------

AP-ME CM - Cover profile

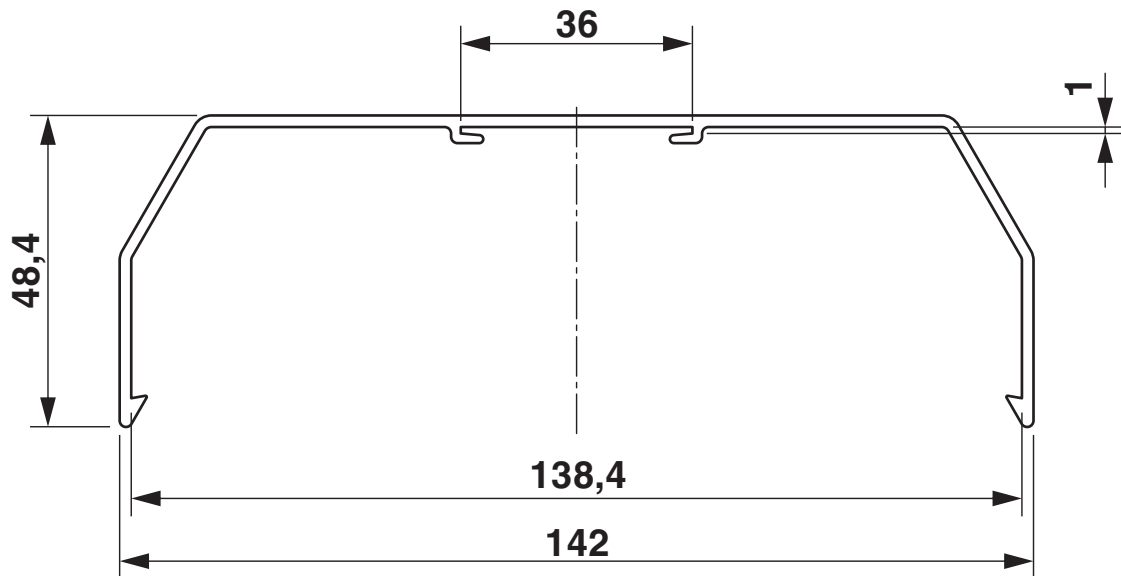
3034345

<https://www.phoenixcontact.com/us/products/3034345>



Drawings

Dimensional drawing



AP-ME CM - Cover profile

3034345

<https://www.phoenixcontact.com/us/products/3034345>



Classifications

ECLASS

ECLASS-15.0	27141190
ECLASS-13.0	27141190

ETIM

ETIM 10.0	EC002848
-----------	----------

UNSPSC

UNSPSC 21.0	39121400
-------------	----------

AP-ME CM - Cover profile



3034345

<https://www.phoenixcontact.com/us/products/3034345>

Environmental product compliance

EU RoHS

Fulfills EU RoHS substance requirements	Yes, No exemptions
---	--------------------

China RoHS

Environment friendly use period (EFUP)	EFUP-E
	No hazardous substances above the limits

EU REACH SVHC

REACH candidate substance (CAS No.)	No substance above 0.1 wt%
-------------------------------------	----------------------------

Phoenix Contact 2026 © - all rights reserved
<https://www.phoenixcontact.com>

Phoenix Contact USA
586 Fulling Mill Road
Middletown, PA 17057, United States
(+717) 944-1300
info@phoenixcon.com