

ZTRK 4 OG - Transformer terminal block

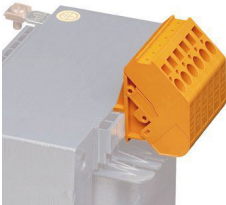


3029305

<https://www.phoenixcontact.com/us/products/3029305>

Please be informed that the data shown in this PDF document is generated from our online catalog. Please find the complete data in the user documentation. Our general terms of use for downloads are valid.

Spring-cage transformer terminal block, with solder connection, color: orange



Commercial data

| | |
|--------------------------------------|--------------------------------|
| Item number | 3029305 |
| Packing unit | 50 pc |
| Minimum order quantity | 50 pc |
| Note | Made to order (non-returnable) |
| Sales key | AA18 |
| Product key | AARABE |
| GTIN | 4017918193263 |
| Weight per piece (including packing) | 5.52 g |
| Weight per piece (excluding packing) | 5.468 g |
| Customs tariff number | 85369010 |
| Country of origin | PL |

ZTRK 4 OG - Transformer terminal block

3029305

<https://www.phoenixcontact.com/us/products/3029305>

Technical data

Product properties

| | |
|-----------------------|----------------------------|
| Product type | Distributor terminal block |
| Number of positions | 4 |
| Number of connections | 2 |

Insulation characteristics

| | |
|----------------------|-----|
| Overvoltage category | III |
| Degree of pollution | 3 |

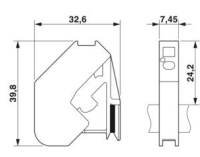
Electrical properties

| | |
|----------------------|---|
| Maximum load current | 32 A (with 4 mm ² conductor cross-section) |
| Rated surge voltage | 6 kV |

Connection data

| | |
|---|---|
| Maximum load current | 32 A (with 4 mm ² conductor cross-section) |
| Connection method | Spring-cage connection |
| Stripping length | 12 mm 12 mm |
| Internal cylindrical gage | A4 |
| Connection in acc. with standard | IEC / EN |
| Conductor cross-section rigid | 0.2 mm ² ... 4 mm ² |
| Cross section AWG | 24 ... 10 (converted acc. to IEC) |
| Conductor cross-section flexible | 0.2 mm ² ... 4 mm ² |
| Conductor cross-section flexible (ferrule without plastic sleeve) | 0.25 mm ² ... 4 mm ² |
| Flexible conductor cross-section (ferrule with plastic sleeve) | 0.25 mm ² ... 4 mm ² |
| 2 conductors with the same cross section, flexible, with TWIN ferrule with plastic sleeve | 0.5 mm ² ... 1 mm ² |
| Nominal current | 32 A |
| Maximum load current | 32 A |
| Nominal voltage | 600 V |

Dimensions

| | |
|---------------------|--|
| Dimensional drawing |  |
| Width | 7.5 mm |
| Height | 39.8 mm |
| Length | 32.6 mm |

Material specifications

ZTRK 4 OG - Transformer terminal block



3029305

<https://www.phoenixcontact.com/us/products/3029305>

| | |
|---|-------------------|
| Color (Housing) | orange (RAL 2003) |
| Flammability rating according to UL 94 | V0 |
| Insulating material group | III |
| Insulating material | PA |
| Temperature index of insulation material (DIN EN 60216-1 (VDE 0304-21)) | 120 °C |
| Relative insulation material temperature index (Elec., UL 746 B) | 130 °C |

Electrical tests

Surge voltage test

| | |
|-----------------------|-------------|
| Test voltage setpoint | 6 kV |
| Result | Test passed |

Temperature-rise test

| | |
|--|-------------------------------------|
| Requirement temperature-rise test | Increase in temperature ≤ 45 K |
| Result | Test passed |
| Short-time withstand current 4 mm ² | 0.48 kA |
| Result | Test passed |

Power-frequency withstand voltage

| | |
|-----------------------|-------------|
| Test voltage setpoint | 1.89 kV |
| Result | Test passed |

Mechanical tests

Mechanical strength

| | |
|--------|-------------|
| Result | Test passed |
|--------|-------------|

Attachment on the carrier

| | |
|-------------------------|-------------------------------|
| DIN rail/fixing support | TRS-AL 2/10 resp. TRS-AL 2/35 |
| Test force setpoint | 1 N |
| Result | Test passed |

Test for conductor damage and slackening

| | |
|--------------------------------|------------------------------|
| Rotation speed | 10 rpm |
| Revolutions | 135 |
| Conductor cross-section/weight | 0.2 mm ² / 0.2 kg |
| | 4 mm ² / 0.9 kg |
| Result | Test passed |

Environmental and real-life conditions

Aging

| | |
|--------------------|-------------|
| Temperature cycles | 192 |
| Result | Test passed |

Needle-flame test

ZTRK 4 OG - Transformer terminal block



3029305

<https://www.phoenixcontact.com/us/products/3029305>

| | |
|------------------|-------------|
| Time of exposure | 30 s |
| Result | Test passed |

Standards and regulations

| | |
|----------------------------------|----------|
| Connection in acc. with standard | IEC / EN |
|----------------------------------|----------|

Packaging specifications

| | |
|-------------------|---------------------|
| Type of packaging | packed in cardboard |
|-------------------|---------------------|

ZTRK 4 OG - Transformer terminal block

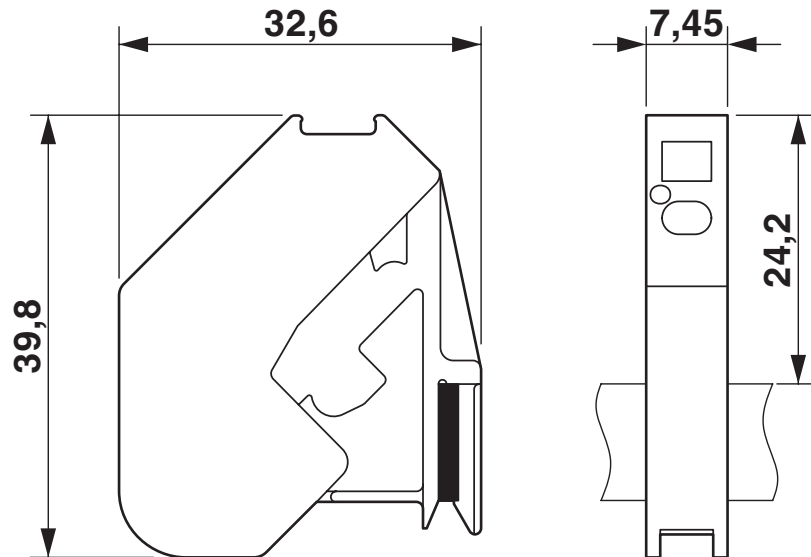
3029305

<https://www.phoenixcontact.com/us/products/3029305>



Drawings

Dimensional drawing



ZTRK 4 OG - Transformer terminal block



3029305

<https://www.phoenixcontact.com/us/products/3029305>

Classifications

ECLASS

| | |
|-------------|----------|
| ECLASS-13.0 | 27141110 |
| ECLASS-15.0 | 27141110 |

UNSPSC

| | |
|-------------|----------|
| UNSPSC 21.0 | 39121410 |
|-------------|----------|

ZTRK 4 OG - Transformer terminal block



3029305

<https://www.phoenixcontact.com/us/products/3029305>

Environmental product compliance

EU RoHS

| | |
|---|--------------------|
| Fulfills EU RoHS substance requirements | Yes, No exemptions |
|---|--------------------|

China RoHS

| | |
|--|--|
| Environment friendly use period (EFUP) | EFUP-E |
| | No hazardous substances above the limits |

EU REACH SVHC

| | |
|-------------------------------------|----------------------------|
| REACH candidate substance (CAS No.) | No substance above 0.1 wt% |
|-------------------------------------|----------------------------|

Phoenix Contact 2026 © - all rights reserved
<https://www.phoenixcontact.com>

Phoenix Contact USA
586 Fulling Mill Road
Middletown, PA 17057, United States
(+717) 944-1300
info@phoenixcon.com