

# SK 14 VPE 300 - Shield connection terminal block



3027941

<https://www.phoenixcontact.com/us/products/3027941>

Please be informed that the data shown in this PDF document is generated from our online catalog. Please find the complete data in the user documentation. Our general terms of use for downloads are valid.

Shield connection clamp, for shield on busbars, contact resistance < 1 mΩ



## Your advantages

- Easy handling
- Spring-loaded, large-surface pressure plate
- Suitable for direct and busbar mounting
- Knurled screw
- As components, it is not possible to certify shield connections in accordance with the requirements of the directive and standards for electrical equipment in potentially explosive areas. As such, shield connection clamps can be used in the Ex area even without an appropriate approval or marking.

## Commercial data

Item number	3027941
Packing unit	300 pc
Minimum order quantity	300 pc
Sales key	BE75
Product key	BE7512
GTIN	4046356285667
Weight per piece (including packing)	20.733 g
Weight per piece (excluding packing)	20 g
Customs tariff number	85369010
Country of origin	DE

# SK 14 VPE 300 - Shield connection terminal block



3027941

<https://www.phoenixcontact.com/us/products/3027941>

## Technical data

### Notes

#### General

Note	The shield connection clamps must not be used for strain relief of cables/conductors. Do not use for protective conductor connection.
------	--

### Product properties

Product type	Shield connection clamp
Pitch	17 mm
Number of connections	1
Number of rows	1

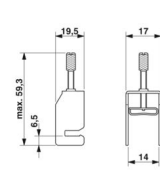
### Electrical properties

Maximum power dissipation for nominal condition	1.02 W
Contact resistance	< 0.001 $\Omega$

### Connection data

Grounding foot	Yes
Connection method	Screw connection
Screw thread	M4
Tightening torque	0.8 ... 0.8 Nm

### Dimensions

Dimensional drawing	
Width	17 mm
Height	19.5 mm
Depth	59.3 mm
Pitch	17 mm

#### External dimensions

Outside diameter	3 mm ... 14 mm
------------------	----------------

### Material specifications

Color	silver-colored
Material	Steel

### Cable/line

External cable diameter	3 mm ... 14 mm
-------------------------	----------------

# SK 14 VPE 300 - Shield connection terminal block



3027941

<https://www.phoenixcontact.com/us/products/3027941>

## Mounting

Mounting type
direct screw connection

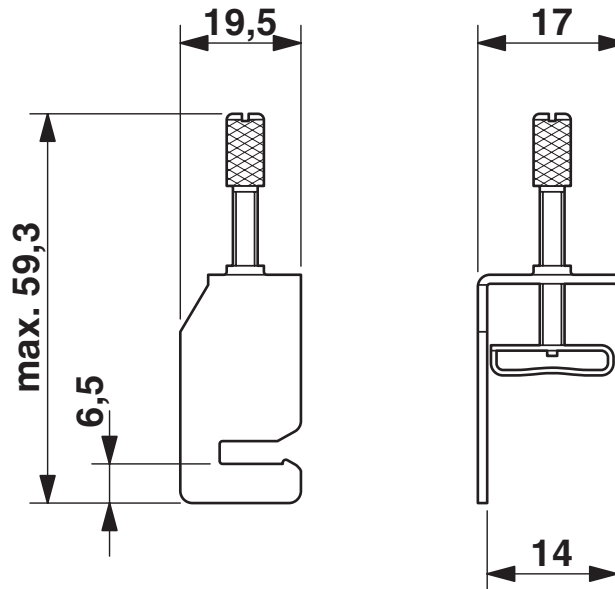
# SK 14 VPE 300 - Shield connection terminal block

3027941

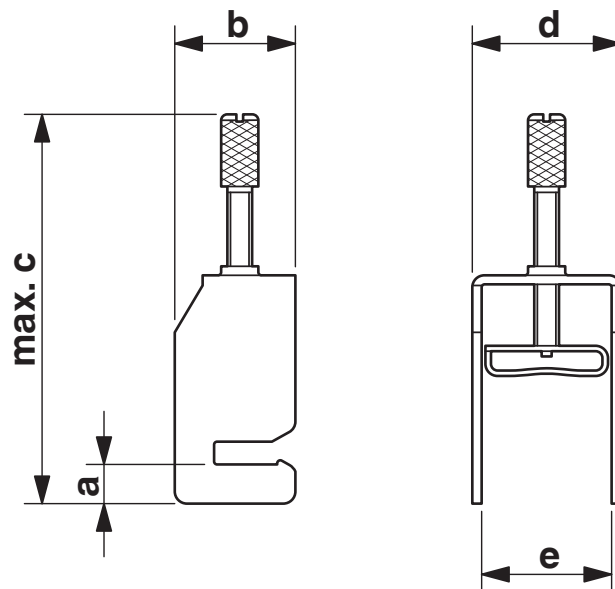
<https://www.phoenixcontact.com/us/products/3027941>

## Drawings

Dimensional drawing



Dimensional drawing



3027941

<https://www.phoenixcontact.com/us/products/3027941>

Diagram



# SK 14 VPE 300 - Shield connection terminal block



3027941

<https://www.phoenixcontact.com/us/products/3027941>

## Classifications

### ECLASS

ECLASS-13.0	27250309
ECLASS-15.0	27250309

### ETIM

ETIM 10.0	EC002020
-----------	----------

### UNSPSC

UNSPSC 21.0	39121400
-------------	----------

# SK 14 VPE 300 - Shield connection terminal block



3027941

<https://www.phoenixcontact.com/us/products/3027941>

## Environmental product compliance

### EU RoHS

Fulfills EU RoHS substance requirements	Yes, No exemptions
---	--------------------

### China RoHS

Environment friendly use period (EFUP)	EFUP-E
	No hazardous substances above the limits

### EU REACH SVHC

REACH candidate substance (CAS No.)	No substance above 0.1 wt%
-------------------------------------	----------------------------

### EF3.1 Climate Change

CO2e kg	0.072 kg CO2e
---------	---------------

Phoenix Contact 2026 © - all rights reserved  
<https://www.phoenixcontact.com>

Phoenix Contact USA  
586 Fulling Mill Road  
Middletown, PA 17057, United States  
(+717) 944-1300  
[info@phoenixcon.com](mailto:info@phoenixcon.com)