

SK 35 - Shield connection terminal block

3026463

<https://www.phoenixcontact.com/us/products/3026463>

Please be informed that the data shown in this PDF document is generated from our online catalog. Please find the complete data in the user documentation. Our general terms of use for downloads are valid.

Shield connection clamp, for shield on busbars, contact resistance < 1 mΩ



Your advantages

- Easy handling
- Spring-loaded, large-surface pressure plate
- Suitable for direct and busbar mounting
- Knurled screw
- As components, it is not possible to certify shield connections in accordance with the requirements of the directive and standards for electrical equipment in potentially explosive areas. As such, shield connection clamps can be used in the Ex area even without an appropriate approval or marking.

Commercial data

Item number	3026463
Packing unit	10 pc
Minimum order quantity	1 pc
Sales key	BE75
Product key	BE7512
GTIN	4017918167998
Weight per piece (including packing)	63.6 g
Weight per piece (excluding packing)	63.3 g
Customs tariff number	85369010
Country of origin	DE

SK 35 - Shield connection terminal block

3026463

<https://www.phoenixcontact.com/us/products/3026463>

Technical data

Notes

General

Note	The shield connection clamps must not be used for strain relief of cables/conductors.
	Do not use for protective conductor connection.

Product properties

Product type	Shield connection clamp
Pitch	40 mm
Number of connections	1
Number of rows	1

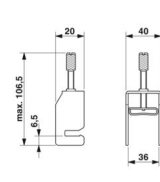
Electrical properties

Maximum power dissipation for nominal condition	0 W
Contact resistance	< 0.001 Ω

Connection data

Grounding foot	Yes
Connection method	Screw connection
Screw thread	M5
Tightening torque	1.5 ... 1.8 Nm

Dimensions

Dimensional drawing	
Width	40 mm
Height	20 mm
Depth	160.5 mm
Pitch	40 mm

External dimensions

Outside diameter	20 mm ... 35 mm
------------------	-----------------

Material specifications

Color	silver-colored
Material	Steel

Cable/line

External cable diameter	20 mm ... 35 mm
-------------------------	-----------------

SK 35 - Shield connection terminal block



3026463

<https://www.phoenixcontact.com/us/products/3026463>

Mechanical properties

Mechanical data

Open side panel	No
-----------------	----

Mounting

Mounting type	Neutral busbar
---------------	----------------

SK 35 - Shield connection terminal block

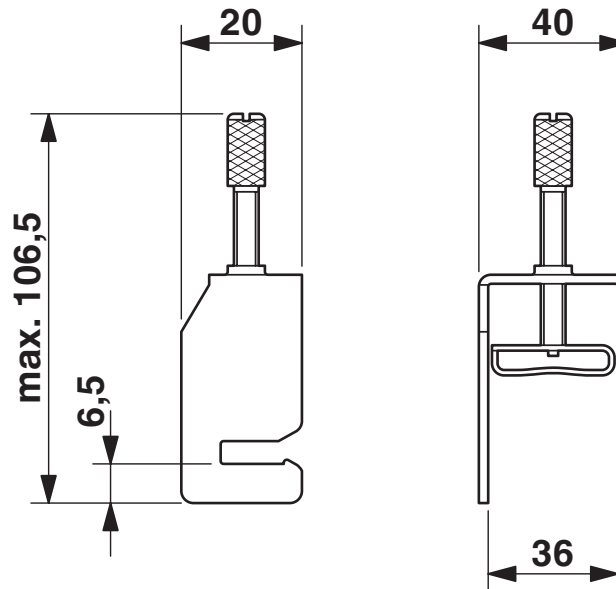
3026463

<https://www.phoenixcontact.com/us/products/3026463>

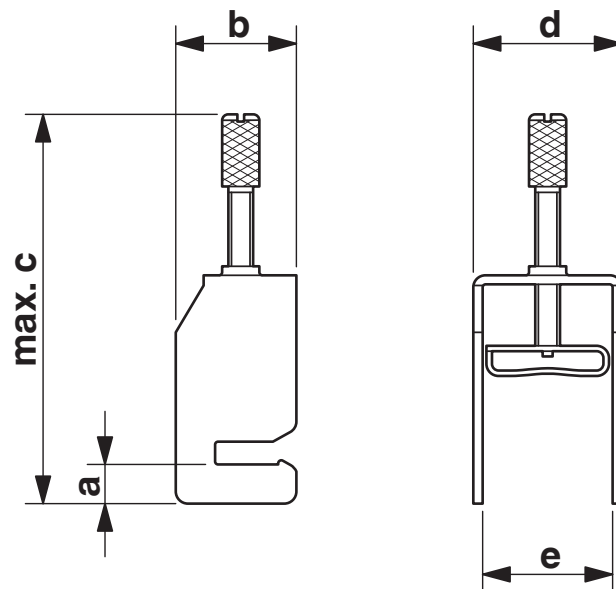


Drawings

Dimensional drawing



Dimensional drawing



SK 35 - Shield connection terminal block

3026463

<https://www.phoenixcontact.com/us/products/3026463>

Diagram



SK 35 - Shield connection terminal block



3026463

<https://www.phoenixcontact.com/us/products/3026463>

Classifications

ECLASS

ECLASS-13.0	27250309
ECLASS-15.0	27250309

ETIM

ETIM 10.0	EC002020
-----------	----------

UNSPSC

UNSPSC 21.0	39121400
-------------	----------

SK 35 - Shield connection terminal block



3026463

<https://www.phoenixcontact.com/us/products/3026463>

Environmental product compliance

EU RoHS

Fulfills EU RoHS substance requirements	Yes, No exemptions
---	--------------------

China RoHS

Environment friendly use period (EFUP)	EFUP-E
	No hazardous substances above the limits

EU REACH SVHC

REACH candidate substance (CAS No.)	No substance above 0.1 wt%
-------------------------------------	----------------------------

EF3.1 Climate Change

CO2e kg	0.607 kg CO2e
---------	---------------

Phoenix Contact 2026 © - all rights reserved
<https://www.phoenixcontact.com>

Phoenix Contact USA
586 Fulling Mill Road
Middletown, PA 17057, United States
(+717) 944-1300
info@phoenixcon.com