

# AB/SS-M - Support bracket

3025888

<https://www.phoenixcontact.com/us/products/3025888>

Please be informed that the data shown in this PDF document is generated from our online catalog. Please find the complete data in the user documentation. Our general terms of use for downloads are valid.



Support bracket, with contact to the mounting panel, with retaining screw, can be used for busbar 3 x 10 mm, color: gray

## Commercial data

Item number	3025888
Packing unit	10 pc
Minimum order quantity	10 pc
Sales key	BE07
Product key	BE7113
GTIN	4017918147549
Weight per piece (including packing)	9.61 g
Weight per piece (excluding packing)	9.49 g
Customs tariff number	39269097
Country of origin	PL

# AB/SS-M - Support bracket

3025888

<https://www.phoenixcontact.com/us/products/3025888>



## Technical data

### Product properties

Product type	Support bracket
Number of positions	1.00

### Electrical properties

Nominal current $I_N$	0 A
-----------------------	-----

### Dimensions

Dimensional drawing	
Width	19.4 mm
Height	23.4 mm
Depth	21.7 mm
Length	23.4 mm
Diameter	4.7 mm

### Material specifications

Color	gray (RAL 7042)
Material	PA
Flammability rating according to UL 94	V2
Static insulating material application in cold	-40 °C
Relative insulation material temperature index (Elec., UL 746 B)	125 °C
Components	free from silicone and halogen

### Environmental and real-life conditions

#### Ambient conditions

Ambient temperature (operation)	-40 °C ... 110 °C
Ambient temperature (storage/transport)	-25 °C ... 60 °C (for a short time, not exceeding 24 h, -60 °C to +70 °C)
Ambient temperature (assembly)	-5 °C ... 70 °C
Ambient temperature (actuation)	-5 °C ... 70 °C
Permissible humidity (operation)	20 % ... 90 %
Permissible humidity (storage/transport)	30 % ... 70 %

### Mounting

Mounting type	Direct mounting
---------------	-----------------

# AB/SS-M - Support bracket

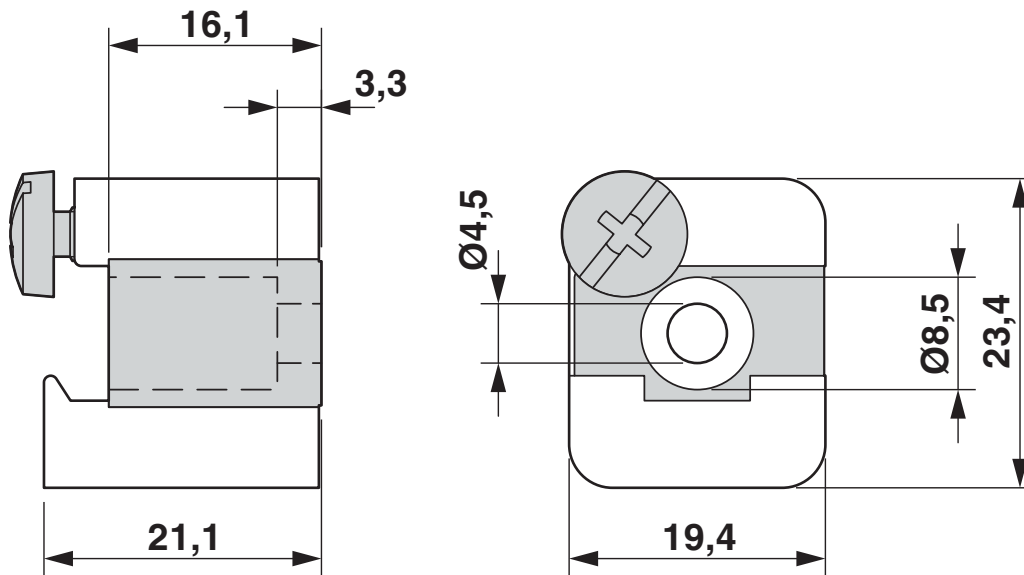
3025888

<https://www.phoenixcontact.com/us/products/3025888>



## Drawings

Dimensional drawing



# AB/SS-M - Support bracket

3025888

<https://www.phoenixcontact.com/us/products/3025888>



## Classifications

### ECLASS

ECLASS-13.0	27400607
ECLASS-15.0	27400607

### ETIM

ETIM 10.0	EC001166
-----------	----------

### UNSPSC

UNSPSC 21.0	39121700
-------------	----------

# AB/SS-M - Support bracket

3025888

<https://www.phoenixcontact.com/us/products/3025888>



## Environmental product compliance

### EU RoHS

Fulfills EU RoHS substance requirements	Yes, No exemptions
---	--------------------

### China RoHS

Environment friendly use period (EFUP)	EFUP-E
	No hazardous substances above the limits

### EU REACH SVHC

REACH candidate substance (CAS No.)	No substance above 0.1 wt%
-------------------------------------	----------------------------

### EF3.1 Climate Change

CO2e kg	0.06 kg CO2e
---------	--------------

Phoenix Contact 2026 © - all rights reserved  
<https://www.phoenixcontact.com>

Phoenix Contact USA  
586 Fulling Mill Road  
Middletown, PA 17057, United States  
(+717) 944-1300  
[info@phoenixcon.com](mailto:info@phoenixcon.com)