

CLIPFIX 35 - End bracket

3022218

<https://www.phoenixcontact.com/us/products/3022218>

Please be informed that the data shown in this PDF document is generated from our online catalog. Please find the complete data in the user documentation. Our general terms of use for downloads are valid.

Quick mounting end clamp for NS 35/7,5 DIN rail or NS 35/15 DIN rail, with marking option, width: 9.5 mm, color: gray



Your advantages

- Design width of just 9.5 mm
- Large-surface marking
- Phoenix Contact has engineered its CLIPFIX end brackets to maintain a secure grip on the various DIN rail systems

Commercial data

Item number	3022218
Packing unit	50 pc
Minimum order quantity	50 pc
Sales key	BE07
Product key	BE7111
GTIN	4017918156541
Weight per piece (including packing)	5.268 g
Weight per piece (excluding packing)	5.1 g
Customs tariff number	39269097
Country of origin	PL

CLIPFIX 35 - End bracket

3022218

<https://www.phoenixcontact.com/us/products/3022218>

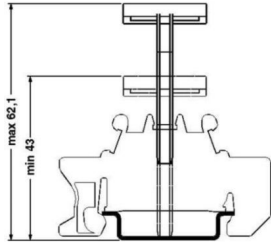


Technical data

Product properties

Product type	End bracket
--------------	-------------

Dimensions

Dimensional drawing	
Width	9.5 mm
Height	54.6 mm
Depth on NS 35/7,5	33.5 mm
Depth on NS 35/15	41 mm
Length	55.6 mm

Material specifications

Color	gray (RAL 7042)
Material	PA
Flammability rating according to UL 94	V2
Static insulating material application in cold	-60 °C
Temperature index of insulation material (DIN EN 60216-1 (VDE 0304-21))	125 °C
Relative insulation material temperature index (Elec., UL 746 B)	125 °C
Fire protection for rail vehicles (DIN EN 45545-2) R22	HL 1 - HL 2
Fire protection for rail vehicles (DIN EN 45545-2) R23	HL 1 - HL 2
Fire protection for rail vehicles (DIN EN 45545-2) R24	HL 1 - HL 2

Environmental and real-life conditions

Ambient conditions

Ambient temperature (operation)	-60 °C ... 105 °C (max. short-term operating temperature RTI Elec.)
Ambient temperature (storage/transport)	-25 °C ... 60 °C (for a short time, not exceeding 24 h, -60 °C to +70 °C)
Ambient temperature (assembly)	-5 °C ... 70 °C
Ambient temperature (actuation)	-5 °C ... 70 °C
Permissible humidity (storage/transport)	30 % ... 70 %

Mounting

Mounting type	NS 35/7,5
---------------	-----------

CLIPFIX 35 - End bracket

3022218

<https://www.phoenixcontact.com/us/products/3022218>



NS 35/15

CLIPFIX 35 - End bracket

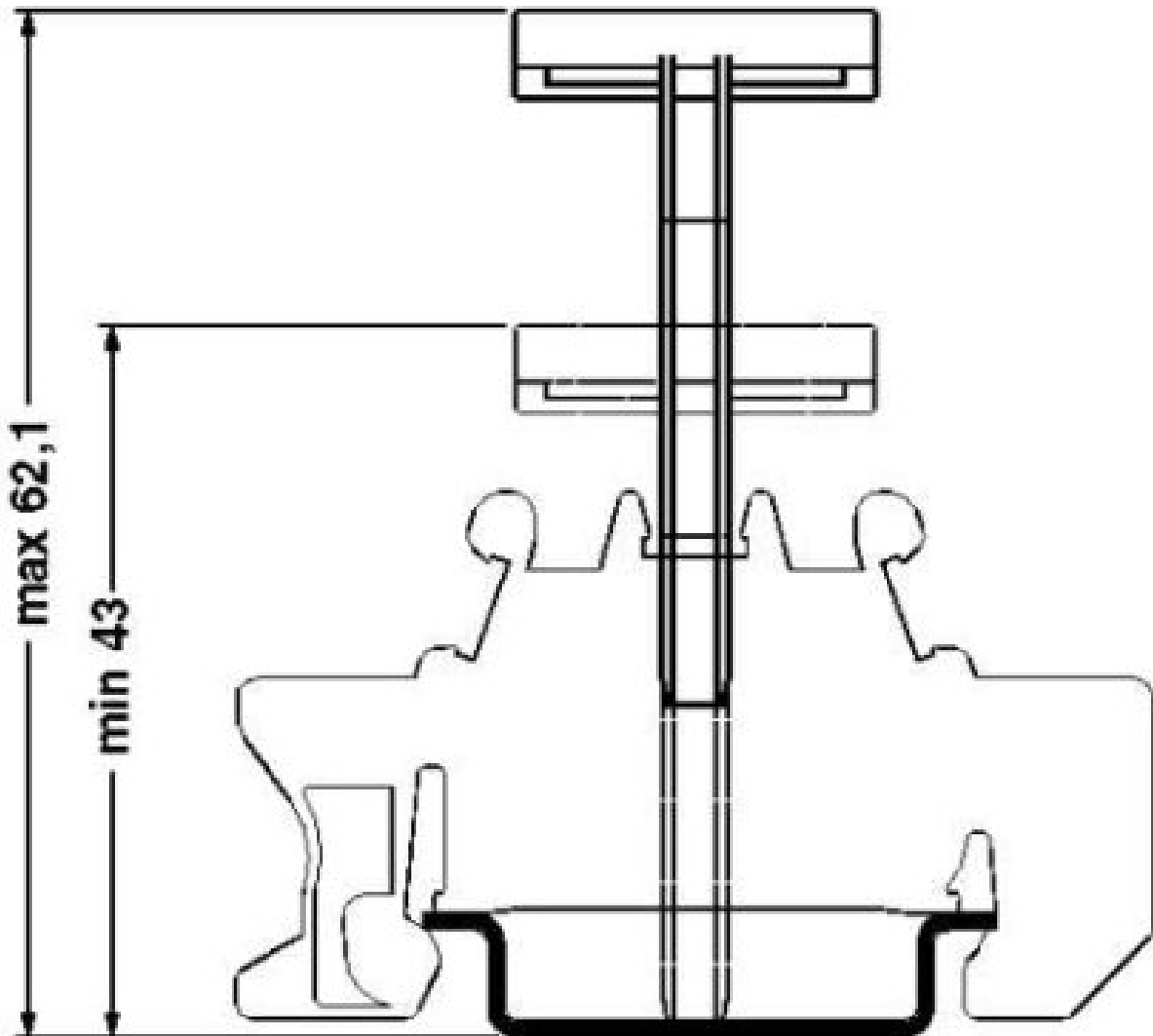
3022218

<https://www.phoenixcontact.com/us/products/3022218>



Drawings

Dimensional drawing



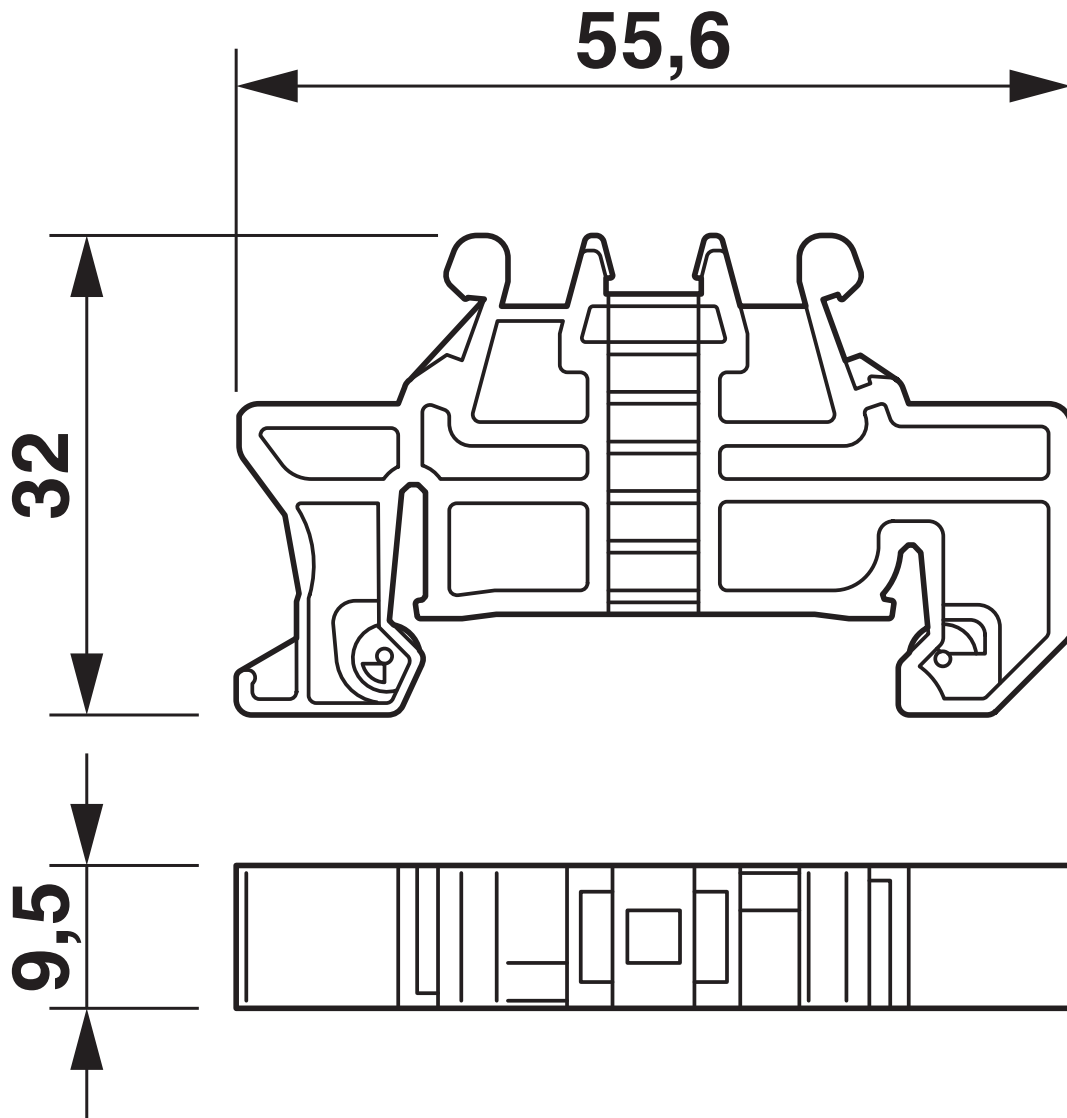
CLIPFIX 35 - End bracket

3022218

<https://www.phoenixcontact.com/us/products/3022218>



Dimensional drawing



CLIPFIX 35 - End bracket

3022218

<https://www.phoenixcontact.com/us/products/3022218>



Classifications

ECLASS

ECLASS-13.0	27250302
ECLASS-15.0	27250302

ETIM

ETIM 10.0	EC001041
-----------	----------

UNSPSC

UNSPSC 21.0	39121400
-------------	----------

CLIPFIX 35 - End bracket



3022218

<https://www.phoenixcontact.com/us/products/3022218>

Environmental product compliance

EU RoHS

Fulfills EU RoHS substance requirements	Yes, No exemptions
---	--------------------

China RoHS

Environment friendly use period (EFUP)	EFUP-E
	No hazardous substances above the limits

EU REACH SVHC

REACH candidate substance (CAS No.)	No substance above 0.1 wt%
-------------------------------------	----------------------------

EF3.1 Climate Change

CO2e kg	0.036 kg CO2e
---------	---------------

Phoenix Contact 2026 © - all rights reserved
<https://www.phoenixcontact.com>

Phoenix Contact USA
586 Fulling Mill Road
Middletown, PA 17057, United States
(+717) 944-1300
info@phoenixcon.com