

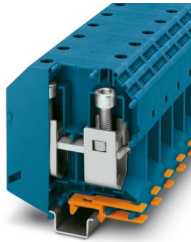
UKH 150 BU - High-current terminal block



3010123

<https://www.phoenixcontact.com/us/products/3010123>

Please be informed that the data shown in this PDF document is generated from our online catalog. Please find the complete data in the user documentation. Our general terms of use for downloads are valid.



High-current terminal block, nom. voltage: 1000 V, nominal current: 309 A, number of connections: 2, number of positions: 1, connection method: Screw connection, cross section: 35 mm² - 150 mm², mounting type: NS 35/15, NS 32, color: blue

Your advantages

- Reliable cable connection is ensured by three-point centering of the conductor in the prismatic sleeve base
- Low contact resistance of the contact surface due to ribbing
- Screw locking by means of spring-loaded elements in the clamping part

Commercial data

Item number	3010123
Packing unit	3 pc
Minimum order quantity	3 pc
Sales key	BE13
Product key	BE1311
GTIN	4017918091859
Weight per piece (including packing)	380 g
Weight per piece (excluding packing)	346.333 g
Customs tariff number	85369010
Country of origin	IN

Technical data

Notes

General

Note	For a reliable contact of multi stranded conductors it is recommended to untwist multi stranded conductors.
------	---

Product properties

Product type	High current terminal block
Number of positions	1
Number of connections	2
Number of rows	1
Potentials	1

Insulation characteristics

Overvoltage category	III
Degree of pollution	3

Electrical properties

Rated surge voltage	8 kV
Maximum power dissipation for nominal condition	9.55 W

Connection data

Number of connections per level	2
Nominal cross section	150 mm ²
Connection method	Screw connection
Screw thread	M10
Note	Screws with hexagonal socket
Tightening torque	25 ... 30 Nm
Stripping length	40 mm
Connection in acc. with standard	IEC 60947-7-1
Conductor cross-section rigid	35 mm ² ... 150 mm ²
Cross section AWG	1/0 ... 250 kcmil (converted acc. to IEC)
Conductor cross-section flexible	50 mm ² ... 150 mm ²
Conductor cross-section, flexible [AWG]	1/0 ... 250 kcmil (converted acc. to IEC)
Conductor cross-section flexible (ferrule without plastic sleeve)	50 mm ² ... 150 mm ²
Flexible conductor cross-section (ferrule with plastic sleeve)	50 mm ² ... 150 mm ²
Cross-section with insertion bridge, rigid	150 mm ²
Cross-section with insertion bridge, flexible	120 mm ²
2 conductors with same cross section, rigid	25 mm ² ... 50 mm ²
2 conductors with same cross section, flexible	35 mm ² ... 50 mm ²
2 conductors with same cross section, flexible, with ferrule without plastic sleeve	25 mm ² ... 50 mm ²
Nominal current	309 A

UKH 150 BU - High-current terminal block



3010123

<https://www.phoenixcontact.com/us/products/3010123>

Maximum load current	309 A (with 150 mm ² conductor cross-section)
Nominal voltage	1000 V
Note	Note: Product releases, connection cross sections and notes on connecting aluminum cables can be found in the download area.

Ex data

Rated data (ATEX/IECEX)

Identification	⊕ II 2 GD Ex eb IIC Gb
Operating temperature range	-60 °C ... 110 °C
Ex-certified accessories	1201947 VDE-ISS 8
	1201659 E/AL-NS 32
	1201662 E/AL-NS 35
List of bridges	Insertion bridge / EB 2-31/UKH / 0201388
	Insertion bridge / EB 3-31/UKH / 0201391
Bridge data	195.5 A (150 mm ²)
Ex temperature increase	40 K (281.5 A / 150 mm ²)
at bridging with insertion bridge	880 V
Rated insulation voltage	1000 V
output	(Permanent)

Ex level General

Rated voltage	1100 V
Rated current	256 A
Maximum load current	256 A
Contact resistance	0.06 mΩ

Ex connection data General

Torque range	25 Nm ... 30 Nm
Nominal cross section	150 mm ²
Rated cross section AWG	300 kcmil
Connection capacity rigid	35 mm ² ... 150 mm ²
Connection capacity AWG	2 ... 300 kcmil
Connection capacity flexible	50 mm ² ... 150 mm ²
Connection capacity AWG	1/0 ... 300 kcmil
2 conductors with same cross section, solid	25 mm ² ... 50 mm ²
2 conductors with the same cross-section AWG rigid	4 ... 1/0
2 conductors with same cross section, stranded	35 mm ² ... 50 mm ²
2 conductors with the same cross-section AWG flexible	2 ... 1/0

Dimensions

Dimensional drawing	
---------------------	--

UKH 150 BU - High-current terminal block



3010123

<https://www.phoenixcontact.com/us/products/3010123>

Width	31 mm
Height	100 mm
Depth	107.3 mm
Depth on NS 32	116 mm
Depth on NS 35/15	118.5 mm

Material specifications

Color	blue (RAL 5015)
Flammability rating according to UL 94	V0
Insulating material group	I
Insulating material	PA
Static insulating material application in cold	-60 °C
Relative insulation material temperature index (Elec., UL 746 B)	130 °C
Fire protection for rail vehicles (DIN EN 45545-2) R22	HL 1 - HL 3
Fire protection for rail vehicles (DIN EN 45545-2) R23	HL 1 - HL 3
Fire protection for rail vehicles (DIN EN 45545-2) R24	HL 1 - HL 3
Fire protection for rail vehicles (DIN EN 45545-2) R26	HL 1 - HL 3
Surface flammability NFPA 130 (ASTM E 162)	passed
Specific optical density of smoke NFPA 130 (ASTM E 662)	passed
Smoke gas toxicity NFPA 130 (SMP 800C)	passed

Electrical tests

Surge voltage test

Result	Test passed
--------	-------------

Temperature-rise test

Requirement temperature-rise test	Increase in temperature \leq 45 K
Result	Test passed
Short-time withstand current 150 mm ²	18 kA
Result	Test passed

Power-frequency withstand voltage

Test voltage setpoint	2.2 kV
Result	Test passed

Mechanical properties

Mechanical data

Open side panel	No
-----------------	----

Mechanical tests

Mechanical strength

Result	Test passed
--------	-------------

Attachment on the carrier

DIN rail/fixing support	NS 32/NS 35
Result	Test passed

Test for conductor damage and slackening

Rotation speed	10 (+/- 2) rpm
Revolutions	135
Conductor cross-section/weight	35 mm ² / 6.8 kg
	50 mm ² / 9.5 kg
	150 mm ² / 15 kg
Result	Test passed

Environmental and real-life conditions

Needle-flame test

Time of exposure	30 s
Result	Test passed

Oscillation/broadband noise

Specification	DIN EN 50155 (VDE 0115-200):2018-05
Spectrum	Long life test category 2, bogie-mounted
Frequency	$f_1 = 5 \text{ Hz}$ to $f_2 = 250 \text{ Hz}$
ASD level	6.12 (m/s ²) ² /Hz
Acceleration	3.12g
Test duration per axis	5 h
Test directions	X-, Y- and Z-axis
Result	Test passed

Shocks

Specification	DIN EN 50155 (VDE 0115-200):2018-05
Pulse shape	Half-sine
Acceleration	30g
Shock duration	18 ms
Number of shocks per direction	3
Test directions	X-, Y- and Z-axis (pos. and neg.)
Result	Test passed

Ambient conditions

Ambient temperature (operation)	-60 °C ... 110 °C (Operating temperature range incl. self-heating; for max. short-term operating temperature, see RTI Elec.)
Ambient temperature (storage/transport)	-25 °C ... 60 °C (for a short time, not exceeding 24 h, -60 °C to +70 °C)
Ambient temperature (assembly)	-5 °C ... 70 °C
Ambient temperature (actuation)	-5 °C ... 70 °C
Permissible humidity (operation)	20 % ... 90 %
Permissible humidity (storage/transport)	30 % ... 70 %

Standards and regulations

UKH 150 BU - High-current terminal block



3010123

<https://www.phoenixcontact.com/us/products/3010123>

Connection in acc. with standard	IEC 60947-7-1
----------------------------------	---------------

Mounting

Mounting type	NS 35/15
	NS 32

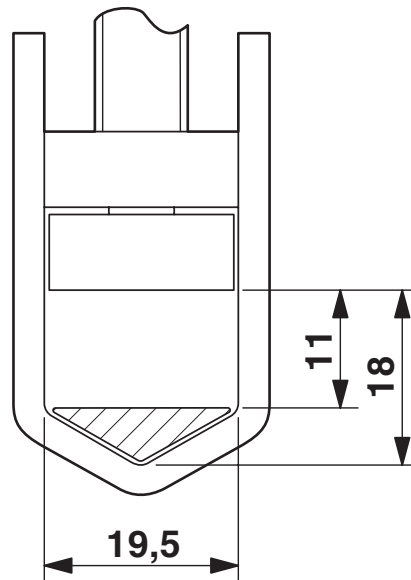
UKH 150 BU - High-current terminal block

3010123

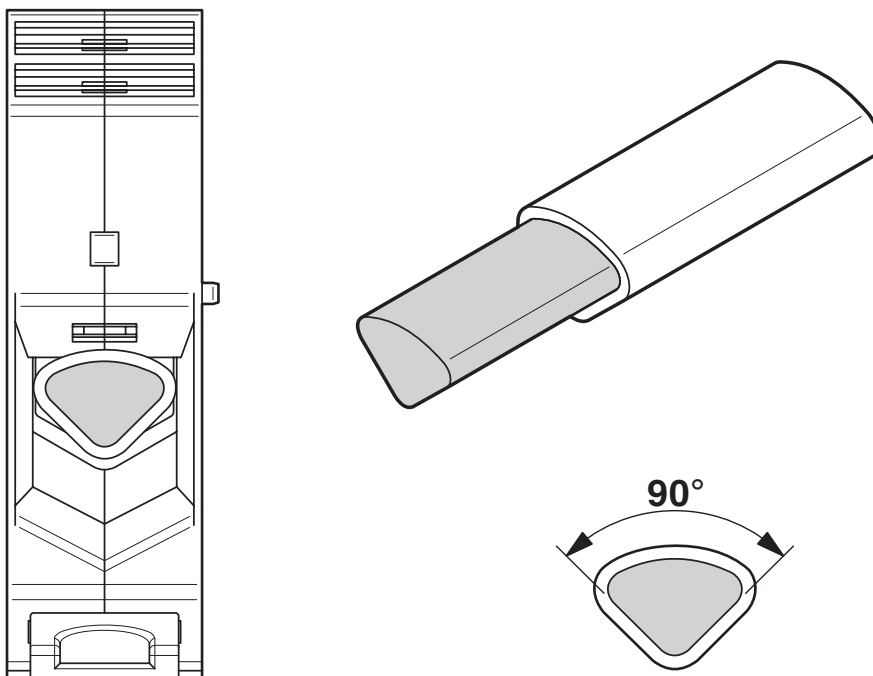
<https://www.phoenixcontact.com/us/products/3010123>

Drawings

Dimensional drawing



Schematic diagram



Connecting aluminum cables. Further notes can be found in the download area

UKH 150 BU - High-current terminal block

3010123

<https://www.phoenixcontact.com/us/products/3010123>



Circuit diagram



UKH 150 BU - High-current terminal block





3010123

<https://www.phoenixcontact.com/us/products/3010123>


Approvals


To download certificates, visit the product detail page: <https://www.phoenixcontact.com/us/products/3010123>


 CSA Approval ID: 13631				
	Nominal voltage U_N	Nominal current I_N	Cross section AWG	Cross section mm^2
B				
	600 V	275 A	2 - 300	-
C				
	600 V	275 A	2 - 300	-

 cULus Recognized Approval ID: E60425				
	Nominal voltage U_N	Nominal current I_N	Cross section AWG	Cross section mm^2
B				
	600 V	285 A	2 - 300	-
Multi-conductor connection	600 V	285 A	4 - 1/0	-
C				
	600 V	285 A	2 - 300	-
Multi-conductor connection	600 V	285 A	4 - 1/0	-


DNV Approval ID: TAE00001CT				
---------------------------------------	--	--	--	--

 ATEX Approval ID: KEMA99ATEX8332U				
---	--	--	--	--

 EAC Ex Approval ID: KZ 7500525010101950				
---	--	--	--	--

 IECEX Approval ID: IECEX KEM 06.0030U				
---	--	--	--	--

 CCC Approval ID: 2020322313000623				
---	--	--	--	--

 UKCA-EX				
--	--	--	--	--

UKH 150 BU - High-current terminal block



3010123

<https://www.phoenixcontact.com/us/products/3010123>

Approval ID: DEKRA 21UKEX0309U

UL Comp Hazloc CA US

Approval ID: UL US CA L 192998

	Nominal voltage U_N	Nominal current I_N	Cross section AWG	Cross section mm^2
keine				
	600 V	285 A	2 - 300	-

UKH 150 BU - High-current terminal block



3010123

<https://www.phoenixcontact.com/us/products/3010123>

Classifications

ECLASS

ECLASS-13.0	27250101
ECLASS-15.0	27250101

ETIM

ETIM 10.0	EC000897
-----------	----------

UNSPSC

UNSPSC 21.0	39121400
-------------	----------

UKH 150 BU - High-current terminal block



3010123

<https://www.phoenixcontact.com/us/products/3010123>

Environmental product compliance

EU RoHS

Fulfills EU RoHS substance requirements	Yes, No exemptions
---	--------------------

China RoHS

Environment friendly use period (EFUP)	EFUP-E
	No hazardous substances above the limits

EU REACH SVHC

REACH candidate substance (CAS No.)	No substance above 0.1 wt%
-------------------------------------	----------------------------

Phoenix Contact 2026 © - all rights reserved
<https://www.phoenixcontact.com>

Phoenix Contact USA
586 Fulling Mill Road
Middletown, PA 17057, United States
(+717) 944-1300
info@phoenixcon.com