

EB 2-18 - Insertion bridge

3009300

<https://www.phoenixcontact.com/us/products/3009300>

Please be informed that the data shown in this PDF document is generated from our online catalog. Please find the complete data in the user documentation. Our general terms of use for downloads are valid.

Insertion bridge, pitch: 17.8 mm, number of positions: 2, color: light gray



Commercial data

Item number	3009300
Packing unit	50 pc
Minimum order quantity	50 pc
Sales key	BE19
Product key	BE1Z2X
GTIN	4046356743631
Weight per piece (including packing)	7 g
Weight per piece (excluding packing)	6.963 g
Customs tariff number	85366990
Country of origin	DE

EB 2-18 - Insertion bridge

3009300

<https://www.phoenixcontact.com/us/products/3009300>

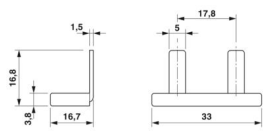


Technical data

Product properties

Product type	Insertion bridge
Number of positions	2
Pitch	17.8 mm
Potentials	1

Dimensions

Dimensional drawing	
Pitch	17.8 mm

Material specifications

Color	beige (RAL 7032)
Material	Copper
Insulating material	PVC

Mounting

Mounting type	Screw mounting
---------------	----------------

EB 2-18 - Insertion bridge

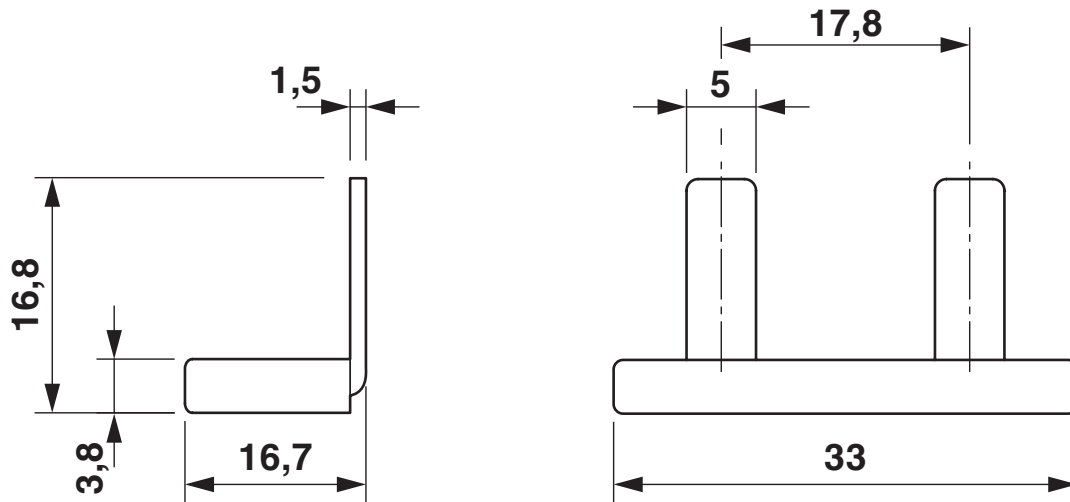
3009300

<https://www.phoenixcontact.com/us/products/3009300>



Drawings

Dimensional drawing



EB 2-18 - Insertion bridge

3009300

<https://www.phoenixcontact.com/us/products/3009300>



Classifications

ECLASS

ECLASS-13.0	27250303
ECLASS-15.0	27250303

ETIM

ETIM 10.0	EC000489
-----------	----------

UNSPSC

UNSPSC 21.0	39121400
-------------	----------

EB 2-18 - Insertion bridge

3009300

<https://www.phoenixcontact.com/us/products/3009300>



Environmental product compliance

EU RoHS

Fulfills EU RoHS substance requirements	Yes, No exemptions
---	--------------------

China RoHS

Environment friendly use period (EFUP)	EFUP-E
	No hazardous substances above the limits

EU REACH SVHC

REACH candidate substance (CAS No.)	No substance above 0.1 wt%
-------------------------------------	----------------------------

EF3.1 Climate Change

CO2e kg	0.147 kg CO2e
---------	---------------

Phoenix Contact 2026 © - all rights reserved
<https://www.phoenixcontact.com>

Phoenix Contact USA
586 Fulling Mill Road
Middletown, PA 17057, United States
(+717) 944-1300
info@phoenixcon.com