

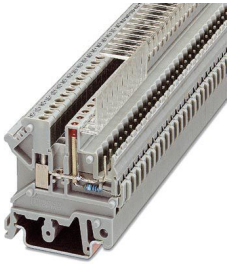
UK 3-MVSTB-5,08-LA 24RD - Feed-through terminal block



3002102

<https://www.phoenixcontact.com/us/products/3002102>

Please be informed that the data shown in this PDF document is generated from our online catalog. Please find the complete data in the user documentation. Our general terms of use for downloads are valid.



Feed-through terminal block, nom. voltage: 250 V, nominal current: 12 A, number of connections: 2, number of positions: 1, connection method: Screw/plug-in connection, 1st level connection left, cross section: 0.2 mm² - 4 mm², mounting type: NS 32, NS 35/15, NS 35/7,5, color: gray

Commercial data

Item number	3002102
Packing unit	1 pc
Minimum order quantity	50 pc
Note	Made to order (non-returnable)
Sales key	BE12
Product key	BE1241
GTIN	4017918090111
Weight per piece (including packing)	7.82 g
Weight per piece (excluding packing)	7.82 g
Customs tariff number	85369010
Country of origin	PL

UK 3-MVSTB-5,08-LA 24RD - Feed-through terminal block



3002102

<https://www.phoenixcontact.com/us/products/3002102>

Technical data

Product properties

Product type	Feed-through terminal block
Product family	UK 3-MVSTB
Number of positions	1
Pitch	5.08 mm
Number of connections	2
Number of rows	1
Potentials	1

Insulation characteristics

Overvoltage category	III
Degree of pollution	3

Electrical properties

Rated surge voltage	4 kV
Maximum power dissipation for nominal condition	0 W

Connection data

1st level connection left

Connection method	Screw/plug-in connection
Screw thread	M3
Tightening torque	0.5 ... 0.6 Nm
Stripping length	8 mm
Internal cylindrical gage	A3
Conductor cross-section rigid	0.2 mm ² ... 4 mm ²
Cross section AWG	24 ... 12 (converted acc. to IEC)
Conductor cross-section flexible	0.2 mm ² ... 2.5 mm ²
Conductor cross-section, flexible [AWG]	24 ... 14 (converted acc. to IEC)
Conductor cross-section flexible (ferrule without plastic sleeve)	0.25 mm ² ... 2.5 mm ²
Flexible conductor cross-section (ferrule with plastic sleeve)	0.25 mm ² ... 1.5 mm ²
2 conductors with same cross section, rigid	0.2 mm ² ... 1.5 mm ²
2 conductors with same cross section, flexible	0.2 mm ² ... 1 mm ²
2 conductors with same cross section, flexible, with ferrule without plastic sleeve	0.25 mm ² ... 0.5 mm ²
2 conductors with the same cross section, flexible, with TWIN ferrule with plastic sleeve	0.5 mm ² ... 1 mm ²
Nominal current	12 A
Maximum load current	12 A (with 4 mm ² conductor cross-section)
Nominal voltage	250 V (is determined by the LED)

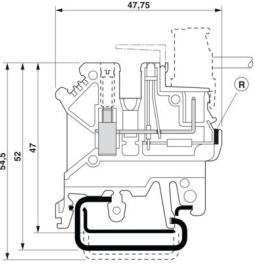
Dimensions

UK 3-MVSTB-5,08-LA 24RD - Feed-through terminal block



3002102

<https://www.phoenixcontact.com/us/products/3002102>

Dimensional drawing	
Width	5.08 mm
End cover width	2.5 mm
Pitch	5.08 mm

Material specifications

Color	gray (RAL 7042)
Flammability rating according to UL 94	V2
Insulating material group	I
Insulating material	PA
Contact surface	Tin Sn

Mechanical properties

Mechanical data

Open side panel	Yes
-----------------	-----

Environmental and real-life conditions

Ambient conditions

Ambient temperature (storage/transport)	-25 °C ... 60 °C (for a short time, not exceeding 24 h, -60 °C to +70 °C)
Ambient temperature (assembly)	-5 °C ... 70 °C
Ambient temperature (actuation)	-5 °C ... 70 °C
Permissible humidity (storage/transport)	30 % ... 70 %

Mounting

Mounting type	NS 32
	NS 35/15
	NS 35/7,5

UK 3-MVSTB-5,08-LA 24RD - Feed-through terminal block

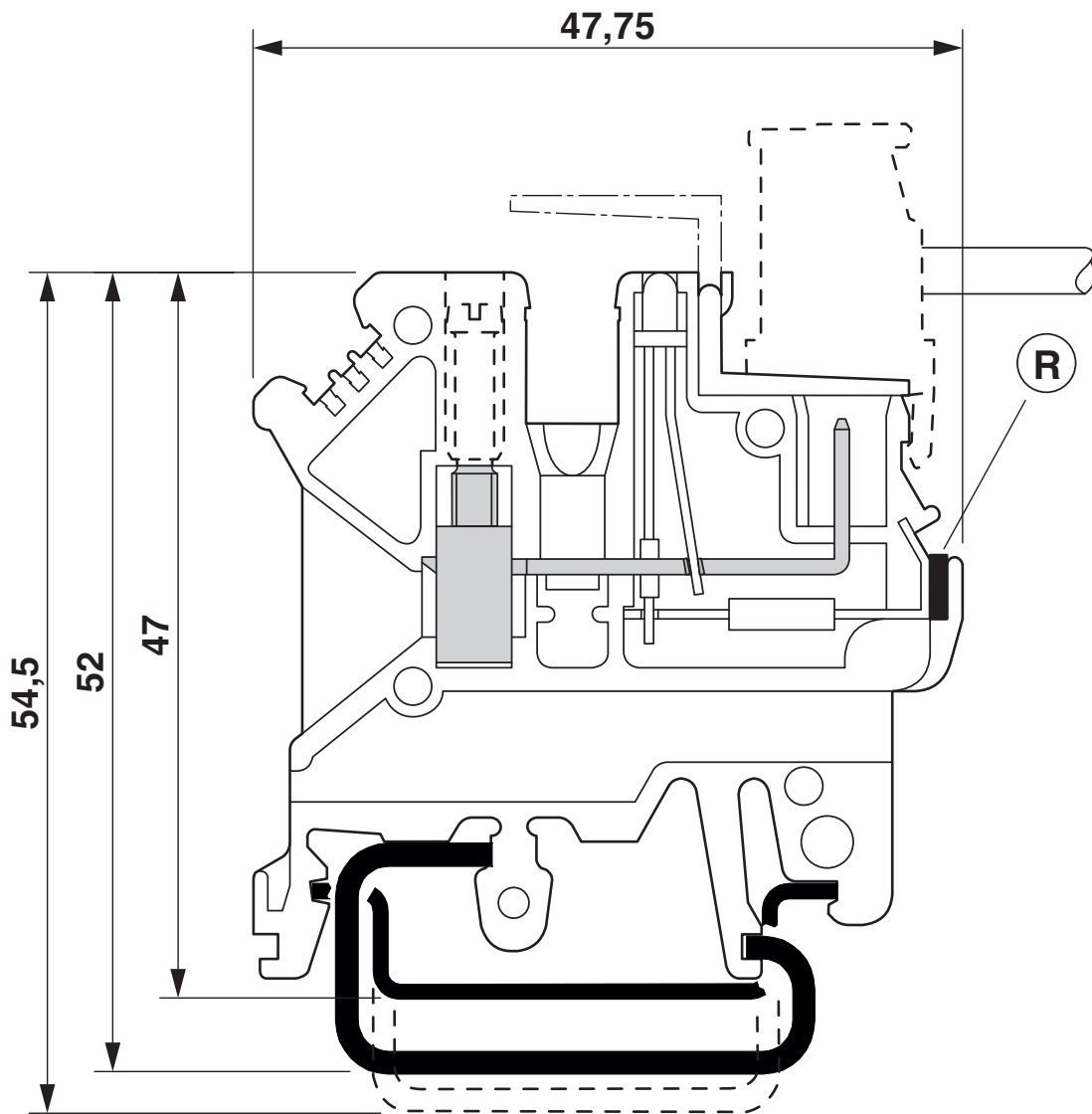


3002102

<https://www.phoenixcontact.com/us/products/3002102>

Drawings

Dimensional drawing



UK 3-MVSTB-5,08-LA 24RD - Feed-through terminal block



3002102

<https://www.phoenixcontact.com/us/products/3002102>

Classifications

UNSPSC

UNSPSC 21.0	39121400
-------------	----------

UK 3-MVSTB-5,08-LA 24RD - Feed-through terminal block



3002102

<https://www.phoenixcontact.com/us/products/3002102>

Environmental product compliance

EU RoHS

Fulfills EU RoHS substance requirements	Yes, No exemptions
---	--------------------

China RoHS

Environment friendly use period (EFUP)	EFUP-E
	No hazardous substances above the limits

EU REACH SVHC

REACH candidate substance (CAS No.)	No substance above 0.1 wt%
-------------------------------------	----------------------------

Phoenix Contact 2026 © - all rights reserved
<https://www.phoenixcontact.com>

Phoenix Contact USA
586 Fulling Mill Road
Middletown, PA 17057, United States
(+717) 944-1300
info@phoenixcon.com