

# E AB A 130X80X60 12MPT - Junction box



3001999

<https://www.phoenixcontact.com/us/products/3001999>

Please be informed that the data shown in this PDF document is generated from our online catalog. Please find the complete data in the user documentation. Our general terms of use for downloads are valid.



Junction box, With 12 terminal blocks, 2.5 mm<sup>2</sup> with push-in technology, material: ABS, gray, 130 mm x 80 mm x 60 mm, type of locking: Screw-on cover

## Your advantages

- Terminal box with cover and pre-assembled terminal strip
- Fast wiring without the need for additional components

## Commercial data

Item number	3001999
Packing unit	1 pc
Minimum order quantity	1 pc
Sales key	BH91
Product key	BH8231
GTIN	4055626083834
Weight per piece (including packing)	416.3 g
Weight per piece (excluding packing)	411.8 g
Customs tariff number	85369010
Country of origin	IN

# E AB A 130X80X60 12MPT - Junction box

3001999

<https://www.phoenixcontact.com/us/products/3001999>

## Technical data

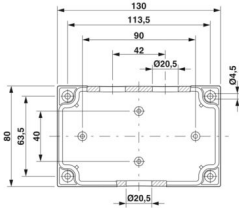
### Product properties

Product type	Terminal box
--------------	--------------

### Insulation characteristics

Protection class	II
------------------	----

### Dimensions

Dimensional drawing	
Width	130 mm
Height	80 mm
Depth	60 mm

### Material specifications

Color	gray
Material	ABS
Flammability rating according to UL 94	UL-94 HB
Seal material	Silicon
Type of insulation	full protective insulation
Components	halogen-free

### Mechanical properties

#### General

Type of locking (GRP)	Screw-on cover Phillips-Recess
-----------------------	--------------------------------

### Environmental and real-life conditions

#### Degree of protection (IP code)

Degree of protection	IP67
----------------------	------

#### Ambient conditions

Ambient temperature (operation)	-25 °C ... 60 °C
---------------------------------	------------------

### Mounting

Assembly note	Screw connection in housing base
---------------	----------------------------------

# E AB A 130X80X60 12MPT - Junction box

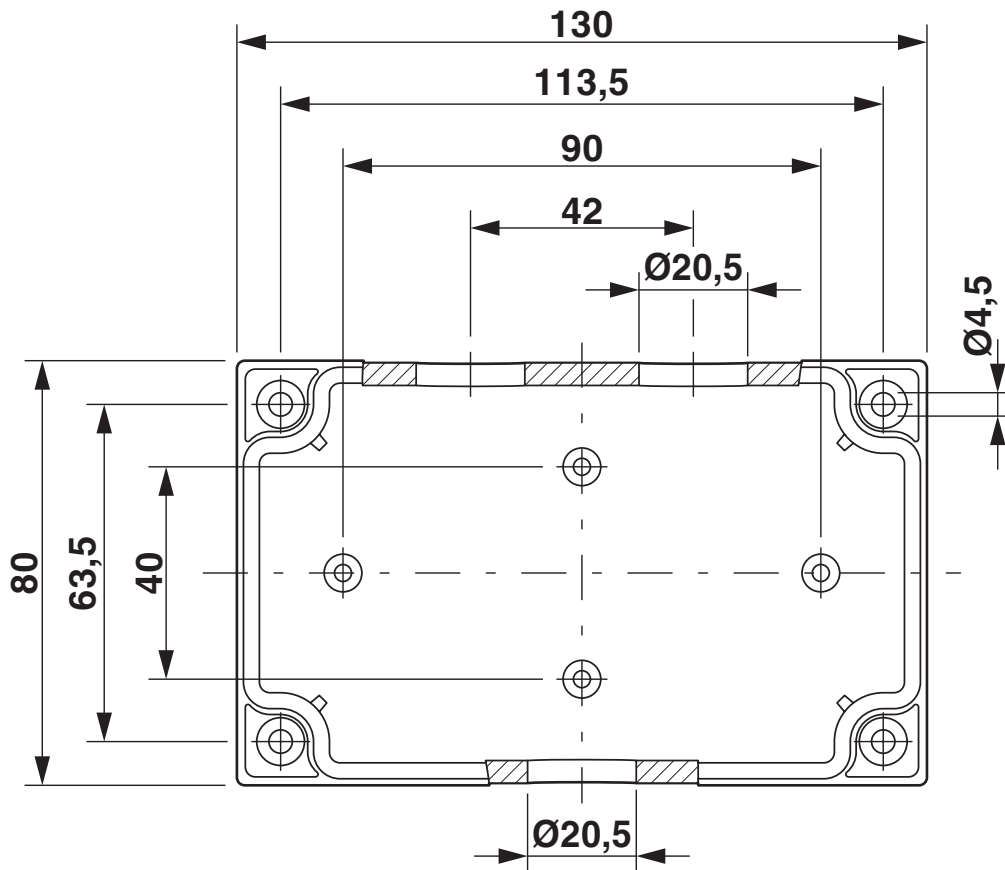


3001999

<https://www.phoenixcontact.com/us/products/3001999>

## Drawings

Dimensional drawing



# E AB A 130X80X60 12MPT - Junction box



3001999

<https://www.phoenixcontact.com/us/products/3001999>

## Classifications

### ECLASS

ECLASS-13.0	27180101
ECLASS-15.0	27180101

### ETIM

ETIM 10.0	EC000261
-----------	----------

### UNSPSC

UNSPSC 21.0	31261500
-------------	----------

# E AB A 130X80X60 12MPT - Junction box



3001999

<https://www.phoenixcontact.com/us/products/3001999>

## Environmental product compliance

### EU RoHS

Fulfills EU RoHS substance requirements	Yes, No exemptions
---	--------------------

### China RoHS

Environment friendly use period (EFUP)	EFUP-E
	No hazardous substances above the limits

### EU REACH SVHC

REACH candidate substance (CAS No.)	No substance above 0.1 wt%
-------------------------------------	----------------------------

Phoenix Contact 2026 © - all rights reserved  
<https://www.phoenixcontact.com>

Phoenix Contact USA  
586 Fulling Mill Road  
Middletown, PA 17057, United States  
(+717) 944-1300  
[info@phoenixcon.com](mailto:info@phoenixcon.com)