

# E AB A 85X83X63 6MPT - Junction box

3001998

<https://www.phoenixcontact.com/us/products/3001998>

Please be informed that the data shown in this PDF document is generated from our online catalog. Please find the complete data in the user documentation. Our general terms of use for downloads are valid.



Junction box, With 6 terminal blocks, 2.5 mm<sup>2</sup> with push-in technology, material: ABS, gray, 85 mm x 83 mm x 63 mm, type of locking: Screw-on cover

## Your advantages

- Terminal box with cover and pre-assembled terminal strip
- Fast wiring without the need for additional components

## Commercial data

|                                      |               |
|--------------------------------------|---------------|
| Item number                          | 3001998       |
| Packing unit                         | 1 pc          |
| Minimum order quantity               | 1 pc          |
| Sales key                            | BH91          |
| Product key                          | BH8231        |
| GTIN                                 | 4055626083827 |
| Weight per piece (including packing) | 317.2 g       |
| Weight per piece (excluding packing) | 309.2 g       |
| Customs tariff number                | 85369010      |
| Country of origin                    | IN            |

# E AB A 85X83X63 6MPT - Junction box

3001998

<https://www.phoenixcontact.com/us/products/3001998>

## Technical data

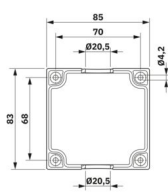
### Product properties

|              |              |
|--------------|--------------|
| Product type | Terminal box |
|--------------|--------------|

### Insulation characteristics

|                  |    |
|------------------|----|
| Protection class | II |
|------------------|----|

### Dimensions

|                     |  |
|---------------------|--|
| Dimensional drawing |  |
| Width               | 85 mm  |
| Height              | 83 mm  |
| Depth               | 63 mm  |

### Material specifications

|  |                            |
|--|----------------------------|
| Color                                  | gray                       |
| Material                               | ABS                        |
| Flammability rating according to UL 94 | UL-94 HB                   |
| Seal material                          | Silicon                    |
| Type of insulation                     | full protective insulation |
| Components                             | halogen-free               |

### Mechanical properties

#### General

|                       |                                |
|-----------------------|--------------------------------|
| Type of locking (GRP) | Screw-on cover Phillips-Recess |
|-----------------------|--------------------------------|

### Environmental and real-life conditions

#### Degree of protection (IP code)

|                      |      |
|----------------------|------|
| Degree of protection | IP67 |
|----------------------|------|

#### Ambient conditions

|                                 |                  |
|---------------------------------|------------------|
| Ambient temperature (operation) | -25 °C ... 60 °C |
|---------------------------------|------------------|

### Mounting

|               |                                  |
|---------------|----------------------------------|
| Assembly note | Screw connection in housing base |
|---------------|----------------------------------|

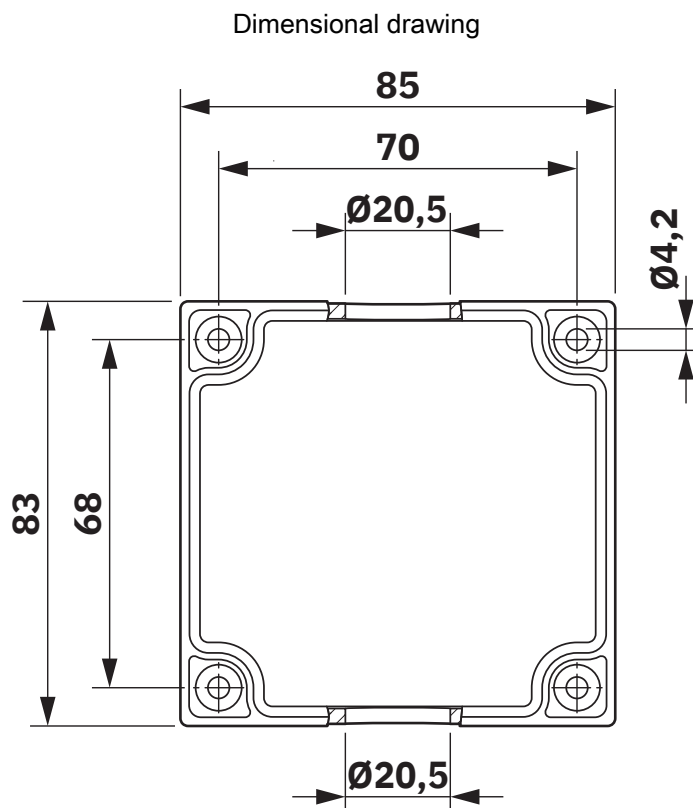
# E AB A 85X83X63 6MPT - Junction box

3001998

<https://www.phoenixcontact.com/us/products/3001998>



## Drawings



# E AB A 85X83X63 6MPT - Junction box



3001998

<https://www.phoenixcontact.com/us/products/3001998>

## Classifications

### ECLASS

|             |          |
|-------------|----------|
| ECLASS-13.0 | 27180101 |
| ECLASS-15.0 | 27180101 |

### ETIM

|           |          |
|-----------|----------|
| ETIM 10.0 | EC000261 |
|-----------|----------|

### UNSPSC

|             |          |
|-------------|----------|
| UNSPSC 21.0 | 31261500 |
|-------------|----------|

# E AB A 85X83X63 6MPT - Junction box



3001998

<https://www.phoenixcontact.com/us/products/3001998>

## Environmental product compliance

### EU RoHS

|   |                    |
|---|--------------------|
| Fulfills EU RoHS substance requirements | Yes, No exemptions |
|---|--------------------|

### China RoHS

|  |  |
|--|--|
| Environment friendly use period (EFUP) | EFUP-E                                   |
|  | No hazardous substances above the limits |

### EU REACH SVHC

|                                     |                            |
|-------------------------------------|----------------------------|
| REACH candidate substance (CAS No.) | No substance above 0.1 wt% |
|-------------------------------------|----------------------------|

Phoenix Contact 2026 © - all rights reserved  
<https://www.phoenixcontact.com>

Phoenix Contact USA  
586 Fulling Mill Road  
Middletown, PA 17057, United States  
(+717) 944-1300  
[info@phoenixcon.com](mailto:info@phoenixcon.com)