

# FTP-2/7 - Test plug

3001709

<https://www.phoenixcontact.com/us/products/3001709>

Please be informed that the data shown in this PDF document is generated from our online catalog. Please find the complete data in the user documentation. Our general terms of use for downloads are valid.

Test plug, freely configurable, nom. voltage: 400 V, nominal current: 24 A, connection method: Cable lug connection, Rated cross section: 2.5 mm<sup>2</sup>, color: gray



The figure shows the standard item

## Your advantages

- Cost-effective, thanks to the tailored, modular design and use of standardized CLIPLINE complete accessories
- Space saving, thanks to offset test socket arrangement
- Easy and time saving, thanks to functional grouping of switching operations
- Maximum safety with leading and automatic transformer short circuit
- The integrated, robust switch contact is designed for the most stringent demands, and the use of high-quality materials ensures the transmission of signal currents, even after multiple actuations
- The automatically generated transformer short circuit and the shock-proof design ensure the highest degree of safety during measurement

## Commercial data

Item number	3001709
Packing unit	1 pc
Minimum order quantity	1 pc
Note	Made to order (non-returnable)
Product key	BE6112
GTIN	4055626052182
Weight per piece (including packing)	408.4 g
Weight per piece (excluding packing)	408 g
Country of origin	PL

# FTP-2/7 - Test plug

3001709

<https://www.phoenixcontact.com/us/products/3001709>

## Technical data

### Product properties

Product type	Test plug terminal block
Number of positions	7
Pitch	8.2 mm
Number of rows	1
Potentials	7

### Insulation characteristics

Overvoltage category	III
----------------------	-----

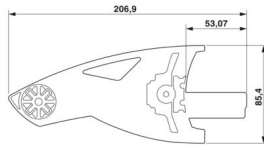
### Electrical properties

Rated surge voltage	4 kV
Maximum power dissipation for nominal condition	1.31 W
Test surge voltage	5 kV

### Connection data

Nominal cross section	6 mm <sup>2</sup>
Test socket torque	0.5
Connection method	Cable lug connection
Note	The conductor cross-section depends on the cable lug used
Conductor cross-section flexible	0.5 mm <sup>2</sup> ... 2.5 mm <sup>2</sup>
Conductor cross-section, flexible [AWG]	20 ... 14 (converted acc. to IEC)
Nominal cross section	2.5 mm <sup>2</sup>
Nominal current	24 A
Maximum load current	24 A
Nominal voltage	400 V AC/DC

### Dimensions

Dimensional drawing	
Width	89.7 mm
Height	86 mm
Pitch	8.2 mm

### Material specifications

Color	gray (RAL 7042)
Flammability rating according to UL 94	V0
Insulating material group	I
Insulating material	PA

# FTP-2/7 - Test plug



3001709

<https://www.phoenixcontact.com/us/products/3001709>

## Mechanical properties

### Mechanical data

Open side panel	No
-----------------	----

## Environmental and real-life conditions

### Ambient conditions

Ambient temperature (operation)	-60 °C ... 85 °C
Ambient temperature (storage/transport)	-25 °C ... 55 °C (for a short time, not exceeding 24 h, -60 °C to +70 °C)
Ambient temperature (assembly)	-5 °C ... 70 °C
Ambient temperature (actuation)	-5 °C ... 70 °C
Permissible humidity (storage/transport)	30 % ... 70 %

## Mounting

Mounting type	Insertion in base strip
---------------	-------------------------

# FTP-2/7 - Test plug

3001709

<https://www.phoenixcontact.com/us/products/3001709>



## Drawings

Dimensional drawing



Circuit diagram



# FTP-2/7 - Test plug



3001709

<https://www.phoenixcontact.com/us/products/3001709>

## Classifications

### ECLASS

ECLASS-13.0	27250304
ECLASS-15.0	27250304

### ETIM

ETIM 9.0	EC002555
----------	----------

### UNSPSC

UNSPSC 21.0	39121400
-------------	----------

# FTP-2/7 - Test plug



3001709

<https://www.phoenixcontact.com/us/products/3001709>

## Environmental product compliance

### EU RoHS

Fulfills EU RoHS substance requirements	Yes, No exemptions
---	--------------------

### China RoHS

Environment friendly use period (EFUP)	EFUP-E
	No hazardous substances above the limits

### EU REACH SVHC

REACH candidate substance (CAS No.)	No substance above 0.1 wt%
-------------------------------------	----------------------------

Phoenix Contact 2026 © - all rights reserved  
<https://www.phoenixcontact.com>

Phoenix Contact USA  
586 Fulling Mill Road  
Middletown, PA 17057, United States  
(+717) 944-1300  
[info@phoenixcon.com](mailto:info@phoenixcon.com)