

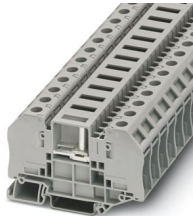
RT 4-T-P/P - Test disconnect terminal block



3000565

<https://www.phoenixcontact.com/us/products/3000565>

Please be informed that the data shown in this PDF document is generated from our online catalog. Please find the complete data in the user documentation. Our general terms of use for downloads are valid.



Test disconnect terminal block, Note: the BE-RT... path extension is to be used for non-insulated cable lugs (see accessories)., With test socket screws for insertion of test plugs, nom. voltage: 500 V, nominal current: 41 A, 1 level, connection method: Bolt connection, Rated cross section: 6 mm², mounting: NS 35/7,5, NS 35/15, color: gray

Your advantages

- Quick ring cable lug wiring due to the hinged cover
- Secure connection: The screws are secured by captive disk springs
- The hinged cover cover the live metal parts including the insulated cable lugs in the clamping area so that they are touch proof
- High conductor pull-out forces and contact force for high durability
- Space-saving multi-conductor connection possible
- Full flexibility thanks to the standardized CLIPLINE complete bridging, marking, and testing accessories
- Vibration-resistant conductor connection

Commercial data

Item number	3000565
Packing unit	25 pc
Minimum order quantity	25 pc
Sales key	BE43
Product key	BE4333
GTIN	4055626019901
Weight per piece (including packing)	37.3 g
Weight per piece (excluding packing)	37.356 g
Customs tariff number	85369010
Country of origin	CN

RT 4-T-P/P - Test disconnect terminal block



3000565

<https://www.phoenixcontact.com/us/products/3000565>

Technical data

Product properties

Product type	Bolt connection terminal block
Product family	RT
Area of application	Machine building
	Plant engineering
Number of connections	2
Number of rows	1
Potentials	1

Insulation characteristics

Overvoltage category	III
Degree of pollution	3

Electrical properties

Rated surge voltage	6 kV
Maximum power dissipation for nominal condition	1.31 W

Connection data

Number of connections per level	2
Nominal cross section	6 mm ²
Rated cross section AWG	10

1 level

Connection method	Bolt connection
Stripping length	The stripping length depends on the specification provided by the cable lug manufacturer.
Connection in acc. with standard	IEC 60947-7-1
Nominal cross section	6 mm ²
Nominal current	41 A
Maximum load current	41 A
Nominal voltage	500 V

Disconnect slide

Screw thread	M4
--------------	----

Cable lug connection DIN 46234:1980-03

Connection in acc. with standard	DIN 46234:1980-03
Cross section	0.1 mm ² ... 6 mm ²
Cross section range AWG	26 ... 10 (converted acc. to IEC)
Hole diameter	4.3 mm
Width	8 mm
Bolt diameter	4 mm
Screw thread	M4

RT 4-T-P/P - Test disconnect terminal block



3000565

<https://www.phoenixcontact.com/us/products/3000565>

Tightening torque	1.5 ... 1.8 Nm
Connection in acc. with standard	DIN 46237:1970-07
Cross section	0.5 mm ² ... 6 mm ²
Cross section range AWG	20 ... 10 (converted acc. to IEC)
Hole diameter	4.3 mm
Width	8 mm
Bolt diameter	4 mm
Screw thread	M4
Tightening torque	1.5 ... 1.8 Nm
Identification color of ring cable lugs : red	1 mm ²
Identification color of ring cable lugs : blue	2.5 mm ²
Identification color of ring cable lugs : yellow	6 mm ²

Dimensions

Width	12.3 mm
End cover width	2.2 mm
Height	82.4 mm
Depth on NS 35/7,5	51 mm
Depth on NS 35/15	58.5 mm

Material specifications

Color	gray (RAL 7042)
Flammability rating according to UL 94	V0
Insulating material group	I
Insulating material	PA
Static insulating material application in cold	-60 °C
Temperature index of insulation material (DIN EN 60216-1 (VDE 0304-21))	130 °C
Relative insulation material temperature index (Elec., UL 746 B)	130 °C
Fire protection for rail vehicles (DIN EN 45545-2) R22	HL 1 - HL 3
Fire protection for rail vehicles (DIN EN 45545-2) R23	HL 1 - HL 3
Fire protection for rail vehicles (DIN EN 45545-2) R24	HL 1 - HL 3
Fire protection for rail vehicles (DIN EN 45545-2) R26	HL 1 - HL 3
Calorimetric heat release NFPA 130 (ASTM E 1354)	28 MJ/kg
Surface flammability NFPA 130 (ASTM E 162)	passed
Specific optical density of smoke NFPA 130 (ASTM E 662)	passed
Smoke gas toxicity NFPA 130 (SMP 800C)	passed

Electrical tests

Surge voltage test

Test voltage setpoint	7.3 kV
Result	Test passed

Temperature-rise test

RT 4-T-P/P - Test disconnect terminal block



3000565

<https://www.phoenixcontact.com/us/products/3000565>

Requirement temperature-rise test	Increase in temperature ≤ 45 K
Result	Test passed
Short-time withstand current 6 mm ²	0.72 kA
Result	Test passed

Power-frequency withstand voltage

Test voltage setpoint	1.89 kV
Result	Test passed

Mechanical properties

Mechanical data

Open side panel	Yes
-----------------	-----

Mechanical tests

Mechanical strength

Result	Test passed
--------	-------------

Attachment on the carrier

DIN rail/fixing support	NS 35
Test force setpoint	5 N
Result	Test passed

Environmental and real-life conditions

Needle-flame test

Time of exposure	30 s
Result	Test passed

Oscillation/broadband noise

Specification	DIN EN 50155 (VDE 0115-200):2008-03
Spectrum	Long life test category 2, bogie-mounted
Frequency	$f_1 = 5$ Hz to $f_2 = 250$ Hz
ASD level	6.12 (m/s ²) ² /Hz
Acceleration	3.12g
Test duration per axis	5 h
Test directions	X-, Y- and Z-axis
Result	Test passed

Shocks

Specification	DIN EN 50155 (VDE 0115-200):2008-03
Pulse shape	Half-sine
Acceleration	30g
Shock duration	18 ms
Number of shocks per direction	3
Test directions	X-, Y- and Z-axis (pos. and neg.)
Result	Test passed

RT 4-T-P/P - Test disconnect terminal block



3000565

<https://www.phoenixcontact.com/us/products/3000565>

Ambient conditions

Ambient temperature (operation)	-60 °C ... 110 °C (Operating temperature range incl. self-heating; for max. short-term operating temperature, see RTI Elec.)
Ambient temperature (storage/transport)	-25 °C ... 60 °C (for a short time, not exceeding 24 h, -60 °C to +70 °C)
Ambient temperature (assembly)	-5 °C ... 70 °C
Ambient temperature (actuation)	-5 °C ... 70 °C
Permissible humidity (operation)	20 % ... 90 %
Permissible humidity (storage/transport)	30 % ... 70 %

Standards and regulations

Connection in acc. with standard	IEC 60947-7-1
----------------------------------	---------------

Mounting

Mounting type	NS 35/7,5
	NS 35/15

RT 4-T-P/P - Test disconnect terminal block

3000565

<https://www.phoenixcontact.com/us/products/3000565>

Drawings

Connection diagram



Simple current transformer test circuit

a = normal operation

b = measured value testing

c = transformer testing

d = relay testing

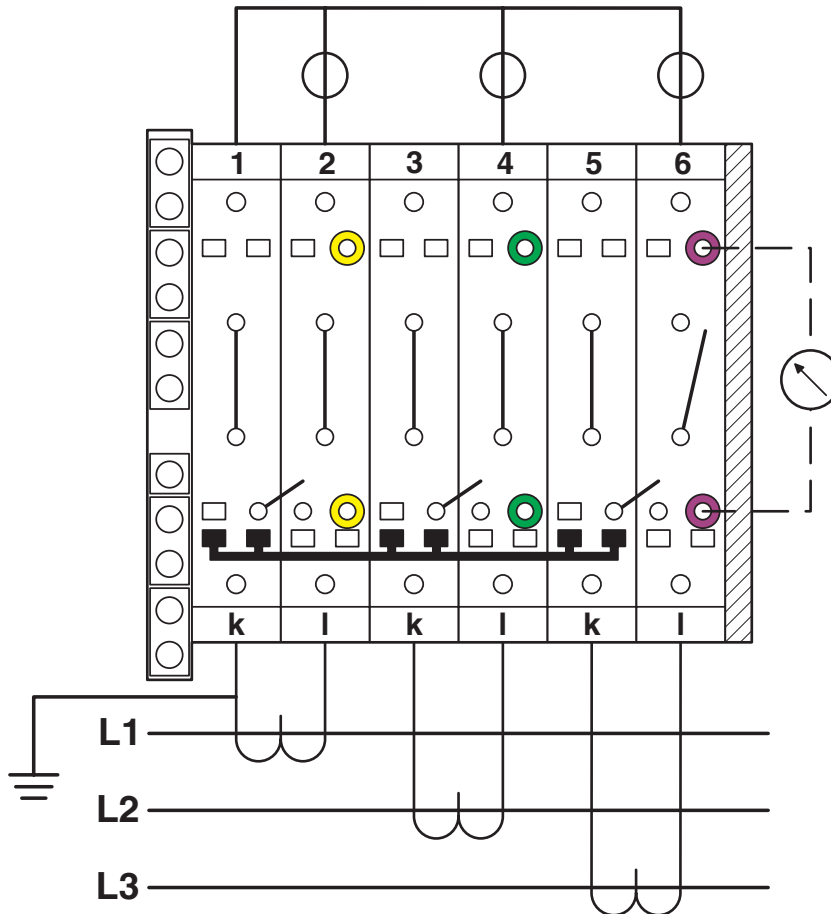
RT 4-T-P/P - Test disconnect terminal block

3000565

<https://www.phoenixcontact.com/us/products/3000565>



Connection diagram



Three-phase transducer test set

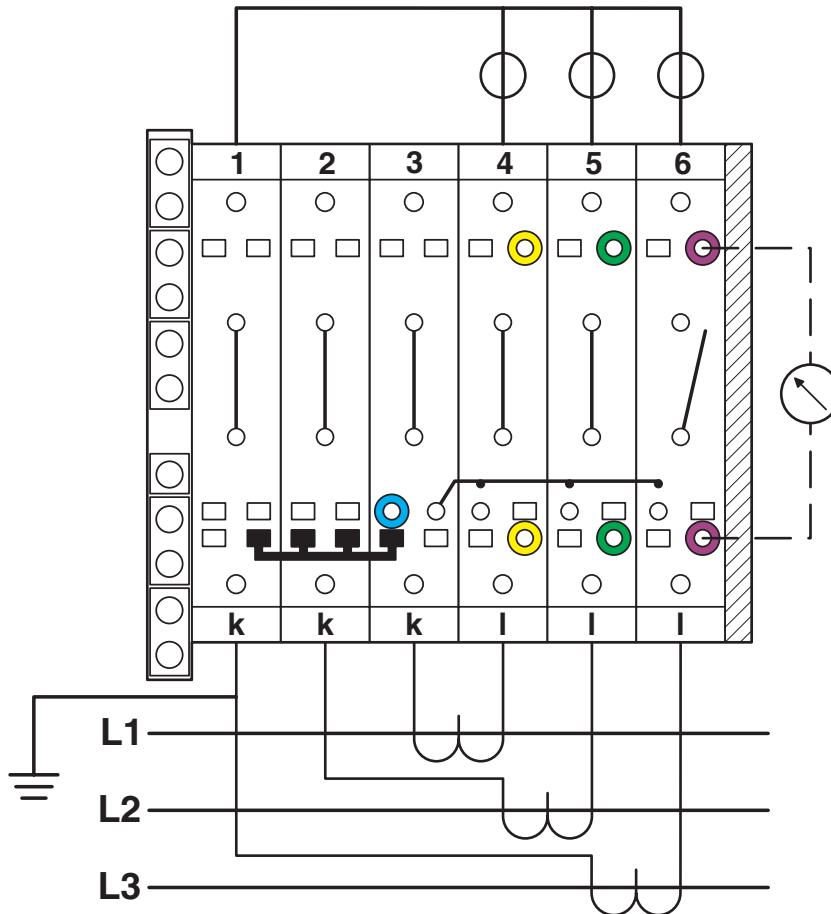
RT 4-T-P/P - Test disconnect terminal block

3000565

<https://www.phoenixcontact.com/us/products/3000565>



Connection diagram



Three-phase linked transducer test set

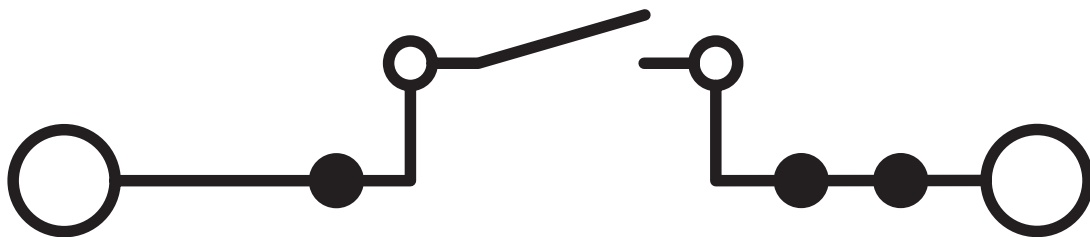
RT 4-T-P/P - Test disconnect terminal block



3000565

<https://www.phoenixcontact.com/us/products/3000565>

Circuit diagram



RT 4-T-P/P - Test disconnect terminal block



3000565

<https://www.phoenixcontact.com/us/products/3000565>

Approvals

To download certificates, visit the product detail page: <https://www.phoenixcontact.com/us/products/3000565>



EAC

Approval ID: RU C-DE.BL08.B.00540



cULus Recognized

Approval ID: E60425

	Nominal voltage U_N	Nominal current I_N	Cross section AWG	Cross section mm^2
B				
	600 V	30 A	-	-
C				
	600 V	30 A	-	-



EAC

Approval ID: KZ7500651131219505

RT 4-T-P/P - Test disconnect terminal block



3000565

<https://www.phoenixcontact.com/us/products/3000565>

Classifications

ECLASS

ECLASS-13.0	27250101
ECLASS-15.0	27250101

ETIM

ETIM 10.0	EC000897
-----------	----------

UNSPSC

UNSPSC 21.0	39121400
-------------	----------

RT 4-T-P/P - Test disconnect terminal block



3000565

<https://www.phoenixcontact.com/us/products/3000565>

Environmental product compliance

EU RoHS

Fulfills EU RoHS substance requirements	Yes, No exemptions
---	--------------------

China RoHS

Environment friendly use period (EFUP)	EFUP-E
	No hazardous substances above the limits

EU REACH SVHC

REACH candidate substance (CAS No.)	No substance above 0.1 wt%
-------------------------------------	----------------------------

Phoenix Contact 2026 © - all rights reserved
<https://www.phoenixcontact.com>

Phoenix Contact USA
586 Fulling Mill Road
Middletown, PA 17057, United States
(+717) 944-1300
info@phoenixcon.com