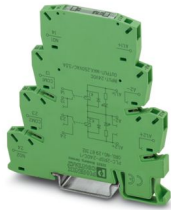


PLC-2RSP-24DC/ 1 - Relay module

2987312

<https://www.phoenixcontact.com/us/products/2987312>

Please be informed that the data shown in this PDF document is generated from our online catalog. Please find the complete data in the user documentation. Our general terms of use for downloads are valid.



PLC-INTERFACE with two independent relays, consisting of PLC-BSP.../21 basic terminal block with spring-cage connection and two integrated relays, power contact, for mounting on DIN rail NS 35/7,5, 2 x 1 N/O contact, input voltage 24 V DC

Your advantages

- Two switching channels in one 6.2 mm housing
- 100% higher channel density than conventional 6.2 mm relays
- Safe isolation according to DIN EN 50178 between coil and contacts and between contacts
- Integrated input circuit/protective circuit
- Screw- and Push-in connection

Commercial data

Item number	2987312
Packing unit	1 pc
Note	Made to order (non-returnable)
Sales key	C461
Product key	DK622C
GTIN	4046356451222
Weight per piece (including packing)	32.5 g
Weight per piece (excluding packing)	32.46 g
Customs tariff number	85364190
Country of origin	DE

PLC-2RSP-24DC/ 1 - Relay module



2987312

<https://www.phoenixcontact.com/us/products/2987312>

Technical data

Product properties

Product type	Relay Module
Product family	PLC-INTERFACE
Application	two integrated relays
Operating mode	100% operating factor
Mechanical service life	2x 10 ⁷ cycles

Insulation characteristics: Air clearances and creepage distances between the power circuits

Insulation	Basic insulation
Overvoltage category	III
Pollution degree	2

Data management status

Date of last data management	12.09.2025
------------------------------	------------

Electrical properties

Maximum power dissipation for nominal condition	0.17 W
Test voltage (Winding/contact)	3 kV AC (50 Hz, 1 min., winding/contact)
Test voltage (Contact/contact)	3 kV AC (50 Hz, 1 min., contact/contact)

Air clearances and creepage distances between the power circuits

Rated insulation voltage	250 V AC
Rated surge voltage	4 kV

Input data

Coil side

Nominal input voltage U_N	24 V DC
Drive and function	monostable
Typical input current at U_N	7 mA
Typical response time	4 ms
Typical release time	6 ms
Protective circuit	Reverse polarity protection; Polarity protection diode Freewheeling diode; Freewheeling diode
Operating voltage display	Yellow LED

Output data

Switching

Contact switching type	2 N/O contacts (2 relays with 1 N/O contact)
Type of switch contact	Single contact
Note regarding the switch contact	2x
Contact material	AgNi
Maximum switching voltage	250 V AC

PLC-2RSP-24DC/ 1 - Relay module



2987312

<https://www.phoenixcontact.com/us/products/2987312>

	30 V DC
Minimum switching voltage	24 V AC/DC
Limiting continuous current	3.5 A
Min. switching current	5 mA
Interrupting rating (ohmic load) max.	84 W (at 24 V DC)
	24 W (at 48 V DC)
	24 W (at 60 V DC)
	31 W (at 110 V DC)
	46 W (at 220 V DC)
	875 VA (for 250 V AC)

Connection data

Coil side

Connection method	Spring-cage connection
Stripping length	8 mm
Conductor cross-section rigid	0.14 mm ² ... 2.5 mm ²
Conductor cross-section flexible	0.14 mm ² ... 2.5 mm ²
Conductor cross-section AWG	26 ... 14

Contact side

Connection method	Spring-cage connection
Stripping length	8 mm
Conductor cross-section rigid	0.14 mm ² ... 2.5 mm ²
Conductor cross-section flexible	0.14 mm ² ... 2.5 mm ²
Conductor cross-section AWG	26 ... 14

Dimensions

Width	6.2 mm
Height	80 mm
Depth	86 mm

Material specifications

Color	green (RAL 6021)
Flammability rating according to UL 94 (Housing)	V0 (Housing)

Environmental and real-life conditions

Ambient conditions

Degree of protection (Relay base)	IP20 (Relay base)
Ambient temperature (operation)	-20 °C ... 60 °C
Ambient temperature (storage/transport)	-20 °C ... 60 °C

Standards and regulations

Air clearances and creepage distances between the power circuits

Standards/regulations	IEC 60664
-----------------------	-----------

PLC-2RSP-24DC/ 1 - Relay module



2987312

<https://www.phoenixcontact.com/us/products/2987312>

	EN 50178
--	----------

Mounting

Mounting type	DIN rail mounting
Assembly note	in rows with zero spacing
Mounting position	any

PLC-2RSP-24DC/ 1 - Relay module

2987312

<https://www.phoenixcontact.com/us/products/2987312>

Drawings

Application drawing



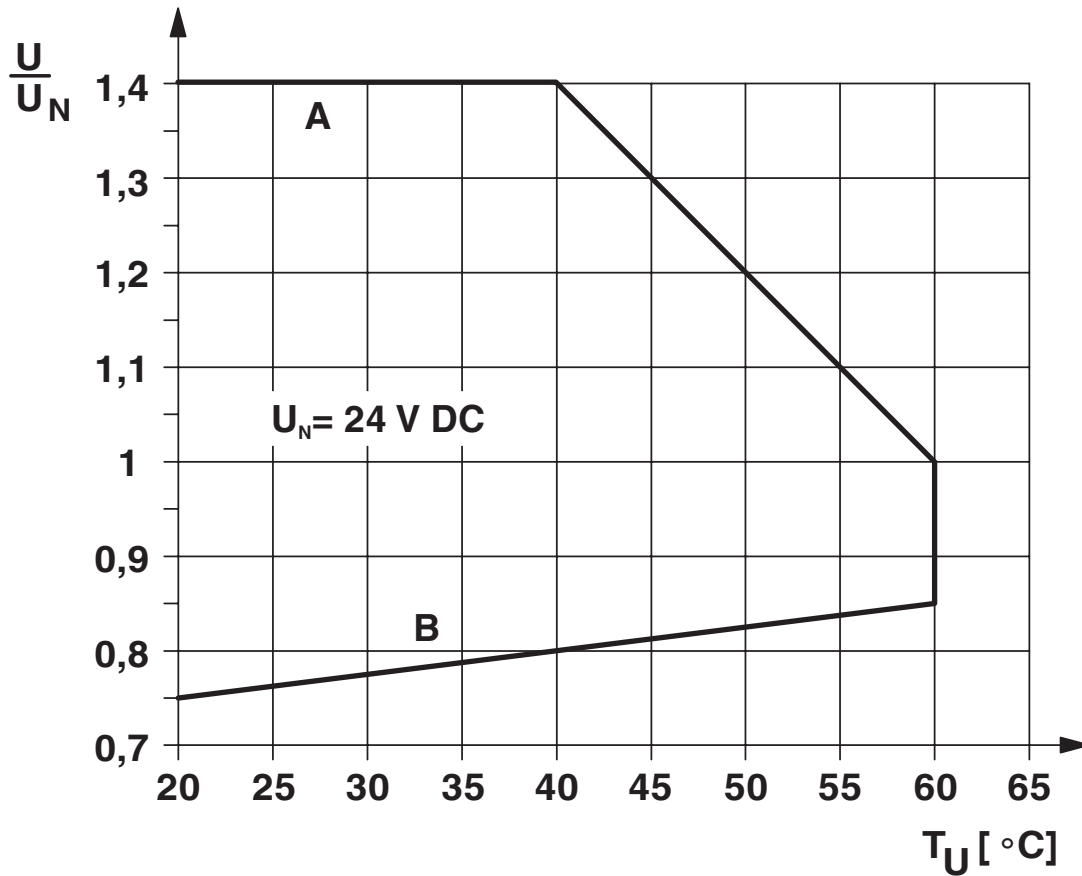
Diagram



① DC, ohmic load

Interrupting rating

Diagram



Operating voltage range

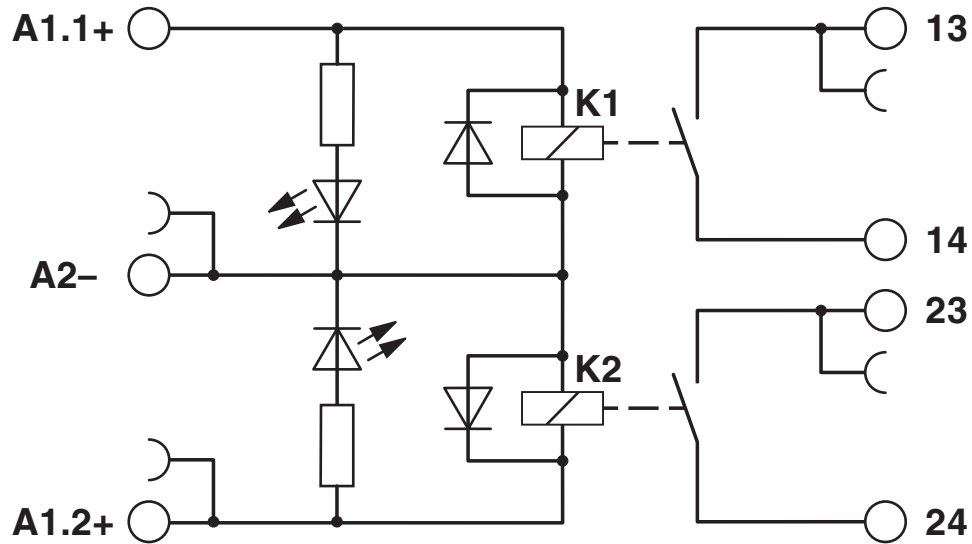
PLC-2RSP-24DC/ 1 - Relay module



2987312

<https://www.phoenixcontact.com/us/products/2987312>

Circuit diagram



Phoenix Contact 2026 © - all rights reserved
<https://www.phoenixcontact.com>

Phoenix Contact USA
586 Fulling Mill Road
Middletown, PA 17057, United States
(+717) 944-1300
info@phoenixcon.com