

PLC-RSP- 72UC/21-21AU/RW - Relay module



2987134

<https://www.phoenixcontact.com/us/products/2987134>

Please be informed that the data shown in this PDF document is generated from our online catalog. Please find the complete data in the user documentation. Our general terms of use for downloads are valid.



PLC-INTERFACE for railway applications, consisting of basic terminal block with spring-cage connection and plug-in miniature relay with multi-layer gold contact, range: $0.7 \times U_N$ to $1.25 \times U_N$, temperature class TX: -40°C to $+70^\circ\text{C}$, 2 changeover contacts, input voltage 72 V DC

Your advantages

- Optimum relay operation thanks to wide-range electronics
- Certified in accordance with EN 50155
- Vibration and shock resistance in accordance with EN 50155
- Safe isolation between coil and contact side
- Temperature range: -40°C ... $+70^\circ\text{C}$ (short-term 85°C)
- Input voltage range of 0.7 to $1.25 \times U_N$ ($1.4 \times U_N$ briefly)

Commercial data

| | |
|--------------------------------------|--------------------------------|
| Item number | 2987134 |
| Packing unit | 10 pc |
| Minimum order quantity | 1 pc |
| Note | Made to order (non-returnable) |
| Product key | DK622D |
| GTIN | 4046356155397 |
| Weight per piece (including packing) | 64.73 g |
| Weight per piece (excluding packing) | 35.8 g |
| Country of origin | DE |

Technical data

Product properties

| | |
|-------------------------|--------------------------------|
| Product type | Relay Module |
| Product family | PLC-INTERFACE |
| Application | Railway applications |
| Environment | Attached to the vehicle body |
| Operating mode | 100% operating factor |
| Mechanical service life | approx. 3×10^7 cycles |

Insulation characteristics

| | |
|----------------------|------------------|
| Insulation | Basic insulation |
| Overvoltage category | III |
| Pollution degree | 2 |

Data management status

| | |
|------------------------------|------------|
| Date of last data management | 12.09.2025 |
|------------------------------|------------|

Electrical properties

| | |
|--|--|
| Maximum power dissipation for nominal condition | 0.43 W |
| Test voltage (Winding/contact) | 5 kV _{rms} (50 Hz, 1 min., winding/contact) |
| Test voltage (Changeover contact/changeover contact) | 2.5 kV _{rms} (50 Hz, 1 min., changeover contact/changeover contact) |
| Rated insulation voltage | 250 V AC |
| Rated surge voltage | 6 kV |

Input data

Coil side

| | |
|---|--|
| Nominal input voltage U_N | 72 V DC |
| Input voltage range | 50.4 V DC ... 90 V DC |
| Input voltage range in reference to U_N | 0.7 ... 1.25 |
| Drive and function | monostable |
| Typical input current at U_N | 6 mA |
| Typical response time | 5 ms |
| Typical release time | 11 ms |
| Coil voltage | 48 V DC |
| Protective circuit | Bridge rectifier; Bridge rectifier |
| | Freewheeling diode; Freewheeling diode |
| | Surge protection |
| | RCZ filter |
| | Wide-range electronics |
| Operating voltage display | Yellow LED |

Output data

PLC-RSP- 72UC/21-21AU/RW - Relay module



2987134

<https://www.phoenixcontact.com/us/products/2987134>

Switching

| | |
|---------------------------------------|------------------------|
| Contact switching type | 2 changeover contacts |
| Type of switch contact | Single contact |
| Contact material | AgNi, hard gold-plated |
| Maximum switching voltage | 30 V AC 36 V DC |
| Minimum switching voltage | 100 mV (at 10 mA) |
| Limiting continuous current | 50 mA |
| Maximum inrush current | 50 mA |
| Min. switching current | 1 mA (at 24 V) |
| Interrupting rating (ohmic load) max. | 1.2 W (at 24 V DC) |

Switching: when the gold layer is destroyed

| | |
|---------------------------------------|---|
| Note | the following values are applicable if a gold layer is destroyed |
| Maximum switching voltage | 250 V AC/DC (Separating plate PLC-ATP must be installed for voltages larger than 250 V (L1, L2, L3) between identical terminal blocks in adjacent modules.) |
| Minimum switching voltage | 12 V AC/DC |
| Limiting continuous current | 6 A |
| Maximum inrush current | 15 A (300 ms) |
| Min. switching current | 10 mA |
| Interrupting rating (ohmic load) max. | 140 W (at 24 V DC) 100 W (at 48 V DC) 60 W (at 60 V DC) 44 W (at 110 V DC) 60 W (at 220 V DC) 1500 VA (for 250 V AC) |
| Switching capacity | 2 A (at 24 V, DC13) 0.2 A (at 110 V, DC13) 0.2 A (at 250 V, DC13) 2 A (at 24 V, AC15) 2 A (at 120 V, AC15) 2 A (at 250 V, AC15) |

Connection data

Coil side

| | |
|----------------------------------|--|
| Connection method | Spring-cage connection |
| Stripping length | 8 mm |
| Conductor cross-section rigid | 0.14 mm ² ... 2.5 mm ² |
| Conductor cross-section flexible | 0.14 mm ² ... 2.5 mm ² |
| Conductor cross-section AWG | 26 ... 14 |

Contact side

PLC-RSP- 72UC/21-21AU/RW - Relay module



2987134

<https://www.phoenixcontact.com/us/products/2987134>

| | |
|----------------------------------|--|
| Connection method | Spring-cage connection |
| Stripping length | 8 mm |
| Conductor cross-section rigid | 0.14 mm ² ... 2.5 mm ² |
| Conductor cross-section flexible | 0.14 mm ² ... 2.5 mm ² |
| Conductor cross-section AWG | 26 ... 14 |

Dimensions

| | |
|--------|-------|
| Width | 14 mm |
| Height | 80 mm |
| Depth | 94 mm |

Material specifications

| | |
|--|------------------|
| Color | green (RAL 6021) |
| Flammability rating according to UL 94 (Housing) | V0 (Housing) |

Environmental and real-life conditions

Ambient conditions

| | |
|---|---|
| Degree of protection (Relay base) | IP20 (Relay base) |
| Degree of protection (Relay) | RT III (Relay) |
| Ambient temperature (operation) | -40 °C ... 70 °C (Temperature class TX) |
| Ambient temperature (storage/transport) | -40 °C ... 85 °C |

Standards and regulations

| | |
|-----------------------|------------------------------|
| Standards/regulations | EN 50155 (VDE 0115 part 200) |
| | IEC 60947-5-1 |
| | EN 61373 |
| | EN 50121 |

Mounting

| | |
|-------------------|---------------------------|
| Mounting type | DIN rail mounting |
| Assembly note | in rows with zero spacing |
| Mounting position | any |

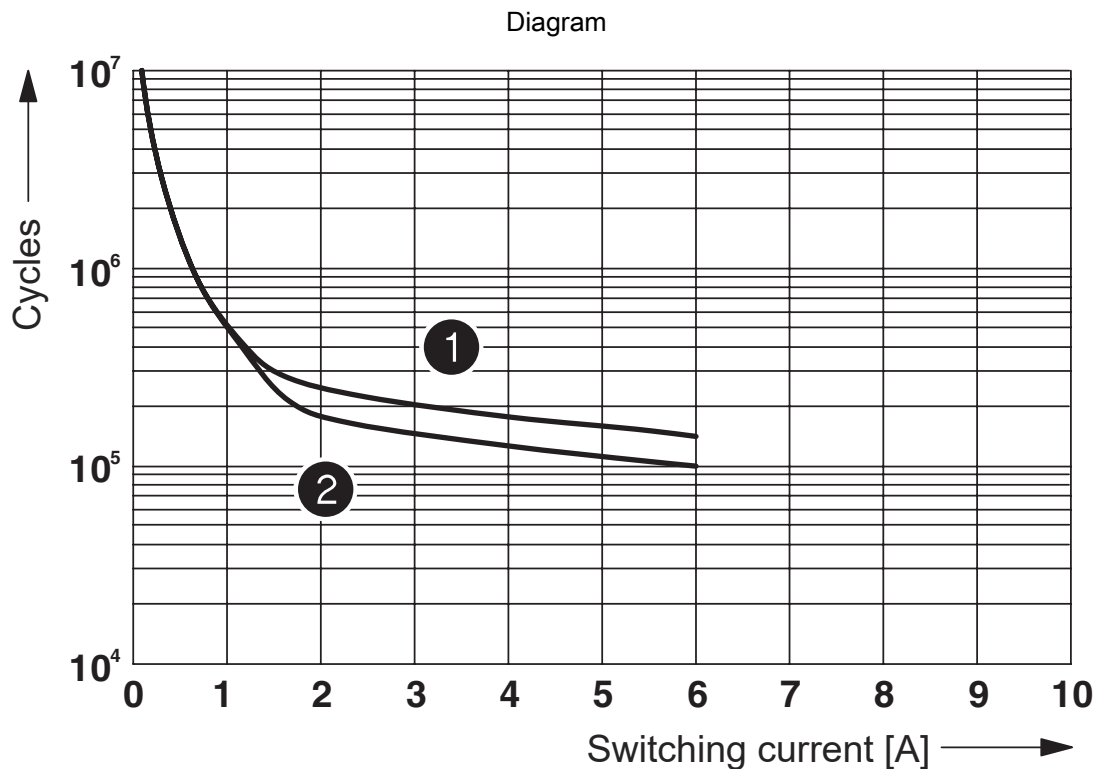
Drawings

Diagram



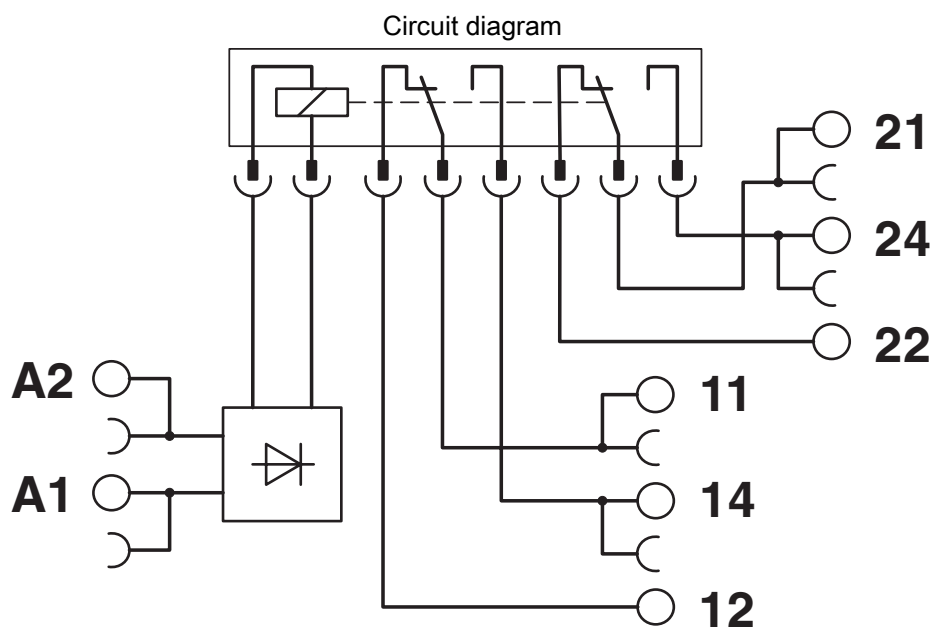
- ① AC, ohmic load
- ② DC, ohmic load, contacts in series
- ③ DC, ohmic load
- ④ DC, L/R = 40 ms

Interrupting rating



- ① 250 V AC, ohmic load (DC coils)
- ② 250 V AC, ohmic load (AC coils)

Electrical service life



PLC-RSP- 72UC/21-21AU/RW - Relay module



2987134

<https://www.phoenixcontact.com/us/products/2987134>

Environmental product compliance

China RoHS

| | |
|--|---|
| Environment friendly use period (EFUP) | EFUP-50 |
| | An article-related China RoHS declaration table can be found in the download area for the respective article under "Manufacturer declaration". For all articles with EFUP-E, no China RoHS declaration table issued and required. |

EU REACH SVHC

| | |
|-------------------------------------|----------------------------|
| REACH candidate substance (CAS No.) | No substance above 0.1 wt% |
|-------------------------------------|----------------------------|

Phoenix Contact 2026 © - all rights reserved
<https://www.phoenixcontact.com>

Phoenix Contact USA
586 Fulling Mill Road
Middletown, PA 17057, United States
(+717) 944-1300
info@phoenixcon.com