

PSR-SPP- 24DC/ETP/1X1 - Coupling relay



2986562

<https://www.phoenixcontact.com/us/products/2986562>

Please be informed that the data shown in this PDF document is generated from our online catalog. Please find the complete data in the user documentation. Our general terms of use for downloads are valid.



Coupling relay for SIL 3 low-demand applications, couples digital output signals to the I/O, 1 enabling current path, module for F&G applications, test pulse filter, width: 17.5 mm, pluggable Push-in terminal block

Your advantages

- Narrow 17.5 mm housing
- Up to SIL 3 in accordance with IEC 61508
- Long service life thanks to filtering of controller test pulses
- 1 enabling current path
- Couples digital output signals from failsafe controllers to I/O devices (valves, etc.) for electrical isolation and power adaptation

Commercial data

Item number	2986562
Packing unit	1 pc
Note	Made to order (non-returnable)
Sales key	DN01
Product key	DNA161
GTIN	4046356540780
Weight per piece (including packing)	186.7 g
Weight per piece (excluding packing)	186.7 g
Customs tariff number	85364900
Country of origin	DE

PSR-SPP- 24DC/ETP/1X1 - Coupling relay



2986562

<https://www.phoenixcontact.com/us/products/2986562>

Technical data

Product properties

Product type	Coupling relay
Application	Safe switch on
	Low demand
Control	1-channel
Mechanical service life	approx. 10^7 cycles
Relay type	Electromechanical relay with force-guided contacts in accordance with IEC/EN 61810-3

Insulation characteristics: Air clearances and creepage distances between the power circuits

Overvoltage category	III
Degree of pollution	2

Electrical properties

Maximum power dissipation for nominal condition	1.8 W
Nominal operating mode	100% operating factor

Air clearances and creepage distances between the power circuits

Rated insulation voltage	250 V AC
Rated surge voltage/insulation	6 kV/safe isolation (through protective impedance)

Input data

General

Nominal input voltage U_N	24 V DC
Input voltage range	20.4 V DC ... 26.4 V DC
Input voltage range in reference to U_N	0.85 ... 1.1
Typical input current at U_N	75 mA
Inrush current	200 mA
Typical response time	30 ms
Recovery time	1 s
Operating voltage display	Green LED (POWER)

Output data

Contact switching type	1 enabling current path
Contact material	AgNi, gold-flashed
Maximum switching voltage	250 V AC (125 V DC)
Minimum switching voltage	15 V AC/DC
Limiting continuous current	5 A (N/O contact, pay attention to the derating)
Maximum inrush current	5 A
Inrush current, minimum	100 mA
Sq. Total current	$25 A^2 (I_{TH2} = I_{12} + \dots + I_{N2})$
Switching power min.	1.5 W

PSR-SPP- 24DC/ETP/1X1 - Coupling relay



2986562

<https://www.phoenixcontact.com/us/products/2986562>

Connection data

Connection technology

pluggable	yes
-----------	-----

Conductor connection

Connection method	Push-in connection
Conductor cross-section, rigid	0.2 mm ² ... 1.5 mm ²
Conductor cross-section, flexible	0.2 mm ² ... 1.5 mm ²
Conductor cross-section, flexible, with ferrule, with plastic sleeve	0.25 mm ² ... 1.5 mm ² (only together with CRIMPFOX 6)
Conductor cross-section, flexible, with ferrule, without plastic sleeve	0.25 mm ² ... 1.5 mm ² (only together with CRIMPFOX 6)
Conductor cross-section AWG	24 ... 16
Stripping length	8 mm

Dimensions

Width	17.5 mm
Height	112 mm
Depth	114.5 mm

Material specifications

Color	yellow
Housing material	PA

Characteristics

Safety data: IEC 61508 - Low demand

Safety Integrity Level (SIL)	3
------------------------------	---

Environmental and real-life conditions

Ambient conditions

Degree of protection	IP20
Min. degree of protection of inst. location	IP54
Ambient temperature (operation)	-20 °C ... 55 °C
Ambient temperature (storage/transport)	-40 °C ... 65 °C
Maximum altitude	≤ 2000 m (Above sea level)
Max. permissible humidity (storage/transport)	≤ 85 % (Condensation and icing are not permitted based on the average annual temperature) ≤ 85 % (On an individual basis, condensation and icing are not permitted)
Shock	15g
Vibration (operation)	10 Hz ... 150 Hz, 2g

Approvals

Conformity/Approvals

PSR-SPP- 24DC/ETP/1X1 - Coupling relay



2986562

<https://www.phoenixcontact.com/us/products/2986562>

UL, USA / Canada	UL applied for
Functional Safety (SIL)	SIL 3 acc. to IEC 61508

Standards and regulations

Air clearances and creepage distances between the power circuits

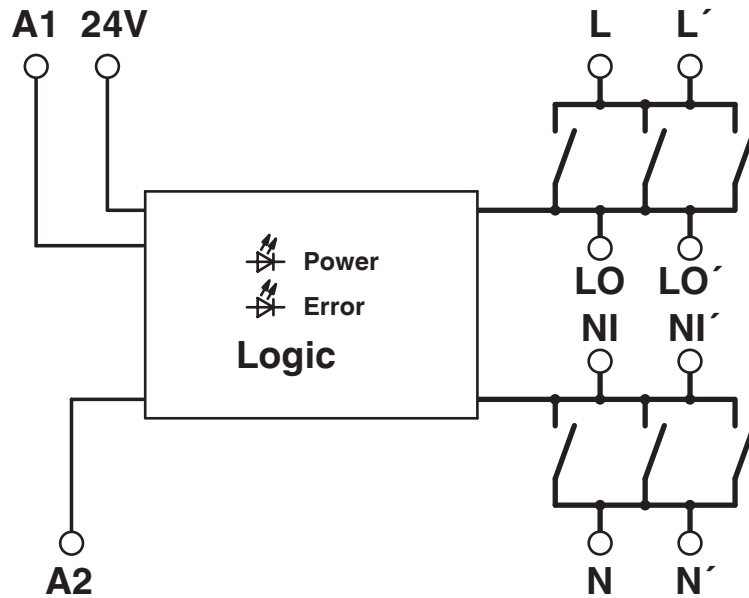
Standards/regulations	DIN EN 50178
-----------------------	--------------

Mounting

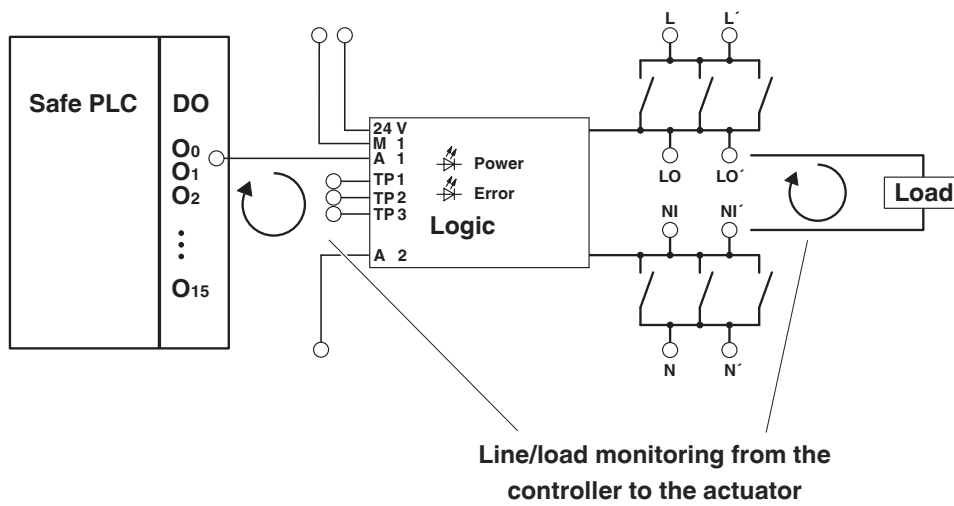
Mounting type	DIN rail mounting
Assembly note	in rows with zero spacing
Mounting position	optional (Observe derating)

Drawings

Circuit diagram



Circuit diagram



PSR-SPP- 24DC/ETP/1X1 - Coupling relay



2986562

<https://www.phoenixcontact.com/us/products/2986562>

Classifications

UNSPSC

UNSPSC 21.0	39122205
-------------	----------

PSR-SPP- 24DC/ETP/1X1 - Coupling relay



2986562

<https://www.phoenixcontact.com/us/products/2986562>

Environmental product compliance

EU RoHS

Fulfills EU RoHS substance requirements	Yes
Exemption	7(a), 7(c)-I

China RoHS

Environment friendly use period (EFUP)	EFUP-50
	An article-related China RoHS declaration table can be found in the download area for the respective article under "Manufacturer declaration". For all articles with EFUP-E, no China RoHS declaration table issued and required.

EU REACH SVHC

REACH candidate substance (CAS No.)	Lead(CAS: 7439-92-1)
-------------------------------------	----------------------

Phoenix Contact 2026 © - all rights reserved
<https://www.phoenixcontact.com>

Phoenix Contact USA
586 Fulling Mill Road
Middletown, PA 17057, United States
(+717) 944-1300
info@phoenixcon.com