

PSR-SCP- 24DC/TS/SDI8/SDIO4 - Extension module



2986038

<https://www.phoenixcontact.com/us/products/2986038>

Please be informed that the data shown in this PDF document is generated from our online catalog. Please find the complete data in the user documentation. Our general terms of use for downloads are valid.



PSR-TRISAFE-M input/output extension module with 8 safe inputs and 4 safe, configurable channels (choice of safe inputs or outputs), 2 clock/alarm outputs, up to SIL 3, Cat. 4/PL e, SIL 3, EN 50156, plug-in screw connection terminal blocks

Your advantages

- Flexible extension with safe inputs and outputs
- Up to Cat. 4/PL e in accordance with ISO 13849-1, SIL 3 in accordance with EN IEC 62061, SIL 3 in accordance with IEC 61508
- EN 50156
- 2 alarm outputs or 2 clock outputs (that can be configured using SAFECONF)
- Quick startup thanks to comprehensive simulation and test functions
- Easy graphical configuration instead of complex programming
- Multifunctional use for a wide range of safety functions
- Including PSR-TBUS connector (DIN rail connector) for adapting to the PSR-TRISAFE-M master module
- 4 safe digital outputs or 4 additional digital inputs (that can be configured using SAFECONF)
- 8 safe digital inputs
- Narrow 22.5 mm housing

Commercial data

Item number	2986038
Packing unit	1 pc
Minimum order quantity	1 pc
Sales key	DN02
Product key	DNA341
GTIN	4046356451871
Weight per piece (including packing)	183 g
Weight per piece (excluding packing)	130 g
Customs tariff number	85364900
Country of origin	DE

Technical data

Notes

Note on application

Note on application	Only for industrial use
---------------------	-------------------------

Product properties

Product type	Safety device
Application	PSR-TRISAFE-M extension module
Control	1 and 2 channel

Insulation characteristics: Air clearances and creepage distances between the power circuits

Overvoltage category	III
Pollution degree	2

Times

Response time	max. 30 ms (plus response time of PSR-TS-SDOR4)
Recovery time	< 10 s

Electrical properties

Maximum power dissipation for nominal condition	2323 mW (at f = 8, g = 2, h = 4, $I_{\text{clock}} = 50 \text{ mA}$, $I_{\text{OUT/GND}} = 500 \text{ mA}$)
Nominal operating mode	100% operating factor
Interfaces	DIN rail TBUS for connection to the master module, supplied as standard

Supply

Rated control circuit supply voltage U_S	18 V DC ... 30 V DC (Incl. all tolerances, incl. residual ripple)
Rated control circuit supply voltage U_S	24 V DC (Electrical supply via PSR-TBUS)
Rated control supply current I_S	Electrical supply via PSR-TBUS
	typ. 51.6 mA (No inputs or outputs set, A1/A2 open)
	typ. 66 mA (All inputs and safe outputs set)
Filter time	typ. 20 ms (Load-dependent, in the event of voltage dips at U_S)
Protective circuit	Yes, within the scope of the operating voltage limits
Status display	1 x LED (green) , 1 x LED (red)

Input data

Digital

Description of the input	Digital input
Number of inputs	12 (Of which 4 can be configured as input or output)
Input voltage range "0" signal	0 V DC ... 5 V DC (for safe Off)
Input voltage range "1" signal	11 V DC ... 30 V DC
Cable length	max. 2000 m
Status display	12 LEDs (green)

PSR-SCP- 24DC/TS/SDI8/SDIO4 - Extension module



2986038

<https://www.phoenixcontact.com/us/products/2986038>

Current consumption	typ. 4 mA
---------------------	-----------

Output data

Digital

Number of outputs	4 (If the configurable inputs/outputs are used as outputs)
Note on protection circuit	Yes, within the scope of the operating voltage limits
Short-circuit protection	Yes
Max. capacitive load	max. 1 μ F (Electronic components)
Max. inductive load	See "Protective circuit"
Nominal output voltage	24 V DC (Supply via A1/A2)
Nominal output voltage range	18 V DC ... 30 V DC (Incl. all tolerances, incl. residual ripple)
Status display	4 x LED (green)
Test pulses	< 1 ms

Clock/signal

Output description	digital
Number of outputs	2
Voltage	24 V DC (Supply via A1/A2)
Limiting continuous current	50 mA
Test pulses	~ 1 ms
Short-circuit protection	Yes

Connection data

Connection technology

pluggable	yes
-----------	-----

Conductor connection

Connection method	Screw connection
Conductor cross-section rigid	0.2 mm ² ... 2.5 mm ²
Conductor cross-section flexible	0.2 mm ² ... 2.5 mm ²
Conductor cross-section AWG	24 ... 12
Stripping length	7 mm
Screw thread	M3
Tightening torque	0.5 Nm ... 0.6 Nm 5 lb _F -in. ... 7 lb _F -in.

Dimensions

Width	22.5 mm
Height	99 mm
Depth	114.5 mm

Material specifications

Color	yellow
Housing material	Polyamide PA non-reinforced

Characteristics

Safety data

Stop category (EN 60204-1)	0
----------------------------	---

Safety data: EN ISO 13849

Performance level (PL)	d (1-channel parameterization)
	e (2-channel parameterization)

Safety data: EN 50156

Safety Integrity Level (SIL)	max. 3 (Reference IEC 61508)
------------------------------	------------------------------

Safety data: IEC 61508 - High demand

Safety Integrity Level (SIL)	2 (1-channel parameterization)
	3 (2-channel parameterization)

Safety data: IEC 61508 - Low demand

Safety Integrity Level (SIL)	2 (1-channel parameterization)
	3 (2-channel parameterization)

Safety data: EN IEC 62061

Safety Integrity Level (SIL)	2 (1-channel parameterization)
	3 (2-channel parameterization)

Environmental and real-life conditions

Ambient conditions

Degree of protection	IP20
Min. degree of protection of inst. location	IP54
Ambient temperature (operation)	-20 °C ... 55 °C
Ambient temperature (storage/transport)	-20 °C ... 70 °C
Maximum altitude	max. 2000 m (See Appendix "Using PSR-TRISAFE modules at altitudes greater than 2000 m above sea level")
Max. permissible humidity (storage/transport)	75 % (On average, 85 % occasionally)
Max. permissible relative humidity (operation)	75 % (On average, 85 % occasionally)
Shock (operation)	10g ($\Delta t = 11$ ms, three shocks in each space direction)
	10g ($\Delta t = 16$ ms, continuous shock, 1000 shocks in each space direction)
Vibration (operation)	2g
Air pressure (operation)	70 kPa ... 108 kPa (up to 3000 m above sea level)
Air pressure (storage/transport)	66 kPa ... 108 kPa (up to 3500 m above sea level)

Standards and regulations

Air clearances and creepage distances between the power circuits

Standards/regulations	DIN EN 50178
-----------------------	--------------

Mounting

PSR-SCP- 24DC/TS/SDI8/SDIO4 - Extension module



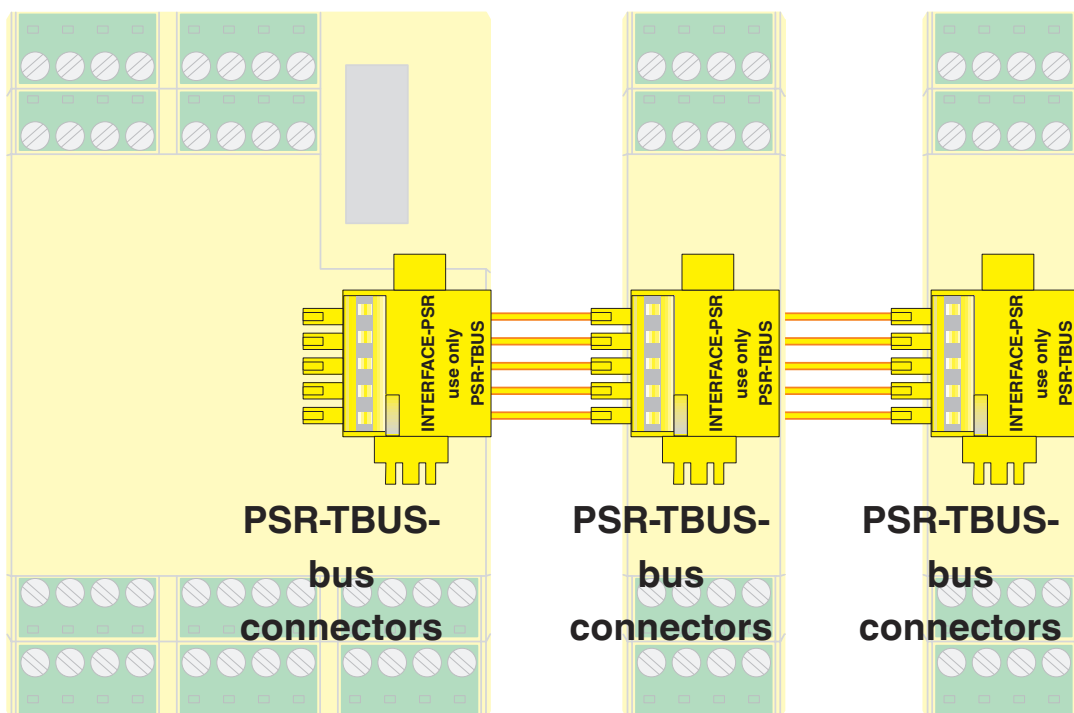
2986038

<https://www.phoenixcontact.com/us/products/2986038>

Mounting type	DIN rail mounting
Mounting position	On horizontal DIN rail

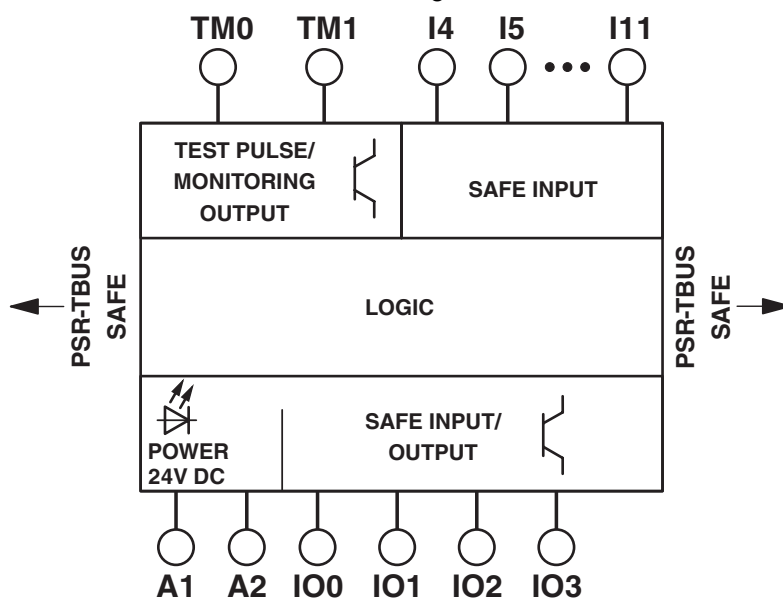
Drawings

Connection diagram



PSR-TBUS DIN rail connectors are used for cross-wiring between the modules.

Circuit diagram



2986038

<https://www.phoenixcontact.com/us/products/2986038>

Approvals

To download certificates, visit the product detail page: <https://www.phoenixcontact.com/us/products/2986038>



cULus Listed

Approval ID: E140324



Functional Safety

Approval ID: 01/205/5151.05/25

2986038

<https://www.phoenixcontact.com/us/products/2986038>

Classifications

ECLASS

ECLASS-13.0

27371819

ETIM

ETIM 9.0

EC001449

UNSPSC

UNSPSC 21.0

39122200

2986038

<https://www.phoenixcontact.com/us/products/2986038>

Environmental product compliance

EU RoHS

Fulfills EU RoHS substance requirements	Yes
Exemption	7(a), 7(c)-I

China RoHS

Environment friendly use period (EFUP)	EFUP-50
	An article-related China RoHS declaration table can be found in the download area for the respective article under "Manufacturer declaration". For all articles with EFUP-E, no China RoHS declaration table issued and required.

EU REACH SVHC

REACH candidate substance (CAS No.)	Lead(CAS: 7439-92-1)
	2,2',6,6'-tetrabromo-4,4'-isopropylidenediphenol(CAS: 79-94-7)

Phoenix Contact 2026 © - all rights reserved

<https://www.phoenixcontact.com>

Phoenix Contact USA
 586 Fulling Mill Road
 Middletown, PA 17057, United States
 (+717) 944-1300
info@phoenixcon.com