

PLC-OSC- 24DC/230AC/ 2/ACT - Solid-state relay module



2982760

<https://www.phoenixcontact.com/us/products/2982760>

Please be informed that the data shown in this PDF document is generated from our online catalog. Please find the complete data in the user documentation. Our general terms of use for downloads are valid.



PLC-INTERFACE for output functions, consisting of PLC-BSC.../ACT basic terminal block with screw connection and plug-in miniature solid-state relay, for mounting on DIN rail NS 35/7,5, 1 N/O contact, input: 24 V DC, output: 24 - 253 V AC/2 A

Your advantages

- PLC actuator series with solid-state power relays for coupling the controller and actuators, such as motors, contactors, valves, etc.

Commercial data

Item number	2982760
Packing unit	10 pc
Minimum order quantity	10 pc
Sales key	C461
Product key	DK6234
GTIN	4046356342612
Weight per piece (including packing)	70 g
Weight per piece (excluding packing)	72.1 g
Customs tariff number	85364190
Country of origin	DE

PLC-OSC- 24DC/230AC/ 2/ACT - Solid-state relay module



2982760

<https://www.phoenixcontact.com/us/products/2982760>

Technical data

Product properties

Product type	Solid-state relay module
Product family	PLC-INTERFACE
Application	Output function
Operating mode	100% operating factor

Insulation characteristics: Air clearances and creepage distances between the power circuits

Insulation	Basic insulation
Overvoltage category	III
Pollution degree	2

Data management status

Date of last data management	01.04.2026
------------------------------	------------

Electrical properties

Maximum power dissipation for nominal condition	0.22 W
Test voltage (Input/output)	2.5 kV _{rms} (50 Hz, 1 min.)

Air clearances and creepage distances between the power circuits

Rated insulation voltage	250 V AC
Rated surge voltage	4 kV

Input data

Rated actuating voltage U_C	24 V DC
Voltage range with reference to U_C	0.8 ... 1.2
Rated actuating current I_C	9 mA
Nominal voltage (plugged-in solid-state relay)	24 V DC
Switching threshold "0" signal in reference to U_N	≤ 0.4
Switching threshold "1" signal in reference to U_N	≥ 0.8
Typical response time	10 ms
Typical turn-off time	10 ms
Operating voltage display	Yellow LED
Protective circuit	Reverse polarity protection; Polarity protection diode Freewheeling diode; Freewheeling diode
Transmission frequency	10 Hz

Output data

Contact switching type	1 N/O contact
Design of digital output	electronic
Output voltage range	24 V AC ... 253 V AC
Limiting continuous current	2 A (see derating curve)
Min. load current	25 mA
Leakage current	1 mA

PLC-OSC- 24DC/230AC/ 2/ACT - Solid-state relay module



2982760

<https://www.phoenixcontact.com/us/products/2982760>

Surge current	30 A (tp = 10 ms)
Phase angle cos phi min	0.5
Max. load value	4 A ² s (tp = 10 ms, at 25 °C)
Peak offstate voltage	600 V
Voltage drop at max. limiting continuous current	1 V
Output circuit	2-conductor floating, zero voltage switch
Protective circuit	RC element

Connection data

Connection method	Screw connection
Stripping length	8 mm
Screw thread	M3
Conductor cross-section rigid	0.14 mm ² ... 2.5 mm ²
Conductor cross-section flexible	0.14 mm ² ... 2.5 mm ²
	0.2 mm ² ... 2.5 mm ² (Single ferrule)
	2x 0.5 mm ² ... 1.5 mm ² (TWIN ferrule)
Conductor cross-section AWG	26 ... 14
Tightening torque	0.6 Nm ... 0.8 Nm

Dimensions

Item dimensions

Width	14 mm
Height	80 mm
Depth	94 mm

Material specifications

Color	gray (RAL 7042)
Flammability rating according to UL 94 (Housing)	V0 (Housing)

Environmental and real-life conditions

Ambient conditions

Degree of protection (Relay)	IP20
Degree of protection (Installation location)	≤ IP54
Ambient temperature (operation)	-20 °C ... 60 °C
Ambient temperature (storage/transport)	-25 °C ... 85 °C
Altitude	≤ 2000 m

Approvals

CE

Certificate	CE-compliant
-------------	--------------

UKCA

Certificate	UKCA-compliant
-------------	----------------

PLC-OSC- 24DC/230AC/ 2/ACT - Solid-state relay module



2982760

<https://www.phoenixcontact.com/us/products/2982760>

Shipbuilding approval

Certificate	TAE0000196
-------------	------------

Corrosive gas test

Identification	ISA-S71.04. G3 Harsh Group
	EN 60068-2-60

Shipbuilding data

Temperature	D
Humidity	A
Vibration	B/C
EMC	B
Enclosure	Required protection according to the Rules shall be provided upon installation on board

EMC data

Electromagnetic compatibility	Conformance with EMC directive
Low Voltage Directive	Conformance with Low Voltage Directive

Standards and regulations

Air clearances and creepage distances between the power circuits

Standards/regulations	IEC 60947-5-1
-----------------------	---------------

Mounting

Mounting type	DIN rail mounting
Assembly note	in rows with zero spacing

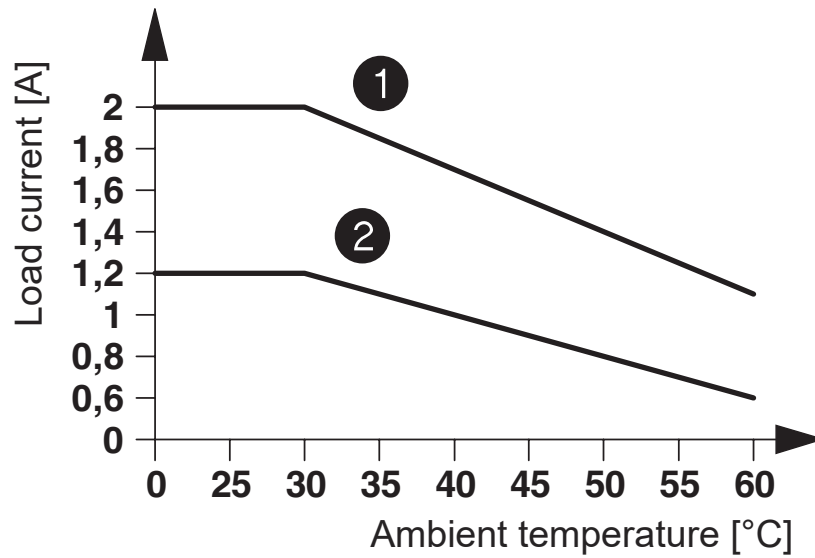
PLC-OSC- 24DC/230AC/ 2/ACT - Solid-state relay module

2982760

<https://www.phoenixcontact.com/us/products/2982760>

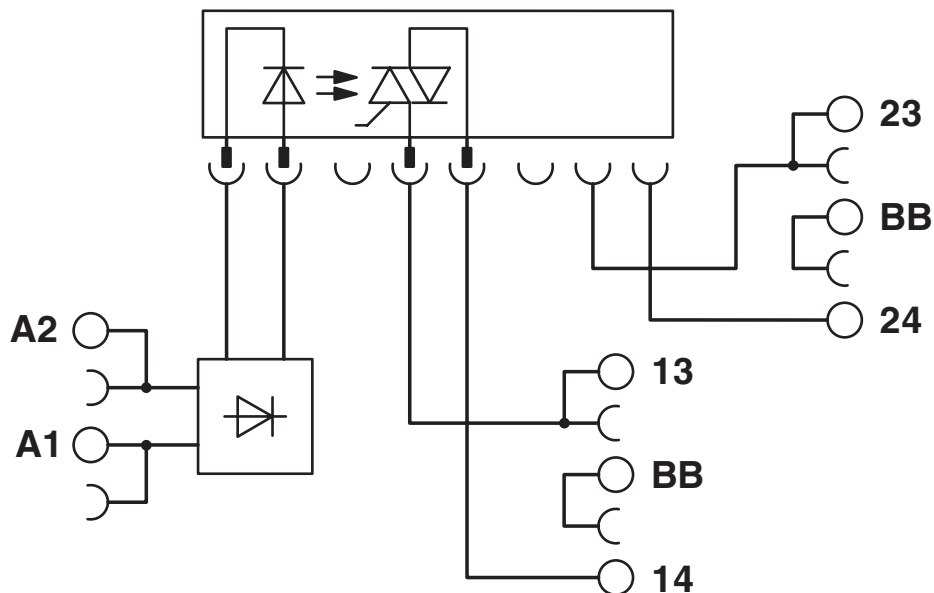
Drawings

Diagram



- ① In rows with 10 mm spacing
- ② In rows with zero spacing

Circuit diagram



PLC-OSC- 24DC/230AC/ 2/ACT - Solid-state relay module



2982760

<https://www.phoenixcontact.com/us/products/2982760>

Approvals

To download certificates, visit the product detail page: <https://www.phoenixcontact.com/us/products/2982760>



EAC

Approval ID: RU*C-DE.*08.B.00010



DNV GL

Approval ID: TAE0000196



cULus Listed

Approval ID: E140324



cULus Listed

Approval ID: E140324

PLC-OSC- 24DC/230AC/ 2/ACT - Solid-state relay module



2982760

<https://www.phoenixcontact.com/us/products/2982760>

Classifications

ECLASS

ECLASS-13.0	27371604
ECLASS-15.0	27371604

ETIM

ETIM 10.0	EC001504
-----------	----------

UNSPSC

UNSPSC 21.0	39122300
-------------	----------

PLC-OSC- 24DC/230AC/ 2/ACT - Solid-state relay module



2982760

<https://www.phoenixcontact.com/us/products/2982760>

Environmental product compliance

EU RoHS

Fulfills EU RoHS substance requirements	Yes
Exemption	7(a), 7(c)-I

China RoHS

Environment friendly use period (EFUP)	EFUP-50
	An article-related China RoHS declaration table can be found in the download area for the respective article under "Manufacturer declaration". For all articles with EFUP-E, no China RoHS declaration table issued and required.

EU REACH SVHC

REACH candidate substance (CAS No.)	Hexahydromethylphthalic anhydride(CAS: n/a)
	Lead(CAS: 7439-92-1)
SCIP	a67ba3c7-0386-407f-b738-251f9f44bd5d

EF3.1 Climate Change

CO2e kg	0.646 kg CO2e
---------	---------------

Phoenix Contact 2026 © - all rights reserved
<https://www.phoenixcontact.com>

Phoenix Contact USA
586 Fulling Mill Road
Middletown, PA 17057, United States
(+717) 944-1300
info@phoenixcon.com