

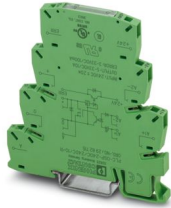
PLC-OSP- 24DC/ 24DC/ 10/R - Solid-state relay module



2982715

<https://www.phoenixcontact.com/us/products/2982715>

Please be informed that the data shown in this PDF document is generated from our online catalog. Please find the complete data in the user documentation. Our general terms of use for downloads are valid.



PLC solid-state relay with spring-cage connection, for mounting on DIN rail NS 35/7.5, input: 24 V DC, output: 3-33 V DC/10 A

Your advantages

- Resistant to vibrations and shocks
- Wear-free switching with no contact bounce
- Protective circuit in input and output
- Status indicator
- DC voltage outputs up to 24 V DC/10 A
- Option of bridging adjacent modules

Commercial data

Item number	2982715
Packing unit	1 pc
Note	Made to order (non-returnable)
Sales key	C461
Product key	DK6223
GTIN	4046356155755
Weight per piece (including packing)	36.77 g
Weight per piece (excluding packing)	33.13 g
Customs tariff number	85364190
Country of origin	DE

PLC-OSP- 24DC/ 24DC/ 10/R - Solid-state relay module



2982715

<https://www.phoenixcontact.com/us/products/2982715>

Technical data

Product properties

Product type	Solid-state relay module
Product family	PLC-INTERFACE
Application	With integrated solid-state relay
Operating mode	100% operating factor

Insulation characteristics: Standards/regulations

Insulation	Basic insulation
Overvoltage category	III
Pollution degree	2

Data management status

Date of last data management	01.04.2026
------------------------------	------------

Electrical properties

Maximum power dissipation for nominal condition	0.07 W
---	--------

Standards/regulations

Rated insulation voltage	300 V
Rated surge voltage	4 kV

Input data

Nominal input voltage U_N	24 V DC
Input voltage range in reference to U_N	0.8 ... 1.2
Input voltage range	19.2 V DC ... 28.8 V DC
Switching threshold "0" signal in reference to U_N	≤ 0.4
Switching threshold "1" signal in reference to U_N	≥ 0.8
Typical input current at U_N	3 mA
Typical response time	0.15 ms
Typical turn-off time	1 ms
Operating voltage display	Yellow LED
Protective circuit	Reverse polarity protection; Polarity protection diode Surge protection
Transmission frequency	100 Hz

Output data

Designation	DC voltage output
Contact switching type	1 N/O contact
Design of digital output	electronic
Output voltage range	5 V DC ... 33 V DC
Limiting continuous current	10 A (see derating curve)
Maximum inrush current	100 A (t = 20 ms)
Voltage drop at max. limiting continuous current	≤ 50 mV

PLC-OSP- 24DC/ 24DC/ 10/R - Solid-state relay module



2982715

<https://www.phoenixcontact.com/us/products/2982715>

Output circuit	3-conductor, ground-referenced
Protective circuit	Reverse polarity protection; Polarity protection diode
	Surge protection
Designation	Alarm output
Output voltage range	3 V DC ... 33 V DC (High active)
Limiting continuous current	100 mA
Voltage drop at max. limiting continuous current	< 1.2 V
Error indication	Red LED
Protective circuit	Reverse polarity protection; Polarity protection diode
	Surge protection; Suppressor diode

Connection data

Input side

Connection method	Spring-cage connection
Stripping length	8 mm
Conductor cross-section rigid	0.14 mm ² ... 2.5 mm ²
Conductor cross-section flexible	0.14 mm ² ... 2.5 mm ²
Conductor cross-section AWG	26 ... 14

Output side

Connection method	Spring-cage connection
Stripping length	8 mm
Conductor cross-section rigid	0.14 mm ² ... 2.5 mm ²
Conductor cross-section flexible	0.14 mm ² ... 2.5 mm ²
Conductor cross-section AWG	26 ... 14

Dimensions

Width	6.2 mm
Height	80 mm
Depth	86 mm

Material specifications

Color	green (RAL 6021)
Flammability rating according to UL 94 (Housing)	V0 (Housing)

Environmental and real-life conditions

Ambient conditions

Degree of protection	IP20
Ambient temperature (operation)	-25 °C ... 60 °C
Ambient temperature (storage/transport)	-40 °C ... 85 °C

Standards and regulations

Standards/regulations

Standards/regulations	IEC 60664
-----------------------	-----------

PLC-OSP- 24DC/ 24DC/ 10/R - Solid-state relay module



2982715

<https://www.phoenixcontact.com/us/products/2982715>

	EN 50178
--	----------

Mounting

Mounting type	DIN rail mounting
Assembly note	in rows with zero spacing
Mounting position	any

PLC-OSP- 24DC/ 24DC/ 10/R - Solid-state relay module

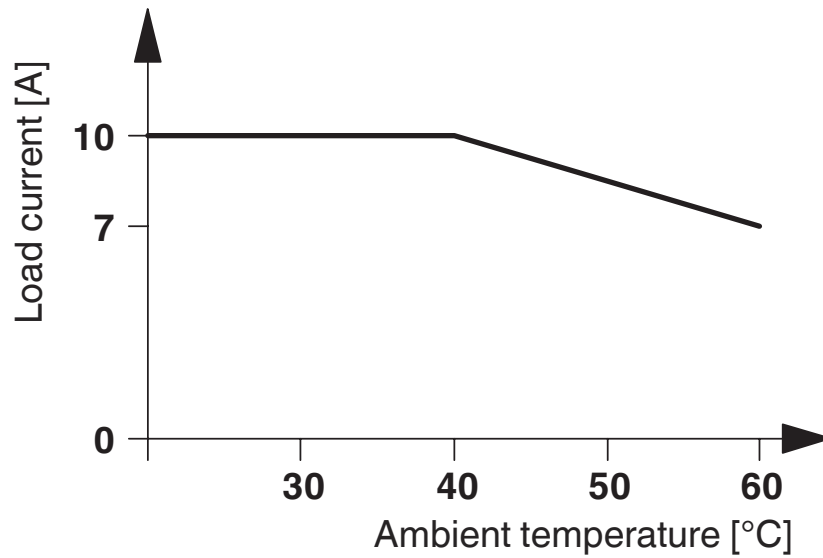


2982715

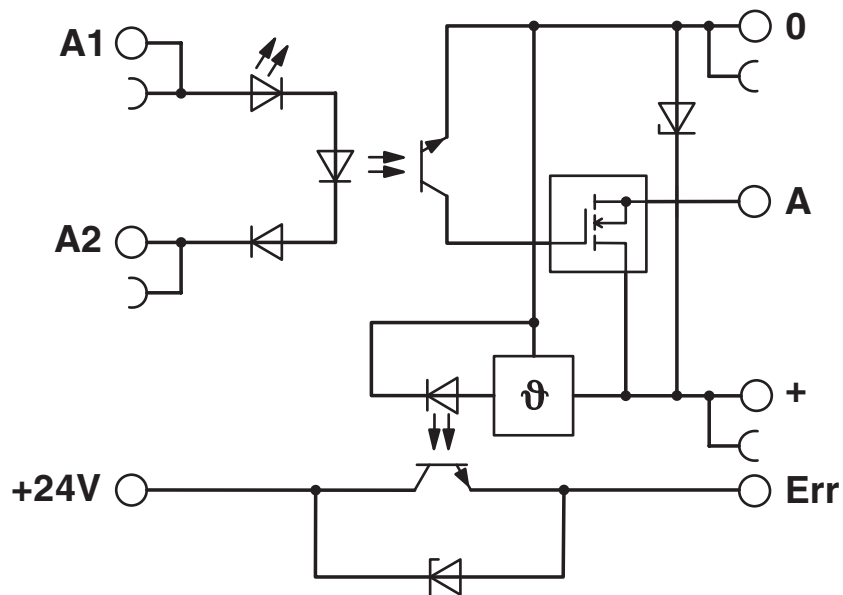
<https://www.phoenixcontact.com/us/products/2982715>

Drawings

Diagram



Circuit diagram



PLC-OSP- 24DC/ 24DC/ 10/R - Solid-state relay module



2982715

<https://www.phoenixcontact.com/us/products/2982715>

Environmental product compliance

China RoHS

Environment friendly use period (EFUP)	EFUP-50
	An article-related China RoHS declaration table can be found in the download area for the respective article under "Manufacturer declaration". For all articles with EFUP-E, no China RoHS declaration table issued and required.

EU REACH SVHC

REACH candidate substance (CAS No.)	No substance above 0.1 wt%
-------------------------------------	----------------------------

Phoenix Contact 2026 © - all rights reserved
<https://www.phoenixcontact.com>

Phoenix Contact USA
586 Fulling Mill Road
Middletown, PA 17057, United States
(+717) 944-1300
info@phoenixcon.com