

PLC-SC-EIK 1-SVN 24P/P - Solid-state relay module



2982663

<https://www.phoenixcontact.com/us/products/2982663>

Please be informed that the data shown in this PDF document is generated from our online catalog. Please find the complete data in the user documentation. Our general terms of use for downloads are valid.



PLC-INTERFACE for NAMUR applications, consisting of PLC-BSC.../21 basic terminal block with screw connection and integrated circuit, for mounting on NS 35/7,5 DIN rail, positive switching output, 24 V DC supply voltage

Your advantages

- Connection option for PLC-V8 adapter
- Stabilized supply voltage for the NAMUR proximity switch
- 24 V/50 mA digital output for directly connecting programmable logic controllers

Commercial data

Item number	2982663
Packing unit	10 pc
Minimum order quantity	10 pc
Sales key	C461
Product key	DK6223
GTIN	4046356147330
Weight per piece (including packing)	37.437 g
Weight per piece (excluding packing)	35.54 g
Customs tariff number	85364190
Country of origin	DE

Technical data

Product properties

Product type	Solid-state relay module
Product family	PLC-INTERFACE
Application	NAMUR proximity sensors
Operating mode	100% operating factor

Insulation characteristics: Air clearances and creepage distances

Insulation	Basic insulation
Overvoltage category	I
Pollution degree	2

Data management status

Date of last data management	16.04.2026
------------------------------	------------

Electrical properties

Maximum power dissipation for nominal condition	0.34 W
-------------------------------------------------	--------

Air clearances and creepage distances

Rated insulation voltage	50 V DC
Rated surge voltage	0.4 kV

Input data

Control circuit

Nominal input voltage U_N	8.2 V DC $\pm 10\%$
Protective circuit	Surge protection; Suppressor diode
Open-circuit voltage	8.2 V DC $\pm 10\%$
Switching point	≥ 2.1 mA (In conductive state)
	≤ 1.2 mA (In blocking state)
	6.3 mA ... 10 mA (in the event of a short-circuit)
	0 mA ... 0.35 mA (In the event of a wire break)
Switching hysteresis	approx. 0.2 mA
Internal resistance	approx. 1 k Ω
Cable length	< 30 m

Output data

Designation	Signal output
Contact switching type	1 N/O contact
Design of digital output	electronic
Output nominal voltage	≤ 100 mV (In conductive state)
	$U_{VN} - U_{Ri}$; in blocking state
Limiting continuous current	50 mA
Transmission frequency	approx. 350 Hz

PLC-SC-EIK 1-SVN 24P/P - Solid-state relay module



2982663

<https://www.phoenixcontact.com/us/products/2982663>

Voltage drop at max. limiting continuous current	$\leq 1.5 \text{ V (U}_R)$
Status display	LED (green)
Error indication	Red LED
Protective circuit	Surge protection; Suppressor diode
Designation	Alarm output
Output nominal voltage	$U_{VN} - U_{Res}$
Limiting continuous current	50 mA
Voltage drop at max. limiting continuous current	$\leq 2 \text{ V (U}_{Rest})$
Error indication	Red LED
Protective circuit	Surge protection; Suppressor diode

Connection data

Connection method	Screw connection
Stripping length	8 mm
Screw thread	M3
Conductor cross-section rigid	0.14 mm ² ... 2.5 mm ²
Conductor cross-section flexible	0.14 mm ² ... 2.5 mm ²
	0.2 mm ² ... 2.5 mm ² (Single ferrule)
	2x 0.5 mm ² ... 1.5 mm ² (TWIN ferrule)
Conductor cross-section AWG	26 ... 14
Tightening torque	0.45 Nm ... 0.55 Nm (Usually these terminal blocks must be supported during conductor connection (held by one hand, supported on the housing))

Dimensions

Item dimensions

Width	6.2 mm
Height	80 mm
Depth	94 mm

Material specifications

Flammability rating according to UL 94 (Housing)	V0 (Housing)
--------------------------------------------------	--------------

Environmental and real-life conditions

Ambient conditions

Degree of protection	IP20
Ambient temperature (operation)	-25 °C ... 50 °C
Ambient temperature (storage/transport)	-40 °C ... 85 °C

Approvals

CE

Certificate	CE-compliant
-------------	--------------

Corrosive gas test

PLC-SC-EIK 1-SVN 24P/P - Solid-state relay module



2982663

<https://www.phoenixcontact.com/us/products/2982663>

Identification	ISA-S71.04. G3 Harsh Group
	EN 60068-2-60

EMC data

Electromagnetic compatibility	Conformance with EMC directive
-------------------------------	--------------------------------

Standards and regulations

Air clearances and creepage distances

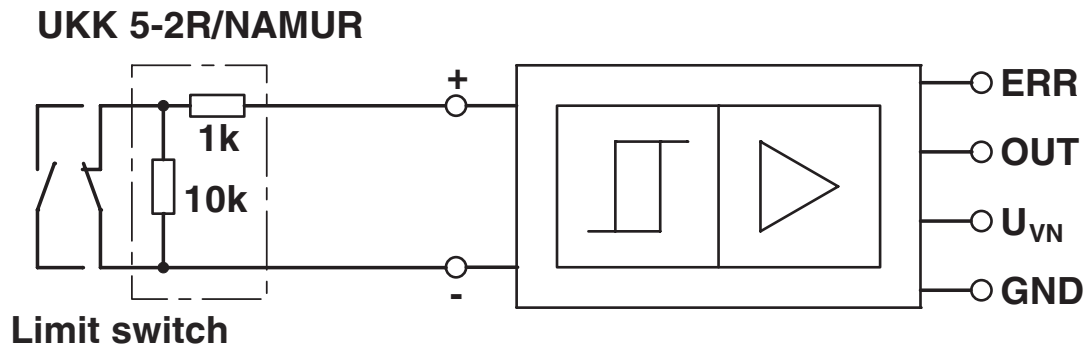
Standards/regulations	IEC 60947-5-1
-----------------------	---------------

Mounting

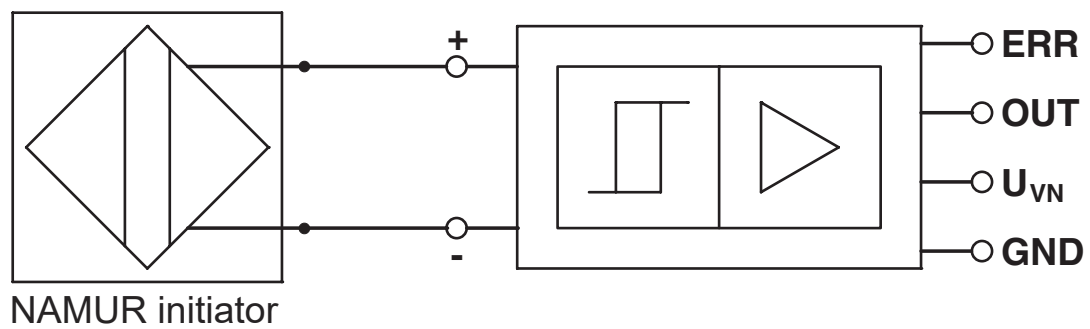
Mounting type	DIN rail mounting
Assembly note	in rows with zero spacing
Mounting position	any

Drawings

Application drawing



Application drawing



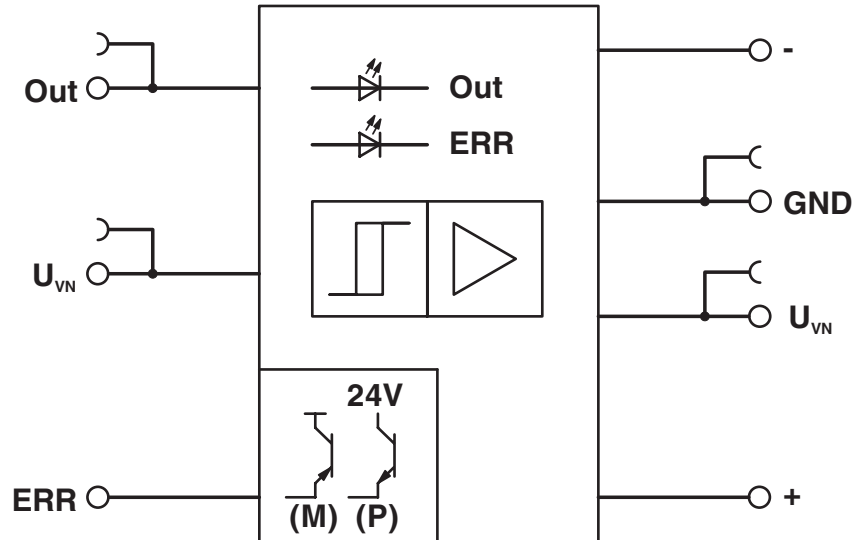
PLC-SC-EIK 1-SVN 24P/P - Solid-state relay module



2982663

<https://www.phoenixcontact.com/us/products/2982663>

Circuit diagram



PLC-SC-EIK 1-SVN 24P/P - Solid-state relay module



2982663

<https://www.phoenixcontact.com/us/products/2982663>

Approvals

To download certificates, visit the product detail page: <https://www.phoenixcontact.com/us/products/2982663>



cULus Listed

Approval ID: E140324



cULus Listed

Approval ID: E140324



cULus Listed

Approval ID: E140324

PLC-SC-EIK 1-SVN 24P/P - Solid-state relay module



2982663

<https://www.phoenixcontact.com/us/products/2982663>

Classifications

ECLASS

ECLASS-13.0	27371604
ECLASS-15.0	27371604

ETIM

ETIM 10.0	EC001504
-----------	----------

UNSPSC

UNSPSC 21.0	39122300
-------------	----------

2982663

<https://www.phoenixcontact.com/us/products/2982663>

Environmental product compliance

EU RoHS

Fulfills EU RoHS substance requirements	Yes
Exemption	7(a), 7(c)-I

China RoHS

Environment friendly use period (EFUP)	EFUP-50
	An article-related China RoHS declaration table can be found in the download area for the respective article under "Manufacturer declaration". For all articles with EFUP-E, no China RoHS declaration table issued and required.

EU REACH SVHC

REACH candidate substance (CAS No.)	Lead(CAS: 7439-92-1)
SCIP	2e039036-5f81-4caa-990c-73a32f8fce0e

Phoenix Contact 2026 © - all rights reserved

<https://www.phoenixcontact.com>

Phoenix Contact USA
586 Fulling Mill Road
Middletown, PA 17057, United States
(+717) 944-1300
info@phoenixcon.com