

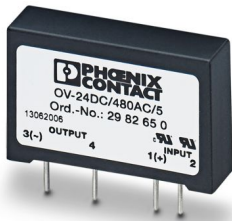
OV-24DC/480AC/5 - Semi-conductor relay



2982650

<https://www.phoenixcontact.com/us/products/2982650>

Please be informed that the data shown in this PDF document is generated from our online catalog. Please find the complete data in the user documentation. Our general terms of use for downloads are valid.



Solid-state relay, for signal amplification and isolation of the control and load circuits, can be plugged in the solderable plug-in bases SIM-AMS or with PCB connection for mounting directly onto the PCB, input: 4-32 V DC, output: 12-530 V AC/ 5 A

Your advantages

- Compact dimensions
- No wear, even at high switching frequencies
- No electromagnetic interference
- High test voltage of up to 4 kV between control and load circuits
- Electrically insulated housing
- No contact bounce – no movable parts
- Switching power of up to 350 V DC/1 A, 60 V DC/4 A or 480 V AC/5 A

Commercial data

Item number	2982650
Packing unit	10 pc
Minimum order quantity	1 pc
Sales key	C471
Product key	DK69L2
GTIN	4046356131667
Weight per piece (including packing)	25.34 g
Weight per piece (excluding packing)	24.7 g
Customs tariff number	85362010
Country of origin	CN

OV-24DC/480AC/5 - Semi-conductor relay



2982650

<https://www.phoenixcontact.com/us/products/2982650>

Technical data

Product properties

Product type	Single solid-state relay
Operating mode	100% operating factor

Insulation characteristics

Insulation	Basic insulation
------------	------------------

Data management status

Date of last data management	01.04.2026
------------------------------	------------

Electrical properties

Test voltage (Input/output)	4 kV (50 Hz, 1 min., input/output)
-----------------------------	------------------------------------

Input data

Nominal input voltage U_N	24 V DC
Input voltage range	4 V DC ... 32 V DC
Switching threshold "0" signal, voltage	< 1.2 V DC
Switching threshold "1" signal voltage	> 3.5 V DC
Typical input current at U_N	10 mA
Typical response time	ms (maximum ½ periods)
Typical turn-off time	ms (maximum ½ periods)
Transmission frequency	25 Hz

Output data

Design of digital output	electronic
Output voltage range	12 V AC ... 530 V AC (45/65 Hz)
Limiting continuous current	5 A (see derating curve)
Min. load current	20 mA
Leakage current	< 1 mA
Surge current	80 A ($t_p = 20$ ms)
Phase angle $\cos \phi$ min	0.5
Max. load value	50 A ² s
Peak offstate voltage	1000 V (Periodic peak reverse voltage)
Voltage drop at max. limiting continuous current	1.2 V
Output circuit	2-conductor

Dimensions

Item dimensions

Width	10.5 mm
Height	43 mm
Depth	25.4 mm

OV-24DC/480AC/5 - Semi-conductor relay



2982650

<https://www.phoenixcontact.com/us/products/2982650>

Material specifications

Color	black (RAL 9005)
-------	------------------

Environmental and real-life conditions

Ambient conditions

Ambient temperature (operation)	-20 °C ... 70 °C
Ambient temperature (storage/transport)	-20 °C ... 70 °C

Approvals

UKCA

Certificate	UKCA-compliant
-------------	----------------

Standards and regulations

Standards/regulations	EN 61000-4-2
	EN 61000-4-3
	EN 61000-4-4
	EN 61000-4-5
	EN 61000-4-6
	EN 55011

Mounting

Assembly note	can be aligned with spacing > 20 mm
Mounting position	any

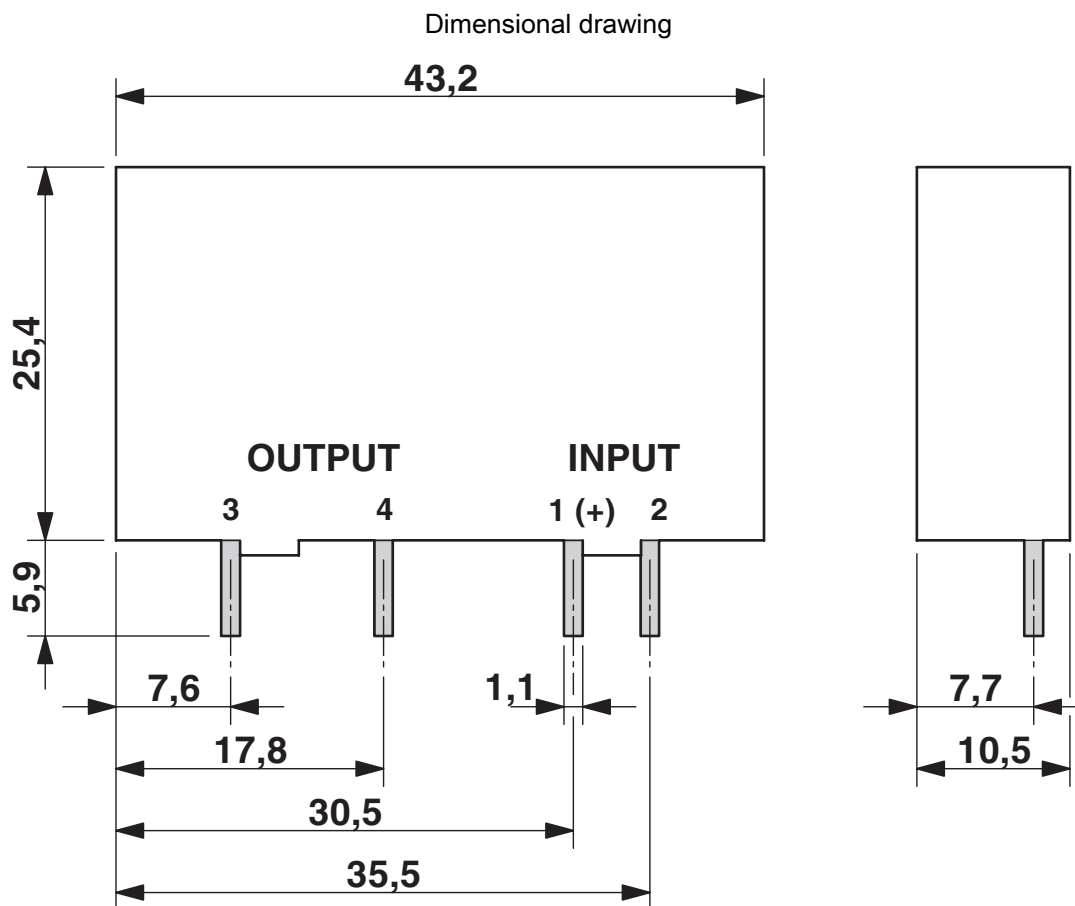
OV-24DC/480AC/5 - Semi-conductor relay



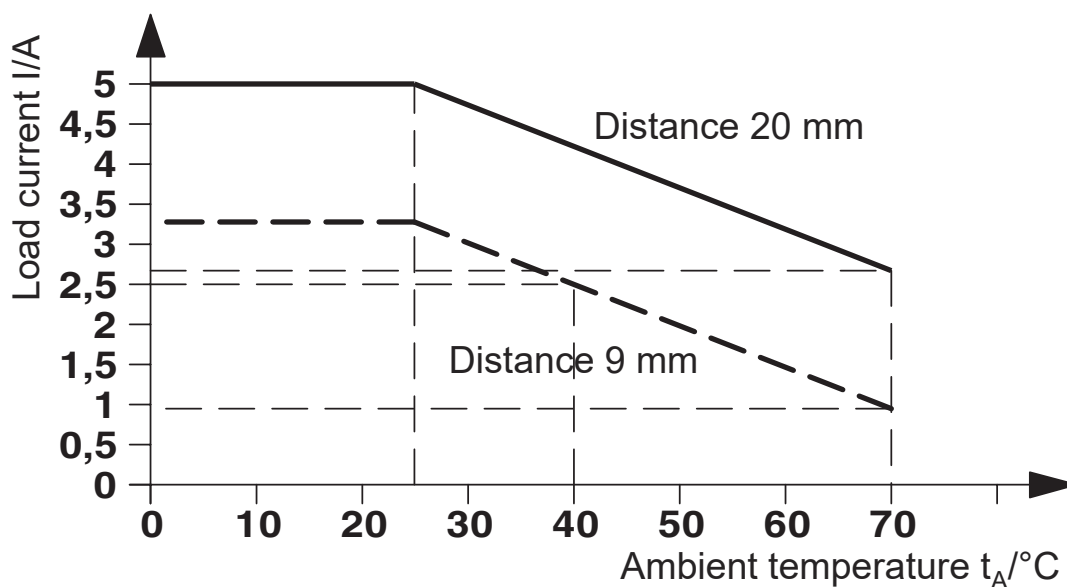
2982650

<https://www.phoenixcontact.com/us/products/2982650>

Drawings



Diagram

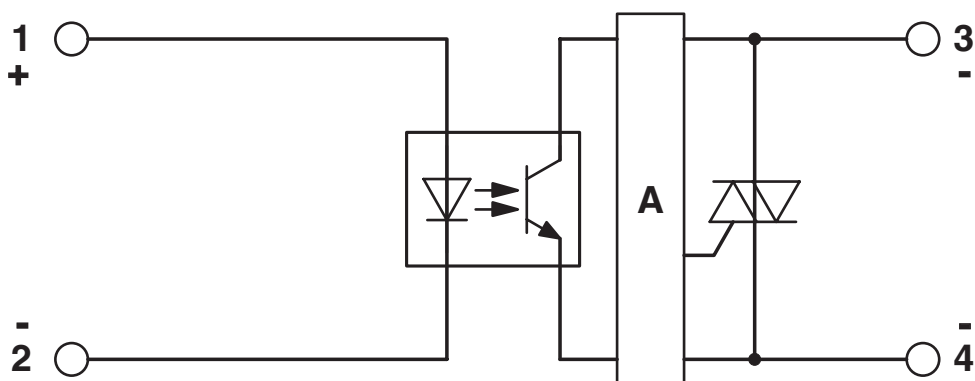


OV-24DC/480AC/5 - Semi-conductor relay

2982650

<https://www.phoenixcontact.com/us/products/2982650>

Circuit diagram



OV-24DC/480AC/5 - Semi-conductor relay



2982650

<https://www.phoenixcontact.com/us/products/2982650>

Approvals

To download certificates, visit the product detail page: <https://www.phoenixcontact.com/us/products/2982650>



cUL Recognized
Approval ID: FILE E 195083



UL Recognized
Approval ID: FILE E 195083



EAC
Approval ID: RU*C-DE.*08.B.00010

OV-24DC/480AC/5 - Semi-conductor relay



2982650

<https://www.phoenixcontact.com/us/products/2982650>

Classifications

ECLASS

ECLASS-13.0	27371604
ECLASS-15.0	27371604

ETIM

ETIM 10.0	EC001504
-----------	----------

UNSPSC

UNSPSC 21.0	39122300
-------------	----------

OV-24DC/480AC/5 - Semi-conductor relay



2982650

<https://www.phoenixcontact.com/us/products/2982650>

Environmental product compliance

EU RoHS

Fulfills EU RoHS substance requirements	Yes, No exemptions
---	--------------------

China RoHS

Environment friendly use period (EFUP)	EFUP-50
	An article-related China RoHS declaration table can be found in the download area for the respective article under "Manufacturer declaration". For all articles with EFUP-E, no China RoHS declaration table issued and required.

EU REACH SVHC

REACH candidate substance (CAS No.)	No substance above 0.1 wt%
-------------------------------------	----------------------------

EF3.1 Climate Change

CO2e kg	3.581 kg CO2e
---------	---------------

Phoenix Contact 2026 © - all rights reserved
<https://www.phoenixcontact.com>

Phoenix Contact USA
586 Fulling Mill Road
Middletown, PA 17057, United States
(+717) 944-1300
info@phoenixcon.com