

PLC-RSP- 24UC/ 1/S/H - Switch



2982249

<https://www.phoenixcontact.com/us/products/2982249>

Please be informed that the data shown in this PDF document is generated from our online catalog. Please find the complete data in the user documentation. Our general terms of use for downloads are valid.



PLC-INTERFACE with switch (operation by hand) for the "Manual, Zero, and Automatic" functions, with spring-cage connection and integrated power contact relay, for mounting on DIN rail NS 35/7,5, 1 N/O contact, input voltage 24 V AC/DC

Your advantages

- Just 6.2 mm wide
- Safe isolation between coil and contact side
- Floating confirmation contact
- Max. switching current of 6 A
- Screw- and Push-in connection

Commercial data

Item number	2982249
Packing unit	1 pc
Note	Made to order (non-returnable)
Sales key	C461
Product key	DK622H
GTIN	4046356093965
Weight per piece (including packing)	34.2 g
Weight per piece (excluding packing)	32.36 g
Customs tariff number	85364190
Country of origin	DE

PLC-RSP- 24UC/ 1/S/H - Switch



2982249

<https://www.phoenixcontact.com/us/products/2982249>

Technical data

Notes

Utilization restriction

EMC note	EMC: class A product, see manufacturer's declaration in the download area
----------	---

Product properties

Product type	Relay Module
Product family	PLC-INTERFACE
Application	Palm switch
Operating mode	100% operating factor

Insulation characteristics: Air clearances and creepage distances between the power circuits

Overvoltage category	III
Pollution degree	2

Data management status

Date of last data management	12.09.2025
------------------------------	------------

Electrical properties

Maximum power dissipation for nominal condition	0.26 W
---	--------

Air clearances and creepage distances between the power circuits

Rated insulation voltage	250 V AC
Rated surge voltage	6 kV

Input data

Coil side

Nominal input voltage U_N	24 V AC/DC
Input voltage range	19.4 V AC/DC ... 33.6 V AC/DC
Input voltage range in reference to U_N	see diagram
Typical input current at U_N	11 mA
Typical response time	6 ms
Typical release time	15 ms
Protective circuit	Bridge rectifier; Bridge rectifier
Operating voltage display	Yellow LED

Output data

Switching

Contact switching type	1 N/O contact with switch
Type of switch contact	Single contact
Contact material	AgSnO
Maximum switching voltage	250 V AC/DC

PLC-RSP- 24UC/ 1/S/H - Switch



2982249

<https://www.phoenixcontact.com/us/products/2982249>

Minimum switching voltage	5 V (at 100 mA)
Limiting continuous current	6 A
Maximum inrush current	on request
Min. switching current	10 mA (at 12 V)
Interrupting rating (ohmic load) max.	140 W (at 24 V DC)
	20 W (at 48 V DC)
	18 W (at 60 V DC)
	23 W (at 110 V DC)
	40 W (at 220 V DC)
	1500 VA (for 250 V AC)

Connection data

Coil side

Connection method	Spring-cage connection
Stripping length	8 mm
Conductor cross-section rigid	0.14 mm ² ... 2.5 mm ²
Conductor cross-section flexible	0.14 mm ² ... 2.5 mm ²
Conductor cross-section AWG	26 ... 14

Contact side

Connection method	Spring-cage connection
Stripping length	8 mm
Conductor cross-section rigid	0.14 mm ² ... 2.5 mm ²
Conductor cross-section flexible	0.14 mm ² ... 2.5 mm ²
Conductor cross-section AWG	26 ... 14

Dimensions

Width	6.2 mm
Height	80 mm
Depth	90 mm

Material specifications

Color	green (RAL 6021)
Flammability rating according to UL 94 (Housing)	V0 (Housing)

Environmental and real-life conditions

Ambient conditions

Degree of protection (Relay base)	IP20 (Relay base)
Ambient temperature (operation)	-20 °C ... 60 °C
Ambient temperature (storage/transport)	-20 °C ... 85 °C

Standards and regulations

Air clearances and creepage distances between the power circuits

Standards/regulations	IEC 60664
-----------------------	-----------

PLC-RSP- 24UC/ 1/S/H - Switch



2982249

<https://www.phoenixcontact.com/us/products/2982249>

	IEC 60947-5-1
--	---------------

Mounting

Assembly note	in rows with zero spacing
Mounting position	any

PLC-RSP- 24UC/ 1/S/H - Switch

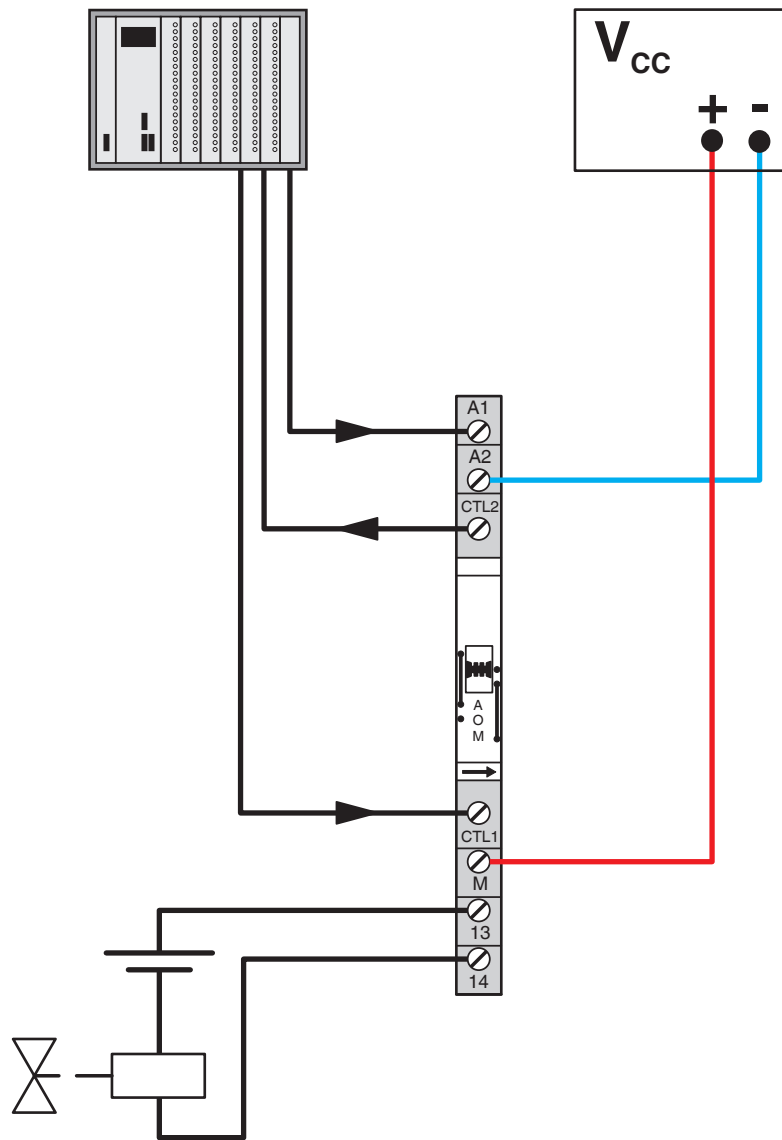
2982249

<https://www.phoenixcontact.com/us/products/2982249>

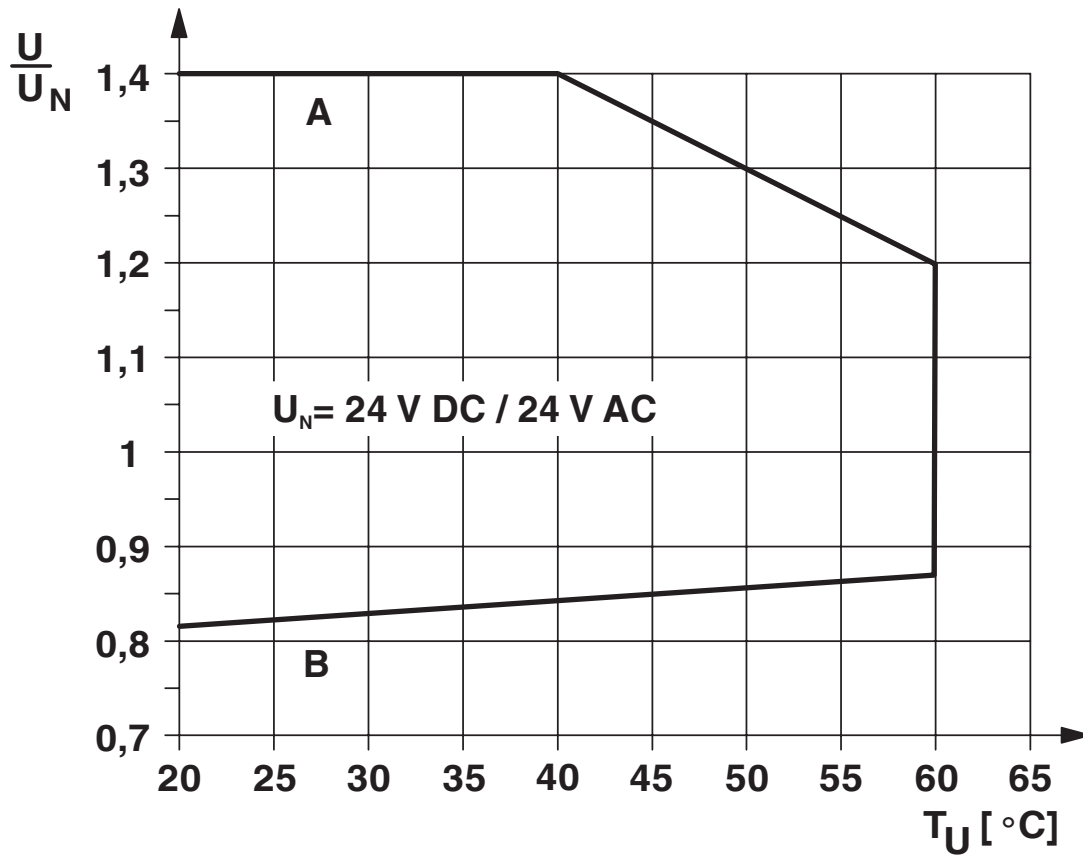


Drawings

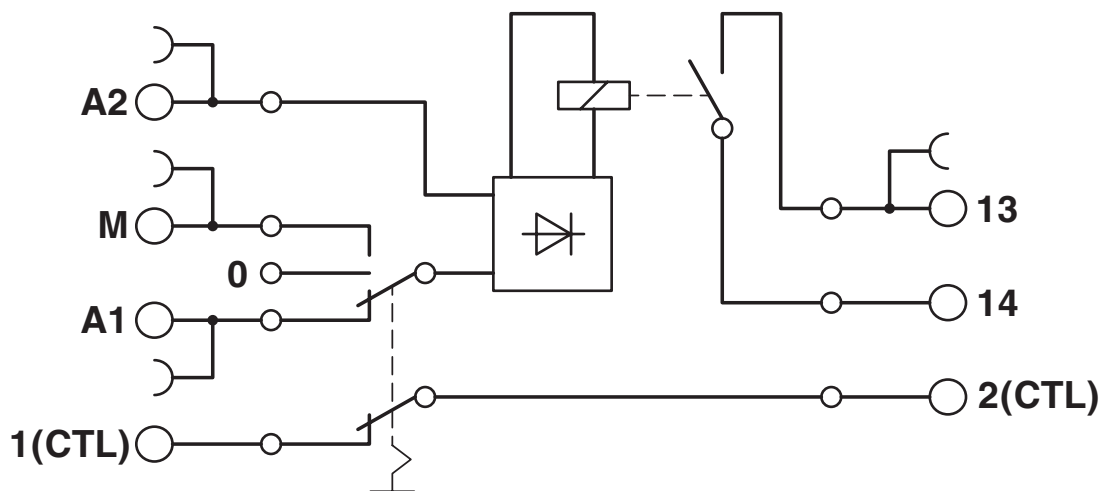
Application drawing



Diagram



Circuit diagram



PLC-RSP- 24UC/ 1/S/H - Switch



2982249

<https://www.phoenixcontact.com/us/products/2982249>

Environmental product compliance

China RoHS

Environment friendly use period (EFUP)	EFUP-50
	An article-related China RoHS declaration table can be found in the download area for the respective article under "Manufacturer declaration". For all articles with EFUP-E, no China RoHS declaration table issued and required.

EU REACH SVHC

REACH candidate substance (CAS No.)	No substance above 0.1 wt%
-------------------------------------	----------------------------

Phoenix Contact 2026 © - all rights reserved
<https://www.phoenixcontact.com>

Phoenix Contact USA
586 Fulling Mill Road
Middletown, PA 17057, United States
(+717) 944-1300
info@phoenixcon.com