

# OPT-60DC/230AC/ 2 - Miniature solid-state relay



2982184

<https://www.phoenixcontact.com/us/products/2982184>

Please be informed that the data shown in this PDF document is generated from our online catalog. Please find the complete data in the user documentation. Our general terms of use for downloads are valid.



Plug-in miniature solid-state relay, power solid-state relay, 1 N/O contact, input: 60 V DC, output: 24 - 253 V AC/2 A

The figure shows the 24 V design

## Your advantages

- Vibration and shock resistant
- RT III-proof (wash-proof)
- Wear-free and durable
- Switching power of up to 24 V DC/5 A
- Zero voltage switch at AC output
- Can be soldered on PCB

## Commercial data

Item number	2982184
Packing unit	1 pc
Note	Made to order (non-returnable)
Sales key	C460
Product key	DK61F3
GTIN	4017918996987
Weight per piece (including packing)	10.33 g
Weight per piece (excluding packing)	10.33 g
Customs tariff number	85364190
Country of origin	HU

# OPT-60DC/230AC/ 2 - Miniature solid-state relay



2982184

<https://www.phoenixcontact.com/us/products/2982184>

## Technical data

### Product properties

Product type	Single solid-state relay
Operating mode	100% operating factor

### Insulation characteristics: Standards/regulations

Insulation	Basic insulation
Overvoltage category	III
Pollution degree	2

### Data management status

Date of last data management	01.04.2026
------------------------------	------------

### Electrical properties

Maximum power dissipation for nominal condition	0.16 W
Test voltage (Input/output)	2.5 kV (50 Hz, 1 min., input/output)

### Standards/regulations

Rated insulation voltage	250 V AC
--------------------------	----------

### Input data

Nominal input voltage $U_N$	60 V DC
Input voltage range in reference to $U_N$	0.9 ... 1.1
Input voltage range	54 V DC ... 66 V DC
Switching threshold "0" signal, voltage	< 20 V DC
Switching threshold "1" signal voltage	> 40 V DC
Typical input current at $U_N$	2.6 mA
Typical response time	10 ms
Typical turn-off time	10 ms
Protective circuit	Reverse polarity protection; Polarity protection diode
Transmission frequency	10 Hz

### Output data

Contact switching type	1 N/O contact
Design of digital output	electronic
Output nominal voltage	230 V AC
Output voltage range	24 V AC ... 253 V AC
Limiting continuous current	2 A (see derating curve)
Maximum inrush current	30 A (10 ms)
Min. load current	25 mA
Leakage current	typ. 1 mA
Surge current	30 A (10 ms)
Max. load value	4 A <sup>2</sup> s (tp = 10 ms, at 25 °C)
Voltage drop at max. limiting continuous current	≤ 1 V

# OPT-60DC/230AC/ 2 - Miniature solid-state relay



2982184

<https://www.phoenixcontact.com/us/products/2982184>

Output circuit	2-conductor floating, zero voltage switch
Protective circuit	Surge protection; RC element

## Dimensions

Dimensional drawing	
Width	12.7 mm
Height	29 mm
Depth	15.7 mm

## Material specifications

Color	black (RAL 9005)
Flammability rating according to UL 94 (Housing)	V0 (Housing)

## Environmental and real-life conditions

### Ambient conditions

Degree of protection	RT III
Ambient temperature (operation)	-25 °C ... 60 °C
Ambient temperature (storage/transport)	-25 °C ... 70 °C

## Standards and regulations

### Standards/regulations

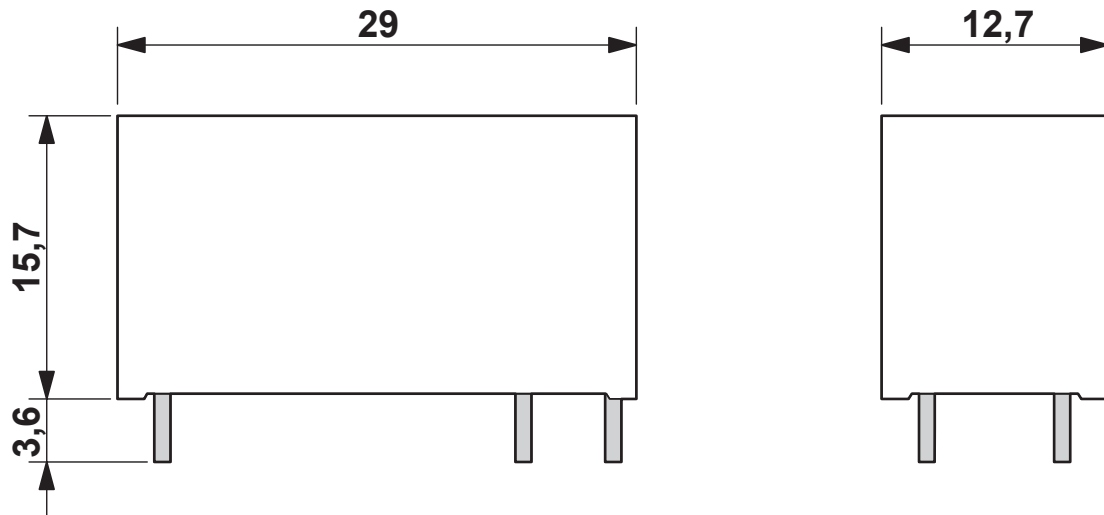
Standards/regulations	IEC 60664
	EN 50178

## Mounting

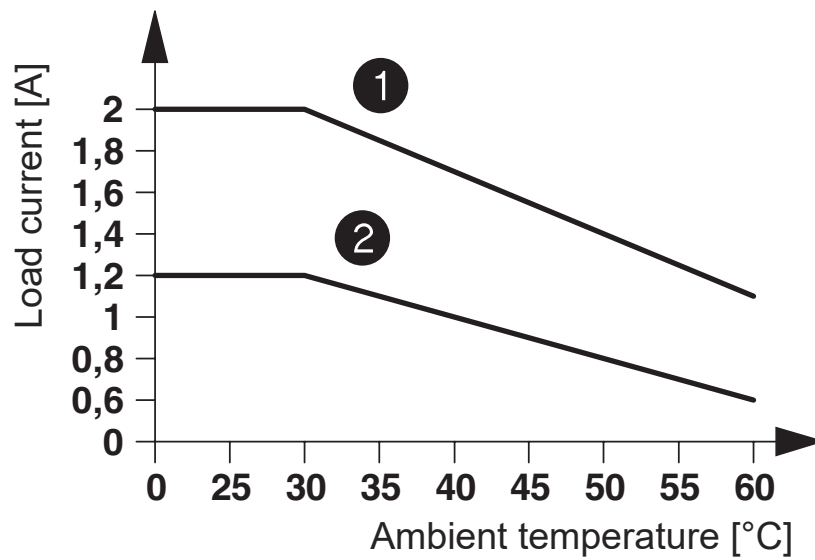
Assembly note	See derating curve
Mounting position	any

## Drawings

Dimensional drawing



Diagram



- ① In rows with 10 mm spacing
- ② In rows with zero spacing

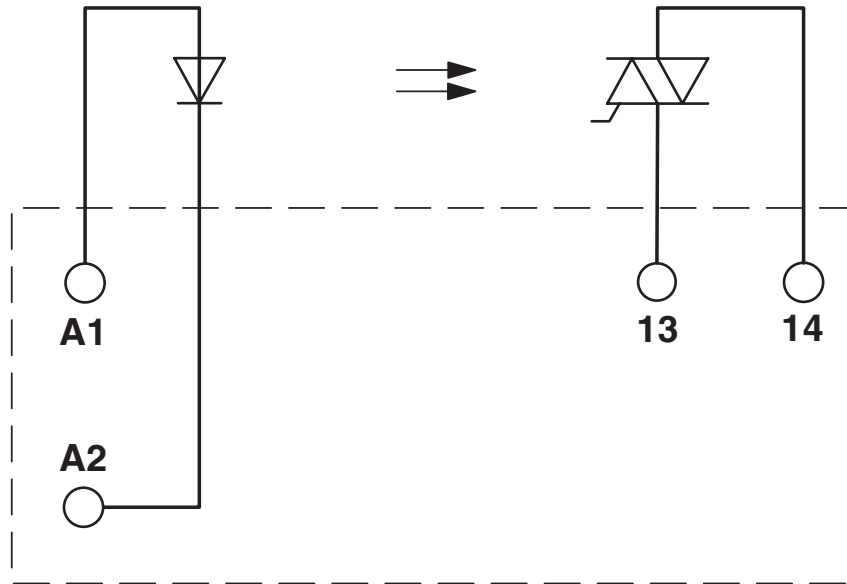
# OPT-60DC/230AC/ 2 - Miniature solid-state relay



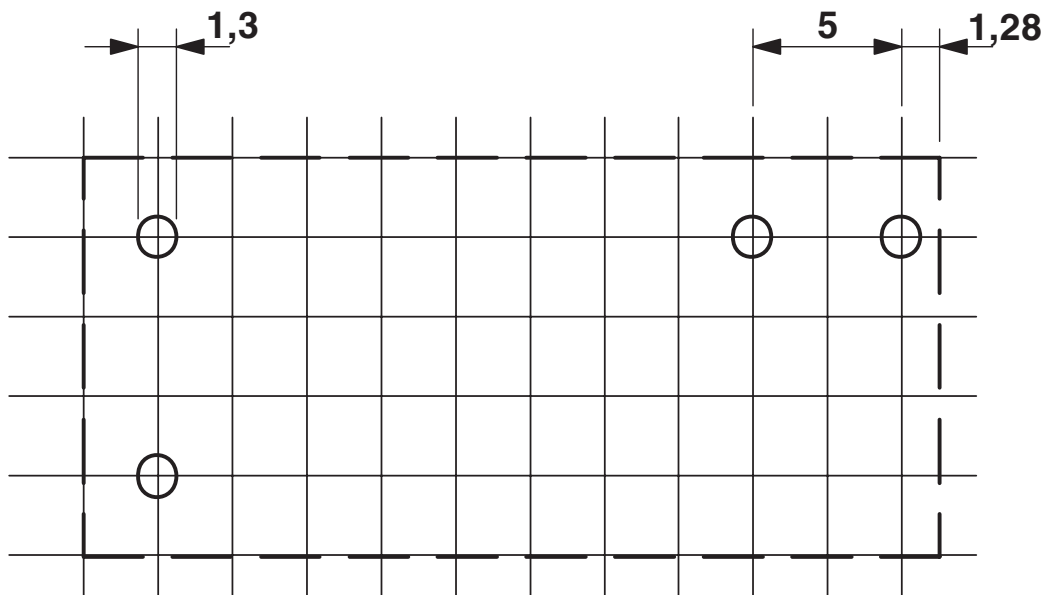
2982184

<https://www.phoenixcontact.com/us/products/2982184>

Circuit diagram



Drilling plan/solder pad geometry



# OPT-60DC/230AC/ 2 - Miniature solid-state relay



2982184

<https://www.phoenixcontact.com/us/products/2982184>

## Environmental product compliance

### China RoHS

Environment friendly use period (EFUP)	EFUP-50
	An article-related China RoHS declaration table can be found in the download area for the respective article under "Manufacturer declaration". For all articles with EFUP-E, no China RoHS declaration table issued and required.

### EU REACH SVHC

REACH candidate substance (CAS No.)	No substance above 0.1 wt%
-------------------------------------	----------------------------

Phoenix Contact 2026 © - all rights reserved  
<https://www.phoenixcontact.com>

Phoenix Contact USA  
586 Fulling Mill Road  
Middletown, PA 17057, United States  
(+717) 944-1300  
[info@phoenixcon.com](mailto:info@phoenixcon.com)