

# OPT-60DC/ 24DC/ 5 - Miniature solid-state relay



2982126

<https://www.phoenixcontact.com/us/products/2982126>

Please be informed that the data shown in this PDF document is generated from our online catalog. Please find the complete data in the user documentation. Our general terms of use for downloads are valid.



Plug-in miniature solid-state relay, power solid-state relay, 1 N/O contact, input: 60 V DC, output: 3 - 33 V DC/5 A

## Your advantages

- Vibration and shock resistant
- RT III-proof (wash-proof)
- Wear-free and durable
- Zero voltage switch at AC output
- Switching power of up to 24 V DC/5 A
- Can be soldered on PCB

## Commercial data

Item number	2982126
Packing unit	10 pc
Minimum order quantity	10 pc
Note	Made to order (non-returnable)
Sales key	C460
Product key	DK69L1
GTIN	4017918989767
Weight per piece (including packing)	12.12 g
Weight per piece (excluding packing)	10.73 g
Customs tariff number	85364190
Country of origin	HU

# OPT-60DC/ 24DC/ 5 - Miniature solid-state relay



2982126

<https://www.phoenixcontact.com/us/products/2982126>

## Technical data

### Product properties

Product type	Single solid-state relay
Operating mode	100% operating factor

### Insulation characteristics: Standards/regulations

Insulation	Basic insulation
Overvoltage category	III
Pollution degree	2

### Data management status

Date of last data management	01.04.2026
------------------------------	------------

### Electrical properties

Maximum power dissipation for nominal condition	0.18 W
Test voltage (Input/output)	2.5 kV (50 Hz, 1 min., input/output)

### Standards/regulations

Rated insulation voltage	100 V DC
--------------------------	----------

### Input data

Nominal input voltage $U_N$	60 V DC
Input voltage range in reference to $U_N$	0.9 ... 1.1
Input voltage range	54 V DC ... 66 V DC
Switching threshold "0" signal, voltage	$\leq 20$ V DC
Switching threshold "1" signal voltage	$\geq 35$ V DC
Typical input current at $U_N$	3 mA
Typical response time	25 $\mu$ s
Typical turn-off time	400 $\mu$ s
Protective circuit	Reverse polarity protection; Polarity protection diode
Transmission frequency	300 Hz

### Output data

Contact switching type	1 N/O contact
Design of digital output	electronic
Output nominal voltage	24 V DC
Output voltage range	3 V DC ... 33 V DC
Limiting continuous current	5 A (see derating curve)
Maximum inrush current	15 A (10 ms)
Surge voltage protection	$> 33$ V DC
Voltage drop at max. limiting continuous current	$\leq 200$ mV
Output circuit	2-conductor, floating
Protective circuit	Reverse polarity protection; Polarity protection diode Surge protection

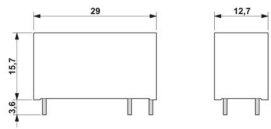
# OPT-60DC/ 24DC/ 5 - Miniature solid-state relay



2982126

<https://www.phoenixcontact.com/us/products/2982126>

## Dimensions

Dimensional drawing	
Width	12.7 mm
Height	29 mm
Depth	15.7 mm

## Material specifications

Color	black (RAL 9005)
Flammability rating according to UL 94 (Housing)	V0 (Housing)

## Environmental and real-life conditions

### Ambient conditions

Degree of protection	RT III
Ambient temperature (operation)	-25 °C ... 60 °C
Ambient temperature (storage/transport)	-25 °C ... 70 °C

## Approvals

### Corrosive gas test

Identification	ISA-S71.04. G3 Harsh Group
	EN 60068-2-60

## Standards and regulations

### Standards/regulations

Standards/regulations	IEC 60664
	EN 50178

## Mounting

Assembly note	in rows with zero spacing
Mounting position	any

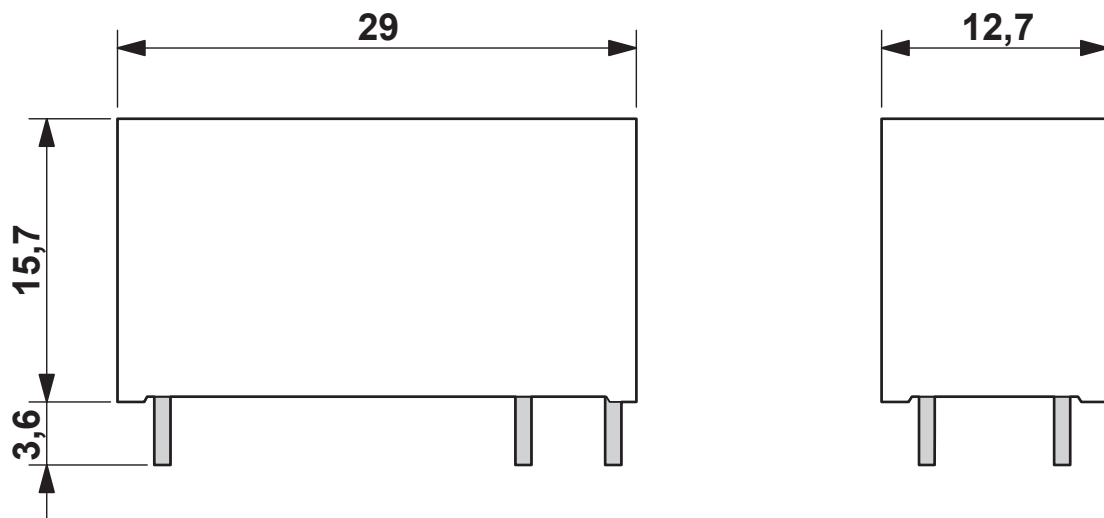
# OPT-60DC/ 24DC/ 5 - Miniature solid-state relay

2982126

<https://www.phoenixcontact.com/us/products/2982126>

## Drawings

Dimensional drawing



Diagram



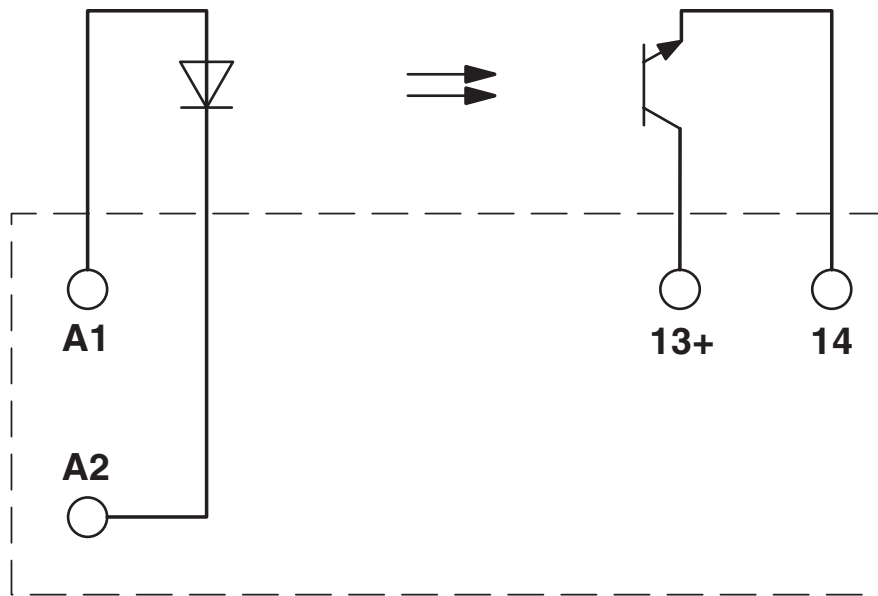
# OPT-60DC/ 24DC/ 5 - Miniature solid-state relay



2982126

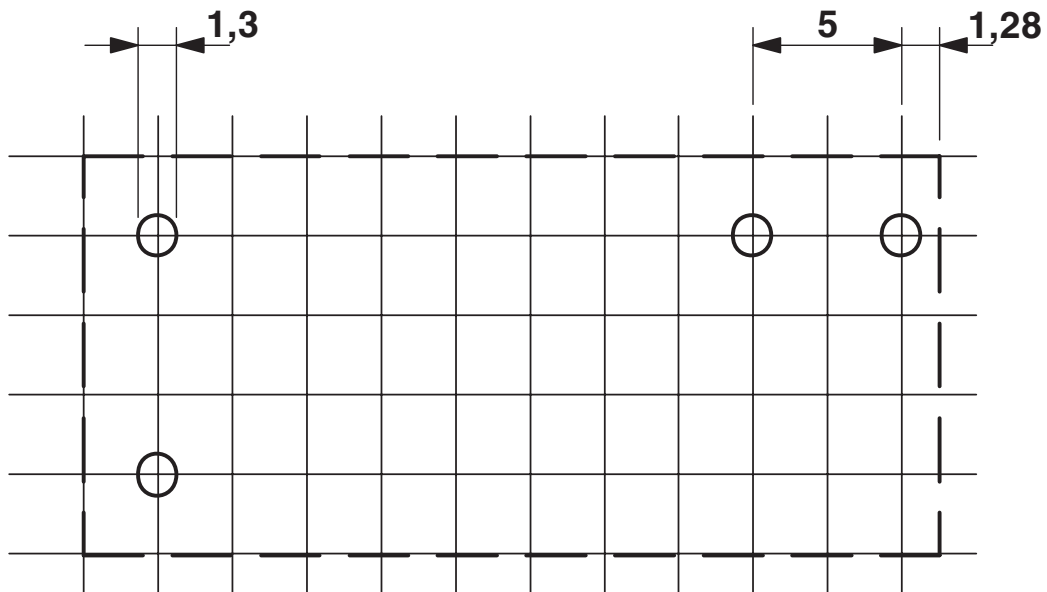
<https://www.phoenixcontact.com/us/products/2982126>

Circuit diagram



Pin assignments: View of the connections

Drilling plan/solder pad geometry



Basic pitch 2.5 mm

# OPT-60DC/ 24DC/ 5 - Miniature solid-state relay



2982126

<https://www.phoenixcontact.com/us/products/2982126>

## Classifications

### ECLASS

ECLASS-13.0

27371604

### ETIM

ETIM 9.0

EC001504

### UNSPSC

UNSPSC 21.0

39122300

# OPT-60DC/ 24DC/ 5 - Miniature solid-state relay



2982126

<https://www.phoenixcontact.com/us/products/2982126>

## Environmental product compliance

### EU RoHS

Fulfills EU RoHS substance requirements	Yes, No exemptions
---	--------------------

### China RoHS

Environment friendly use period (EFUP)	EFUP-E
	No hazardous substances above the limits

### EU REACH SVHC

REACH candidate substance (CAS No.)	No substance above 0.1 wt%
-------------------------------------	----------------------------

Phoenix Contact 2026 © - all rights reserved  
<https://www.phoenixcontact.com>

Phoenix Contact USA  
586 Fulling Mill Road  
Middletown, PA 17057, United States  
(+717) 944-1300  
[info@phoenixcon.com](mailto:info@phoenixcon.com)