

# PSR-SACB-4/4-L- 5,0PUR-SD - Distributor box



2981871

<https://www.phoenixcontact.com/us/products/2981871>

Please be informed that the data shown in this PDF document is generated from our online catalog. Please find the complete data in the user documentation. Our general terms of use for downloads are valid.



The sensor box PSR-SACB for safety limit switches safely interconnects up to 4 connected limit switches, each with 1 N/C contact and 1 N/O contact, to a safety relay combination, e. g. PSR-SDC4, cable length: 5 m

The figure shows a version of the product

## Your advantages

- Safety in the field, thanks to robust housing and high degree of protection
- Flexible, distributed bundling of signals in one master cable
- Convenient: increased machine availability thanks to quick and easy diagnostics

## Commercial data

Item number	2981871
Packing unit	1 pc
Sales key	DN01
Product key	DNA222
GTIN	4046356167970
Weight per piece (including packing)	568.5 g
Weight per piece (excluding packing)	547 g
Customs tariff number	85444290
Country of origin	DE

# PSR-SACB-4/4-L- 5,0PUR-SD - Distributor box



2981871

<https://www.phoenixcontact.com/us/products/2981871>

## Technical data

### Product properties

Product type	Distributor box
Area of application	Functional safety
Number of positions	4
Number of slots	4
Coding	A - standard

Insulation characteristics: Air clearances and creepage distances

Overvoltage category	III
Degree of pollution	2

### Electrical properties

Max. permissible current	100 mA (per signal output)
Max. permissible total current	100 mA (alarm outputs)
Nominal operating mode	100% operating factor

Air clearances and creepage distances

Rated insulation voltage	50 V DC
Rated surge voltage	0.8 kV

### Input data

Nominal input voltage $U_N$	24 V DC (from PSR)
Input voltage range in reference to $U_N$	0.8 ... 1.1
Nominal input voltage $U_N$	24 V DC (from PSR)

### Connection data

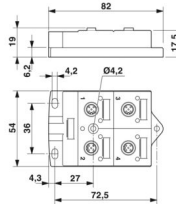
Conductor connection

Sensor/actuator connection system	M12 socket
-----------------------------------	------------

### Signaling

Status display	LED (yellow)
Status display present	yes

### Dimensions

Dimensional drawing	
Width	54 mm

Height	82 mm
Depth	19 mm

## Material specifications

Color	yellow
Flammability rating according to UL 94	V0
Insulating material	PA 6.6
Housing material	PA
Material of threaded sleeve	PA

## Cable/line

Cable length	5 m
Cable type	Master cable suitable for flexible cable conduit
Connection method	Fixed connection
Outside diameter	8.2 mm
Conductor cross-section signal conductor	6x 0.34 mm <sup>2</sup>
Metric conductor cross-section (Signal)	0.3 mm <sup>2</sup> ... 0.5 mm <sup>2</sup>
Cross section AWG (Signal)	22 ... 24
AWG signal line	22
Metric conductor cross-section (Power)	0.75 mm <sup>2</sup> ... 1 mm <sup>2</sup>
Cross section AWG (Power)	24 ... 17
AWG power supply	18
Ambient temperature (operation)	-30 °C ... 70 °C (for fixed installation) -5 °C ... 70 °C (for flexible installation)

## Environmental and real-life conditions

### Ambient conditions

Degree of protection	IP65/IP67
Ambient temperature (operation)	-20 °C ... 70 °C
Ambient temperature (storage/transport)	-20 °C ... 70 °C

## Standards and regulations

### Air clearances and creepage distances

Standards/regulations	DIN EN 50178
-----------------------	--------------

## Mounting

Assembly note	in rows with zero spacing
Mounting position	any

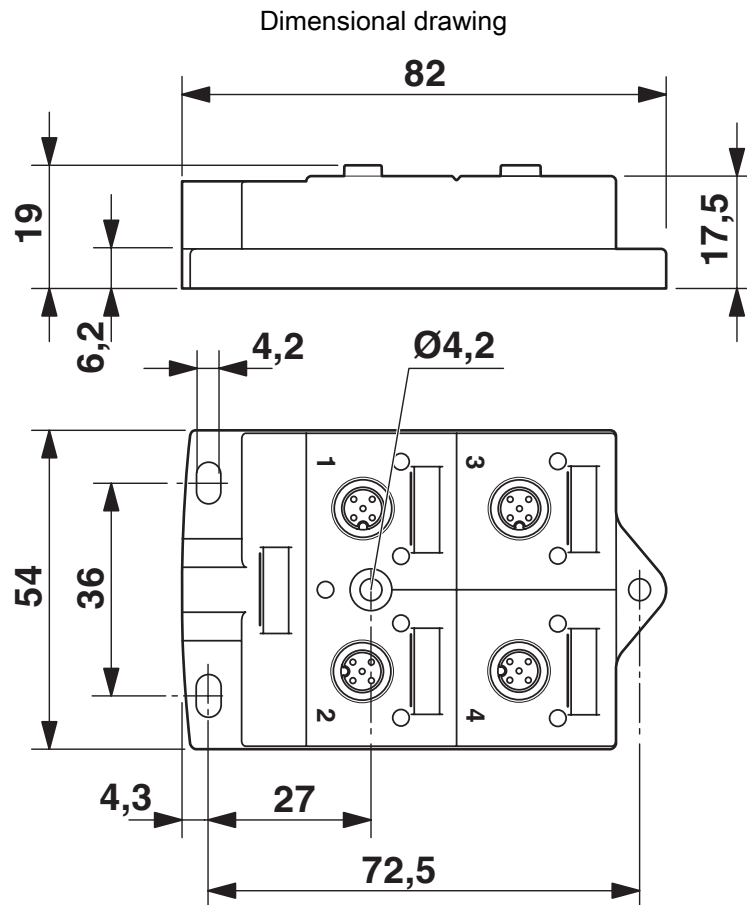
# PSR-SACB-4/4-L- 5,0PUR-SD - Distributor box



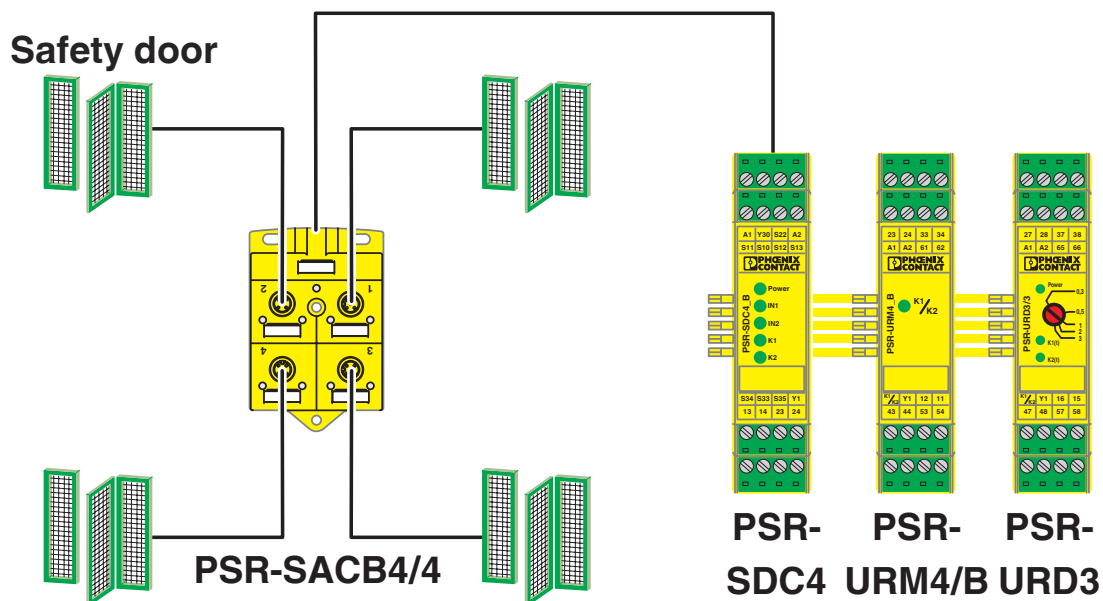
2981871

<https://www.phoenixcontact.com/us/products/2981871>

## Drawings

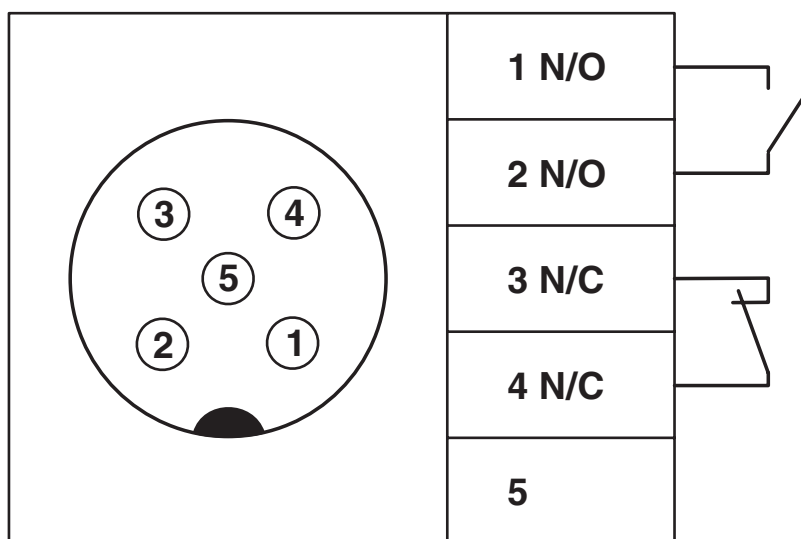


## Application drawing



Signals of up to 4 safety door switches can be switched together directly in the field.

## Connection diagram

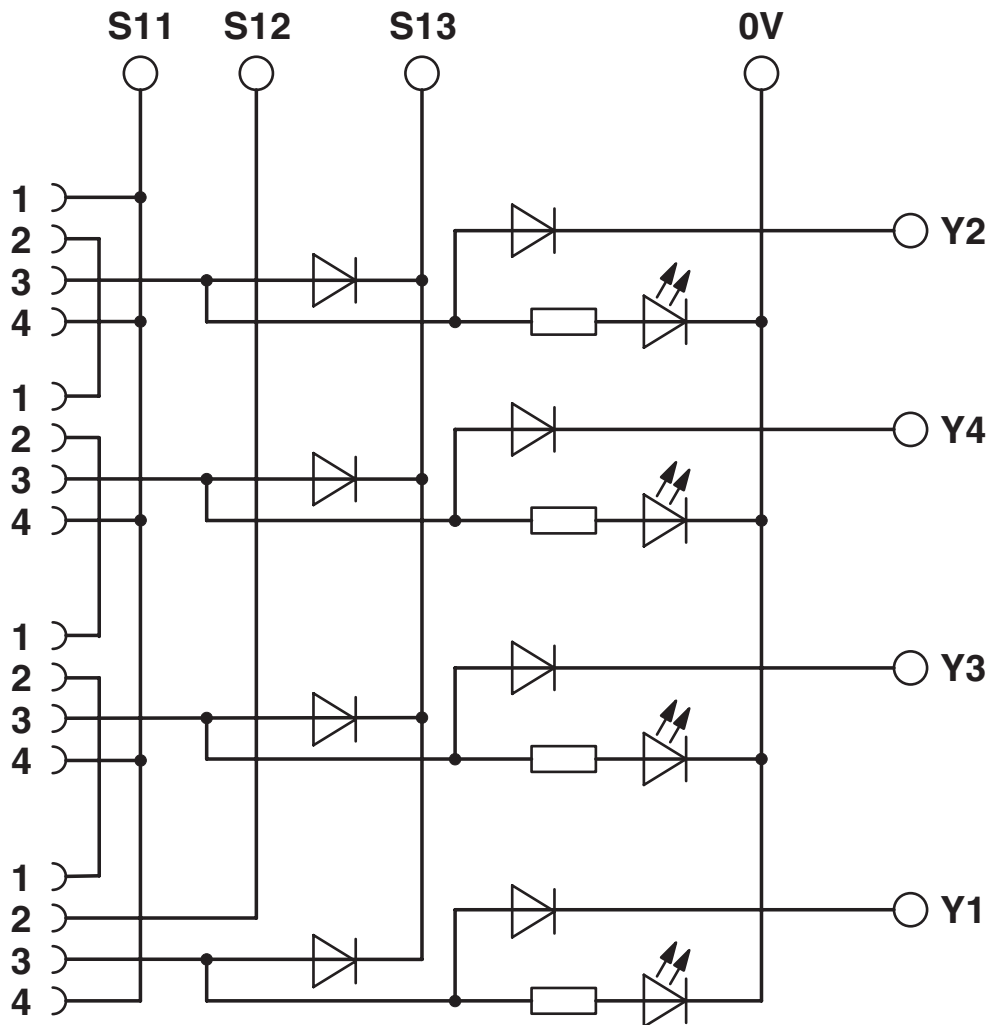


Wiring of the M12 contacts (open safety door)

2981871

<https://www.phoenixcontact.com/us/products/2981871>

Block diagram



Block diagram

# PSR-SACB-4/4-L- 5,0PUR-SD - Distributor box



2981871

<https://www.phoenixcontact.com/us/products/2981871>

## Classifications

### UNSPSC

UNSPSC 21.0	31251500
-------------	----------

2981871

<https://www.phoenixcontact.com/us/products/2981871>

## Environmental product compliance

### EU RoHS

Fulfills EU RoHS substance requirements	Yes, No exemptions
---	--------------------

### China RoHS

Environment friendly use period (EFUP)	EFUP-E
	No hazardous substances above the limits

### EU REACH SVHC

REACH candidate substance (CAS No.)	No substance above 0.1 wt%
-------------------------------------	----------------------------

Phoenix Contact 2026 © - all rights reserved  
<https://www.phoenixcontact.com>

Phoenix Contact USA  
586 Fulling Mill Road  
Middletown, PA 17057, United States  
(+717) 944-1300  
[info@phoenixcon.com](mailto:info@phoenixcon.com)