

PSR-SPP- 24DC/SSM/2X1 - Safety relay module



2981570

<https://www.phoenixcontact.com/us/products/2981570>

Please be informed that the data shown in this PDF document is generated from our online catalog. Please find the complete data in the user documentation. Our general terms of use for downloads are valid.



The figure shows a version with a screw connection

2-channel zero-speed safety relay, 2 N/O contacts for SIL 3 in accordance with IEC 61508, control with 2 standard initiators, width: 22.5 mm, plug-in Push-in terminal block

Your advantages

- Standard sensors can be connected
- Up to SIL 3 in accordance with IEC 61508
- Easy configuration via software (PSR-RSM4)

Commercial data

Item number	2981570
Packing unit	1 pc
Note	Made to order (non-returnable)
Sales key	DN01
Product key	DNA241
GTIN	4017918996864
Weight per piece (including packing)	217.2 g
Weight per piece (excluding packing)	217.2 g
Customs tariff number	85371099
Country of origin	DE

PSR-SPP- 24DC/SSM/2X1 - Safety relay module



2981570

<https://www.phoenixcontact.com/us/products/2981570>

Technical data

Notes

Utilization restriction

EMC note	EMC: class A product, see manufacturer's declaration in the download area
----------	---

Product properties

Product type	Safety device
Application	Zero-speed safety relay
Mechanical service life	> 20x 10 ⁶ cycles
Relay type	Electromechanical relay with force-guided contacts in accordance with IEC/EN 61810-3

Insulation characteristics: Air clearances and creepage distances between the power circuits

Overvoltage category	III
Degree of pollution	2

Electrical properties

Nominal operating mode	100% operating factor
Interfaces	Initiator connection

Air clearances and creepage distances between the power circuits

Rated insulation voltage	250 V
Rated surge voltage/insulation	4 kV / Basic isolation, (safe isolation, reinforced insulation and 6 kV between input circuit and enabling current paths.)

Input data

General

Nominal input voltage U_N	24 V DC
Input voltage range in reference to U_N	0.85 ... 1.1
Typical input current at U_N	60 mA
Voltage at input/start and feedback circuit	approx. 24 V DC
Typical response time	12 ms
Typical release time	8 ms
Recovery time	1 s
Protective circuit	Surge protection; Suppressor diode
Limit frequency	2 kHz
Switching range (operation)	> 2.5 Hz
Switching range (complete stop)	< 2 Hz
Status display	LED (green)

Output data

Contact switching type	2 enabling current paths
------------------------	--------------------------

PSR-SPP- 24DC/SSM/2X1 - Safety relay module



2981570

<https://www.phoenixcontact.com/us/products/2981570>

	2 signaling current paths
Contact material	AgNi10, + 5 µm Au
Maximum switching voltage	250 V AC/DC (when the gold layer is destroyed) 60 V AC/DC (with gold layer existing)
Minimum switching voltage	100 mV AC/DC
Limiting continuous current	5 A 100 mA (alarm outputs)
Maximum inrush current	5 A
Inrush current, minimum	1 mA
Sq. Total current	$20.5 \text{ A}^2 (I_{TH}^2 = I_1^2 + I_2^2)$
Interrupting rating (ohmic load) max.	120 W (24 V DC, $\tau = 0 \text{ ms}$) 130 W (48 V DC, $\tau = 0 \text{ ms}$) 88 W (110 V DC, $\tau = 0 \text{ ms}$) 66 W (220 V DC, $\tau = 0 \text{ ms}$)
Switching power min.	1 mW
Switching capacity (3600/h cycles)	2 A (24 V (DC13)) 3 A (230 V (AC15))
Output fuse	6 A gL

Connection data

Conductor connection

Connection method	Push-in connection
Conductor cross-section, rigid	0.2 mm ² ... 1.5 mm ²
Conductor cross-section, flexible	0.2 mm ² ... 1.5 mm ²
Conductor cross-section AWG	24 ... 16
Stripping length	8 mm

Dimensions

Width	22.5 mm
Height	112 mm
Depth	114.5 mm

Material specifications

Color	yellow
-------	--------

Characteristics

Safety data

Stop category (EN 60204-1)	0
Category in acc. with EN 954-1	4

Safety data: IEC 61508 - High demand

Safety Integrity Level (SIL)	3
------------------------------	---

Environmental and real-life conditions

PSR-SPP- 24DC/SSM/2X1 - Safety relay module



2981570

<https://www.phoenixcontact.com/us/products/2981570>

Ambient conditions

Degree of protection	IP54
	IP20
Min. degree of protection of inst. location	IP54
Ambient temperature (operation)	-20 °C ... 55 °C
Ambient temperature (storage/transport)	-40 °C ... 70 °C
Maximum altitude	max. 2000 m (Above sea level)
Max. permissible humidity (storage/transport)	75 % (on average, 85% infrequently, non-condensing)
Max. permissible relative humidity (operation)	75 % (on average, 85% infrequently, non-condensing)

Standards and regulations

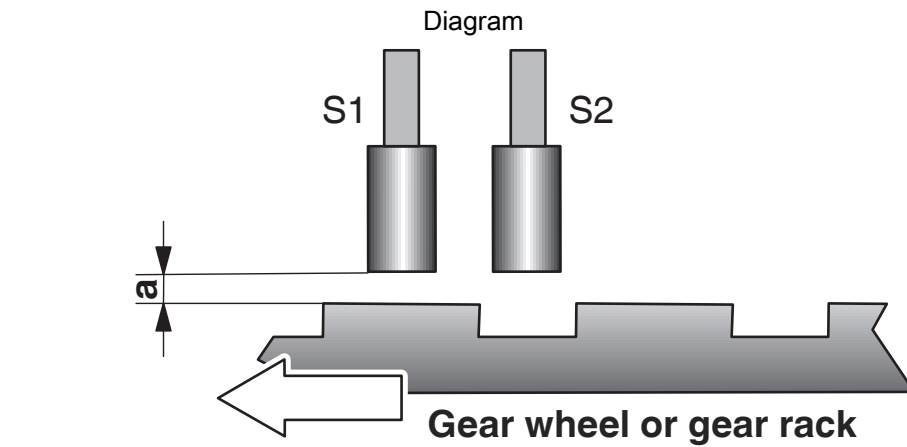
Air clearances and creepage distances between the power circuits

Standards/regulations	EN 60664/VDE 0110
-----------------------	-------------------

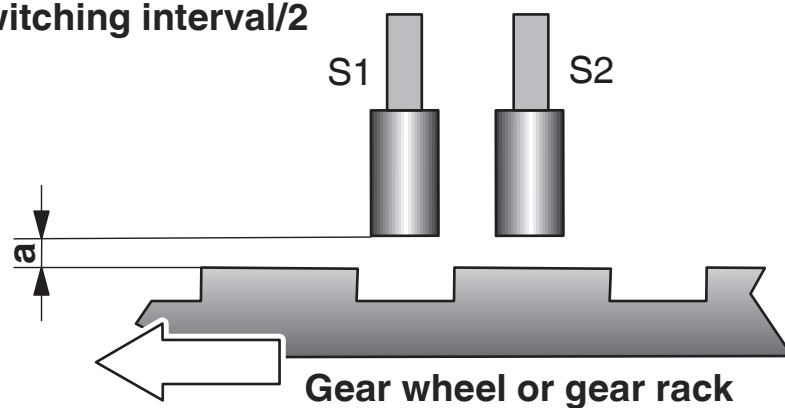
Mounting

Mounting type	DIN rail mounting
Assembly note	in rows with zero spacing
Mounting position	any

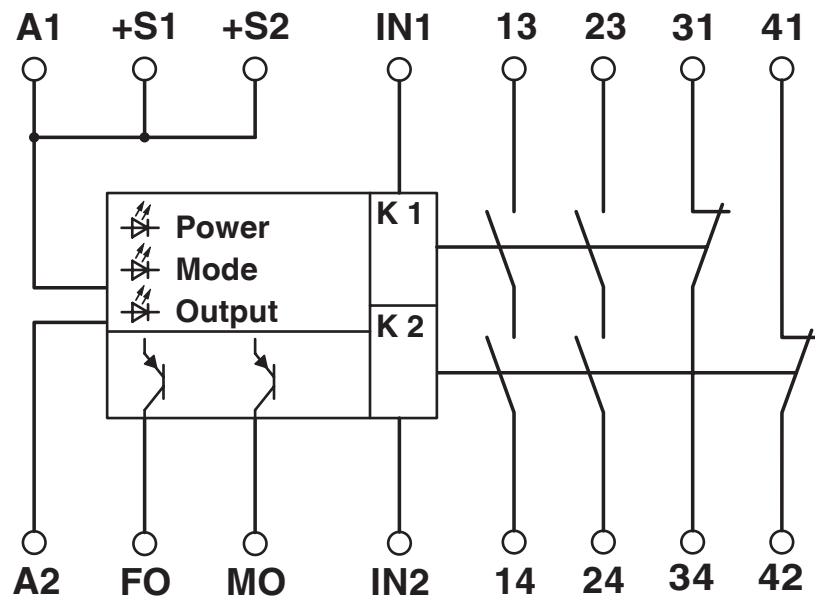
Drawings



a = Switching interval/2



Circuit diagram

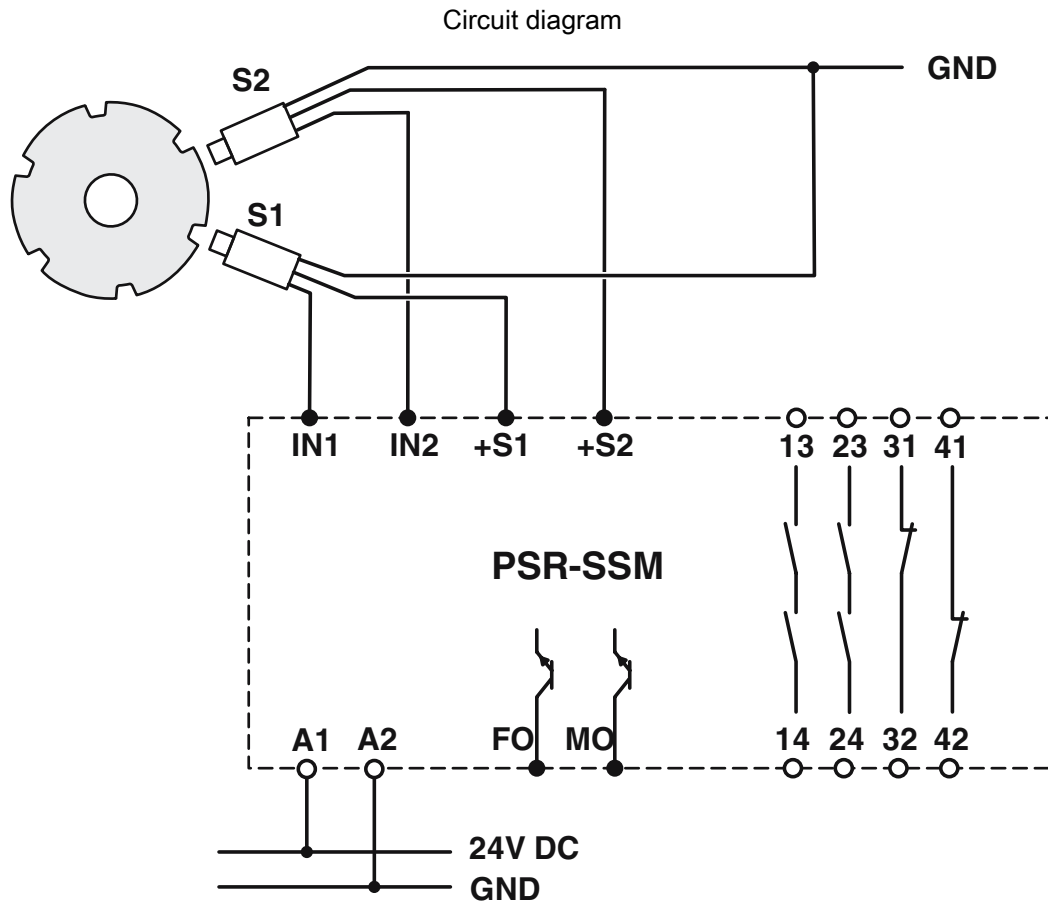


PSR-SPP- 24DC/SSM/2X1 - Safety relay module



2981570

<https://www.phoenixcontact.com/us/products/2981570>



PSR-SPP- 24DC/SSM/2X1 - Safety relay module



2981570

<https://www.phoenixcontact.com/us/products/2981570>

Environmental product compliance

China RoHS

Environment friendly use period (EFUP)	EFUP-E
	No hazardous substances above the limits

EU REACH SVHC

REACH candidate substance (CAS No.)	No substance above 0.1 wt%
-------------------------------------	----------------------------

Phoenix Contact 2026 © - all rights reserved
<https://www.phoenixcontact.com>

Phoenix Contact USA
586 Fulling Mill Road
Middletown, PA 17057, United States
(+717) 944-1300
info@phoenixcon.com