

# PSR-SCP- 24DC/SSM/2X1 - Safety relay module



2981567

<https://www.phoenixcontact.com/us/products/2981567>

Please be informed that the data shown in this PDF document is generated from our online catalog. Please find the complete data in the user documentation. Our general terms of use for downloads are valid.



Two-channel over-speed safety relay, 2 N/O contacts for SIL 3 in acc. with IEC 61508, control with two standard initiators, pluggable screw connection terminal blocks, width: 22.5 mm

## Your advantages

- Standard sensors can be connected
- Up to SIL 3 in accordance with IEC 61508
- Easy configuration via software (PSR-RSM4)

## Commercial data

Item number	2981567
Packing unit	1 pc
Note	Made to order (non-returnable)
Sales key	DN01
Product key	DNA241
GTIN	4017918996857
Weight per piece (including packing)	222.6 g
Weight per piece (excluding packing)	207 g
Customs tariff number	85371099
Country of origin	DE

# PSR-SCP- 24DC/SSM/2X1 - Safety relay module



2981567

<https://www.phoenixcontact.com/us/products/2981567>

## Technical data

### Notes

#### Utilization restriction

EMC note	EMC: class A product, see manufacturer's declaration in the download area
----------	---

### Product properties

Product type	Safety device
Application	Zero-speed safety relay
Mechanical service life	> 20x 10 <sup>6</sup> cycles
Relay type	Electromechanical relay with force-guided contacts in accordance with IEC/EN 61810-3

#### Insulation characteristics: Air clearances and creepage distances between the power circuits

Overvoltage category	III
Degree of pollution	2

### Electrical properties

Nominal operating mode	100% operating factor
Interfaces	Initiator connection

#### Air clearances and creepage distances between the power circuits

Rated insulation voltage	250 V
Rated surge voltage/insulation	4 kV / Basic isolation, (safe isolation, reinforced insulation and 6 kV between input circuit and enabling current paths.)

### Input data

#### General

Nominal input voltage $U_N$	24 V DC
Input voltage range in reference to $U_N$	0.85 ... 1.1
Typical input current at $U_N$	60 mA
Voltage at input/start and feedback circuit	approx. 24 V DC
Typical response time	12 ms
Typical release time	8 ms
Recovery time	1 s
Protective circuit	Surge protection; Suppressor diode
Limit frequency	2 kHz
Switching range (operation)	> 2.5 Hz
Switching range (complete stop)	< 2 Hz
Status display	LED (green)

### Output data

Contact switching type	2 enabling current paths
------------------------	--------------------------

# PSR-SCP- 24DC/SSM/2X1 - Safety relay module



2981567

<https://www.phoenixcontact.com/us/products/2981567>

	2 signaling current paths
Contact material	AgNi10, + 5 µm Au
Maximum switching voltage	250 V AC/DC (when the gold layer is destroyed) 60 V AC/DC (with gold layer existing)
Minimum switching voltage	100 mV AC/DC
Limiting continuous current	5 A 100 mA (alarm outputs)
Maximum inrush current	5 A
Inrush current, minimum	1 mA
Sq. Total current	$20.5 \text{ A}^2 (I_{\text{TH}}^2 = I_1^2 + I_2^2)$
Interrupting rating (ohmic load) max.	120 W (24 V DC, $\tau = 0 \text{ ms}$ ) 130 W (48 V DC, $\tau = 0 \text{ ms}$ ) 88 W (110 V DC, $\tau = 0 \text{ ms}$ ) 66 W (220 V DC, $\tau = 0 \text{ ms}$ )
Switching power min.	1 mW
Switching capacity (3600/h cycles)	2 A (24 V (DC13)) 3 A (230 V (AC15))
Output fuse	6 A gL

## Connection data

### Conductor connection

Connection method	Screw connection
Conductor cross-section, rigid	0.2 mm <sup>2</sup> ... 2.5 mm <sup>2</sup>
Conductor cross-section, flexible	0.2 mm <sup>2</sup> ... 2.5 mm <sup>2</sup>
Conductor cross-section AWG	24 ... 12
Stripping length	7 mm
Screw thread	M3

## Dimensions

Width	22.5 mm
Height	99 mm
Depth	114.5 mm

## Material specifications

Color	yellow
-------	--------

## Characteristics

### Safety data

Stop category (EN 60204-1)	0
Category in acc. with EN 954-1	4

Safety data: IEC 61508 - High demand

Safety Integrity Level (SIL)	3
------------------------------	---

# PSR-SCP- 24DC/SSM/2X1 - Safety relay module



2981567

<https://www.phoenixcontact.com/us/products/2981567>

## Environmental and real-life conditions

### Ambient conditions

Degree of protection	IP54
	IP20
Min. degree of protection of inst. location	IP54
Ambient temperature (operation)	-20 °C ... 55 °C
Ambient temperature (storage/transport)	-40 °C ... 70 °C
Maximum altitude	max. 2000 m (Above sea level)
Max. permissible humidity (storage/transport)	75 % (on average, 85% infrequently, non-condensing)
Max. permissible relative humidity (operation)	75 % (on average, 85% infrequently, non-condensing)

## Standards and regulations

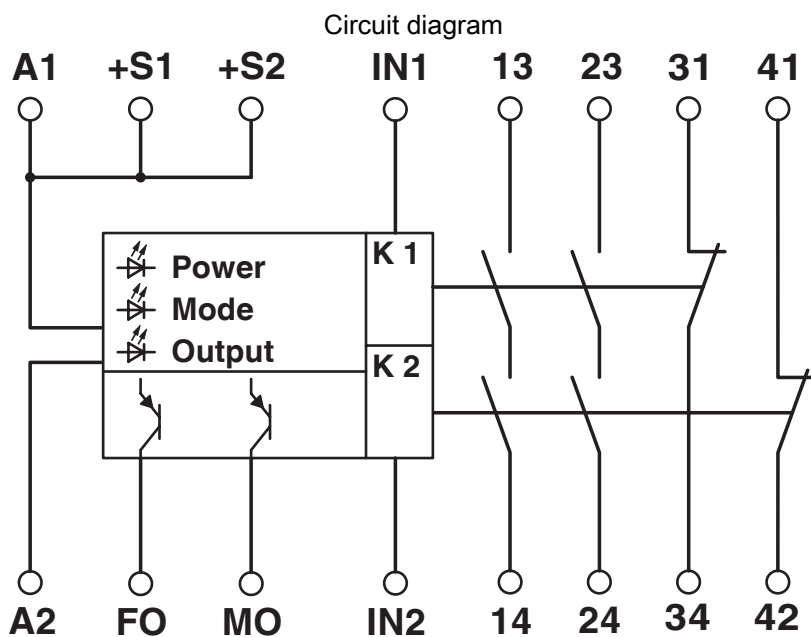
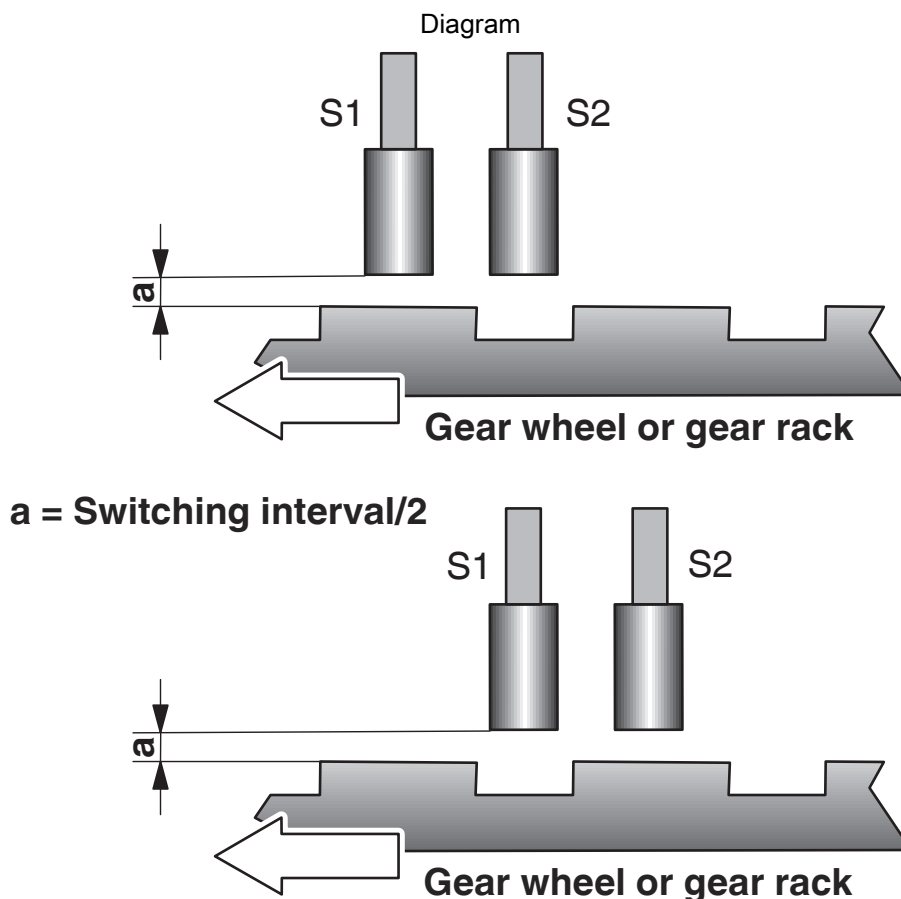
### Air clearances and creepage distances between the power circuits

Standards/regulations	EN 60664/VDE 0110
-----------------------	-------------------

## Mounting

Mounting type	DIN rail mounting
Assembly note	in rows with zero spacing
Mounting position	any

Drawings



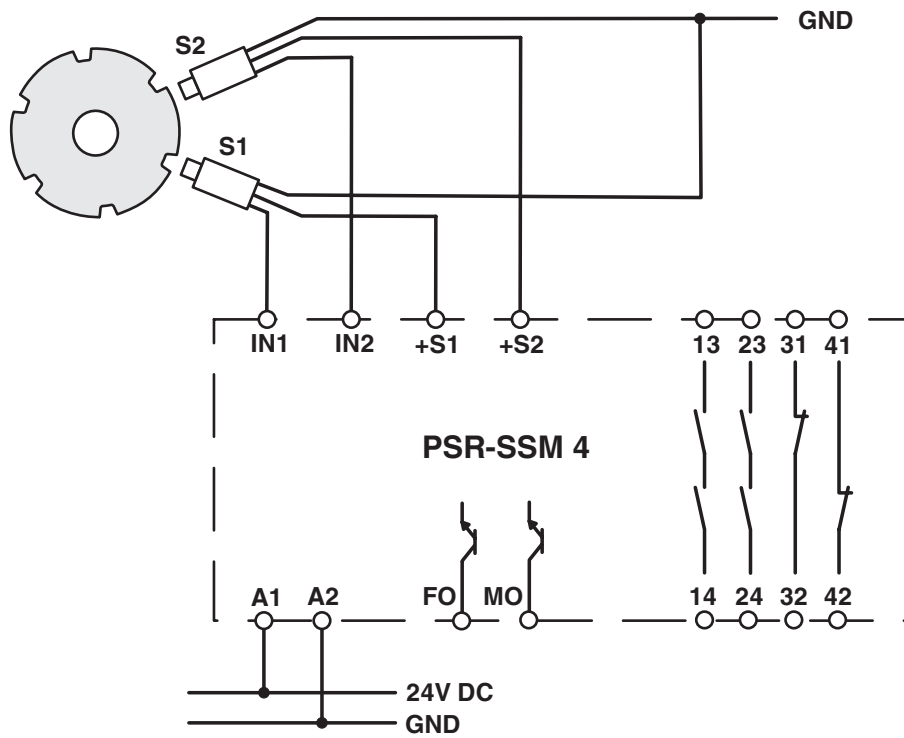
# PSR-SCP- 24DC/SSM/2X1 - Safety relay module



2981567

<https://www.phoenixcontact.com/us/products/2981567>

Circuit diagram



# PSR-SCP- 24DC/SSM/2X1 - Safety relay module



2981567

<https://www.phoenixcontact.com/us/products/2981567>

## Environmental product compliance

### China RoHS

Environment friendly use period (EFUP)	EFUP-50
	An article-related China RoHS declaration table can be found in the download area for the respective article under "Manufacturer declaration". For all articles with EFUP-E, no China RoHS declaration table issued and required.

### EU REACH SVHC

REACH candidate substance (CAS No.)	No substance above 0.1 wt%
-------------------------------------	----------------------------

Phoenix Contact 2026 © - all rights reserved  
<https://www.phoenixcontact.com>

Phoenix Contact USA  
586 Fulling Mill Road  
Middletown, PA 17057, United States  
(+717) 944-1300  
[info@phoenixcon.com](mailto:info@phoenixcon.com)