

PSR-SCP- 24DC/RSM4/4X1 - Safety relay module



2981538

<https://www.phoenixcontact.com/us/products/2981538>

Please be informed that the data shown in this PDF document is generated from our online catalog. Please find the complete data in the user documentation. Our general terms of use for downloads are valid.



2-channel over-speed and zero-speed safety relay up to SIL 3 or Cat. 4, PL e in accordance with EN ISO 13849, 4 N/O contacts, suitable for connecting incremental encoders and initiators, plug-in screw terminal blocks, width: 45 mm

Your advantages

- Easy configuration via software (PSR-RSM4)
- Up to SIL 3 in accordance with IEC 61508
- Standard sensors can be connected

Commercial data

Item number	2981538
Packing unit	1 pc
Sales key	DN01
Product key	DNA242
GTIN	4017918996826
Weight per piece (including packing)	370.1 g
Weight per piece (excluding packing)	365 g
Customs tariff number	90328900
Country of origin	DE

Technical data

Product properties

Product type	Safety device
Application	Over-speed safety relay
	Zero-speed safety relay
Control	2-channel
Mechanical service life	> 50x 10 ⁶ cycles
Relay type	Electromechanical relay with force-guided contacts in accordance with IEC/EN 61810-3

Insulation characteristics: Air clearances and creepage distances between the power circuits

Overvoltage category	II
Degree of pollution	2

Electrical properties

Maximum power dissipation for nominal condition	2.4 W
Nominal operating mode	100% operating factor
Interfaces	Encoder
	Initiator connection

Air clearances and creepage distances between the power circuits

Rated insulation voltage	250 V
	4 kV (Reinforced insulation)

Input data

General

Nominal input voltage U_N	24 V DC
Input voltage range in reference to U_N	0.85 ... 1.1
Typical input current at U_N	100 mA
Voltage at input/start and feedback circuit	approx. 24 V DC
Typical response time	15 ms
Typical release time	12 ms
Recovery time	1 s
Protective circuit	Surge protection; Suppressor diode
Limit frequency	2 kHz (IN1, IN2)
	400 kHz (RJ45)
Status display	LED (green)

Output data

Contact switching type	4 enabling current paths
Contact material	AgNi10, + 5 μ m Au
Maximum switching voltage	250 V AC/DC (when the gold layer is destroyed)
	60 V AC/DC (with gold layer existing)

PSR-SCP- 24DC/RSM4/4X1 - Safety relay module



2981538

<https://www.phoenixcontact.com/us/products/2981538>

Minimum switching voltage	100 mV AC/DC
Limiting continuous current	5 A
	100 mA (alarm outputs)
Maximum inrush current	6 A
Inrush current, minimum	1 mA
Sq. Total current	$42.25 \text{ A}^2 (I_{TH}^2 = I_1^2 + I_2^2 + I_3^2 + I_4^2)$
Interrupting rating (ohmic load) max.	67 W (24 V DC, $\tau = 0 \text{ ms}$)
	36 W (48 V DC, $\tau = 0 \text{ ms}$)
	43 MW (110 V DC, $\tau = 0 \text{ ms}$)
	68 MW (220 V DC, $\tau = 0 \text{ ms}$)
Switching power min.	1 mW
Switching capacity (3600/h cycles)	2 A (24 V (DC13))
	3 A (230 V (AC15))
Output fuse	6 A gL
Clock/signal	
Number of outputs	4

Connection data

Connection technology

pluggable	yes
-----------	-----

Conductor connection

Connection method	Screw connection
Conductor cross-section rigid	0.2 mm ² ... 2.5 mm ²
Conductor cross-section flexible	0.2 mm ² ... 2.5 mm ²
Conductor cross-section AWG	24 ... 12
Stripping length	7 mm
Screw thread	M3

Dimensions

Width	45 mm
Height	99 mm
Depth	114.5 mm

Material specifications

Color	yellow
Housing material	PA

Characteristics

Safety data

Stop category (EN 60204-1)	0
----------------------------	---

Safety data: EN ISO 13849

Performance level (PL)	e
------------------------	---

PSR-SCP- 24DC/RSM4/4X1 - Safety relay module



2981538

<https://www.phoenixcontact.com/us/products/2981538>

Safety data: IEC 61508 - High demand

Safety Integrity Level (SIL)	3
------------------------------	---

Safety data: IEC 61508 - Low demand

Safety Integrity Level (SIL)	3
------------------------------	---

Safety data

Safety Integrity Level (SIL)	3
------------------------------	---

Environmental and real-life conditions

Ambient conditions

Degree of protection	IP20
Min. degree of protection of inst. location	IP54
Ambient temperature (operation)	-20 °C ... 55 °C
Ambient temperature (storage/transport)	-40 °C ... 70 °C
Maximum altitude	max. 2000 m (Above sea level)
Max. permissible humidity (storage/transport)	75 % (on average, 85% infrequently, non-condensing)
Max. permissible relative humidity (operation)	75 % (on average, 85% infrequently, non-condensing)

Standards and regulations

Air clearances and creepage distances between the power circuits

Standards/regulations	DIN EN 60664-1
-----------------------	----------------

Mounting

Mounting type	DIN rail mounting
Assembly note	in rows with zero spacing
Mounting position	any

PSR-SCP- 24DC/RSM4/4X1 - Safety relay module

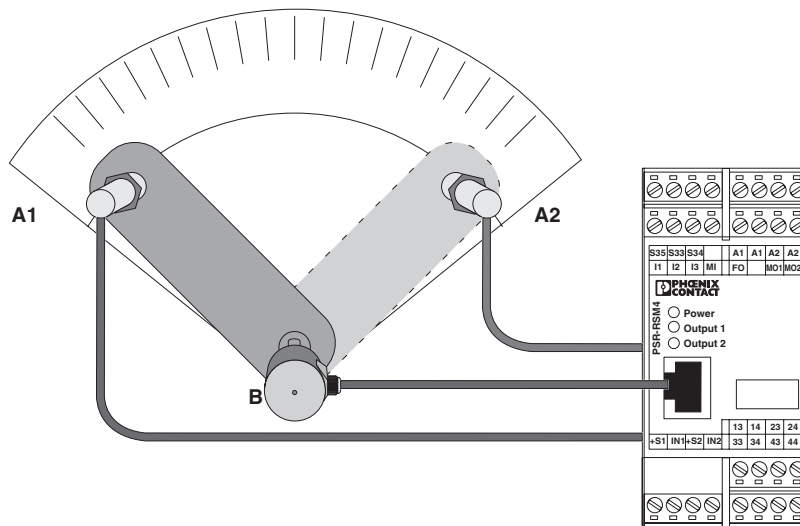


2981538

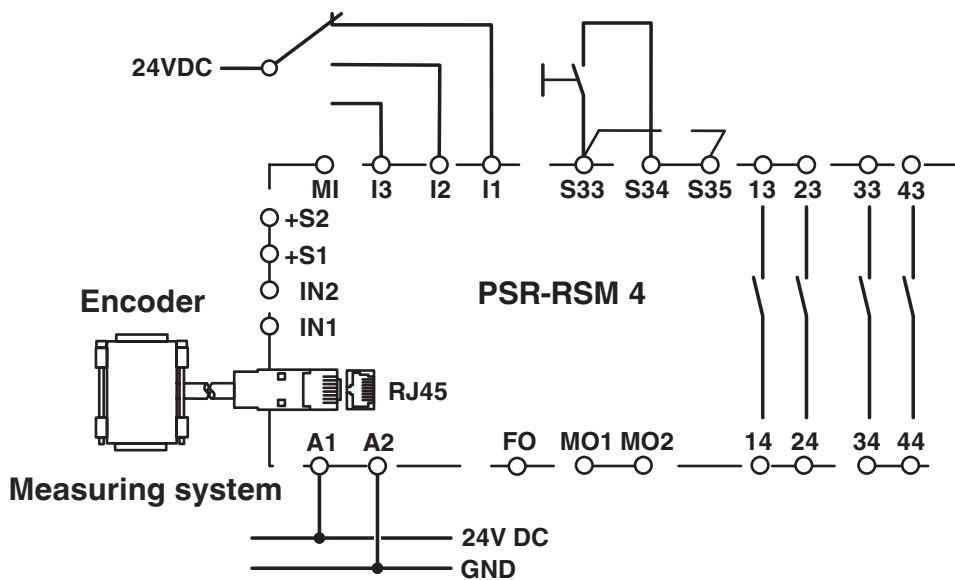
<https://www.phoenixcontact.com/us/products/2981538>

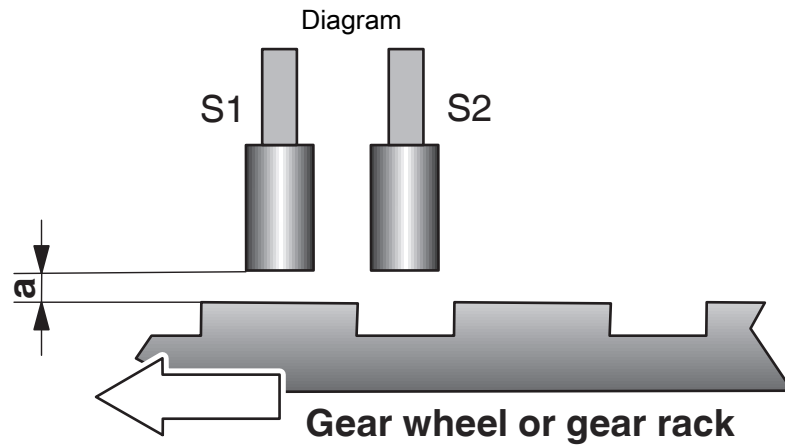
Drawings

Application drawing

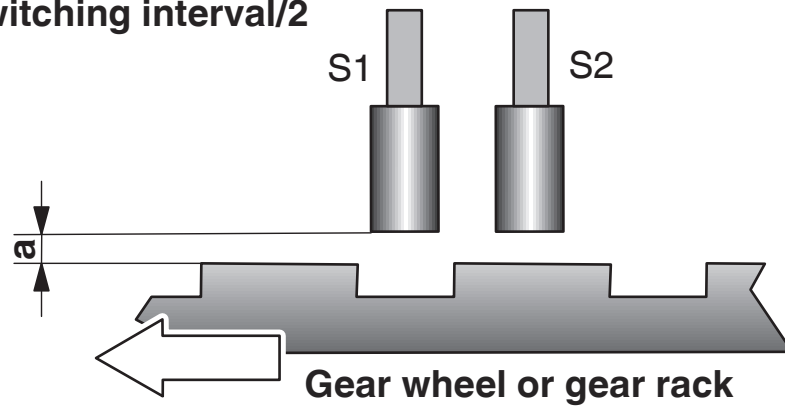


Diagram





$a = \text{Switching interval}/2$

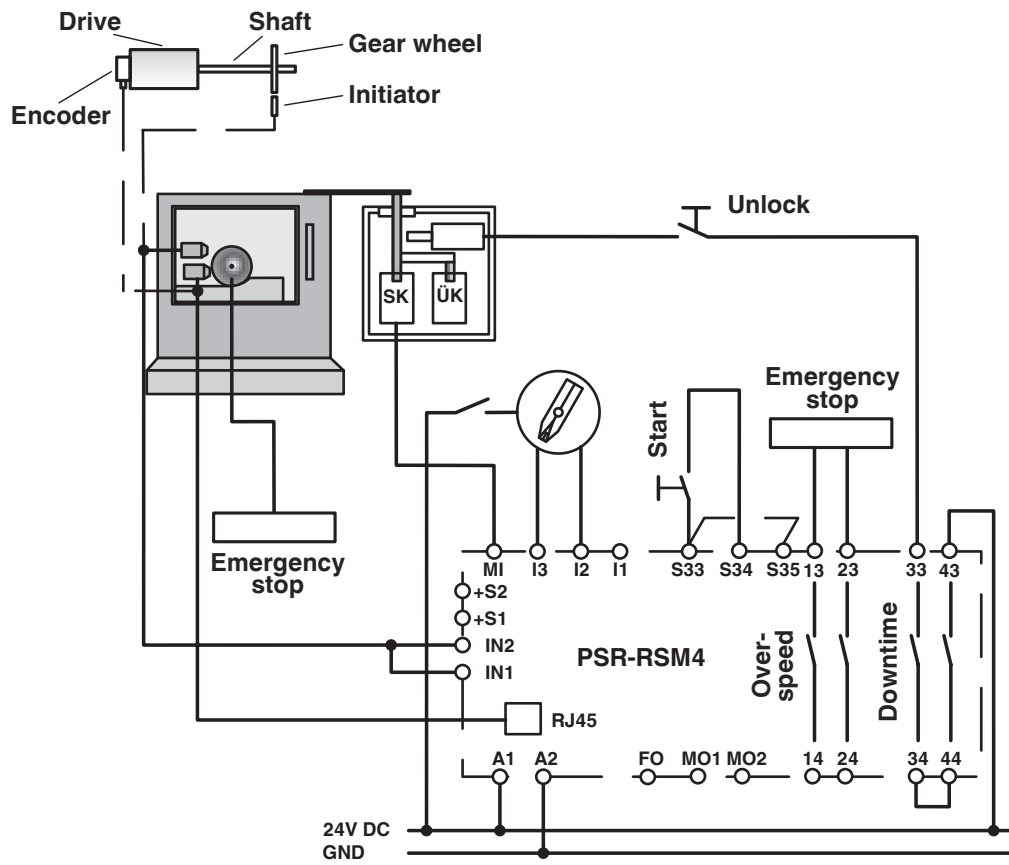


PSR-SCP- 24DC/RSM4/4X1 - Safety relay module

2981538

<https://www.phoenixcontact.com/us/products/2981538>

Diagram

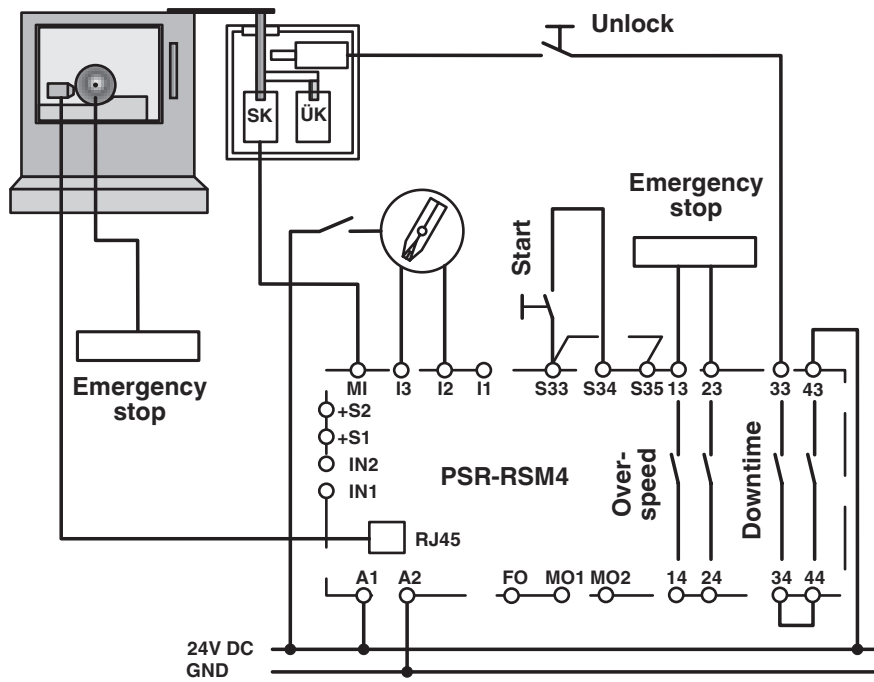


PSR-SCP- 24DC/RSM4/4X1 - Safety relay module

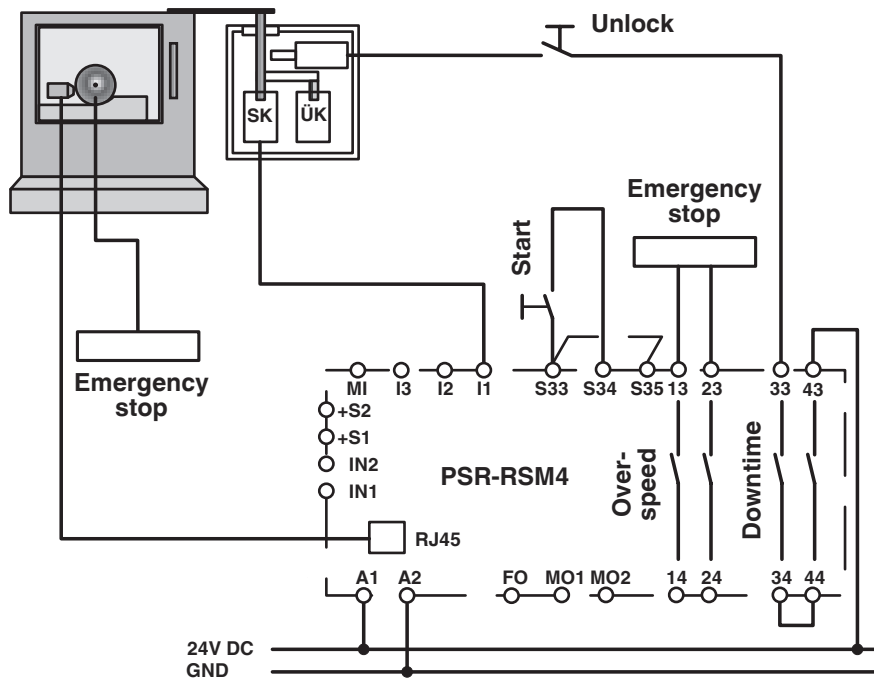
2981538

<https://www.phoenixcontact.com/us/products/2981538>

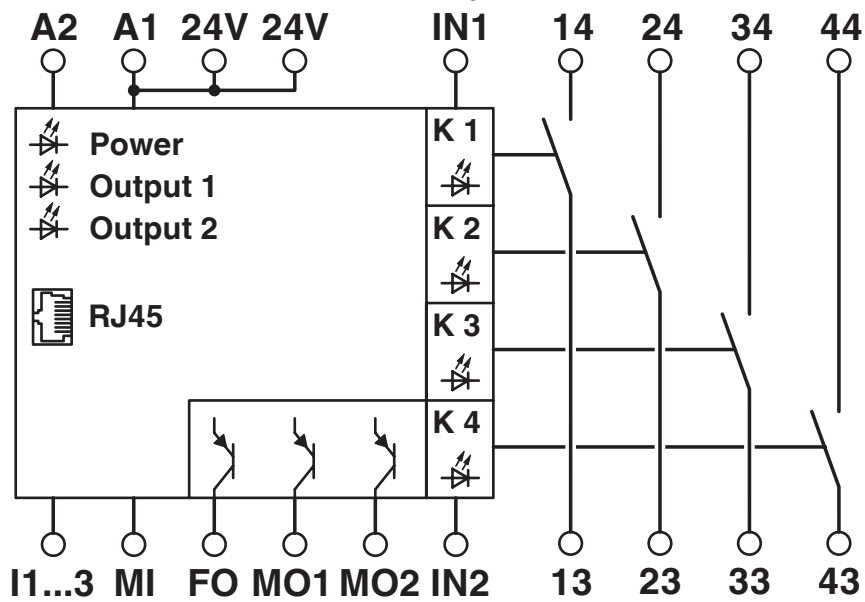
Diagram



Diagram



Circuit diagram



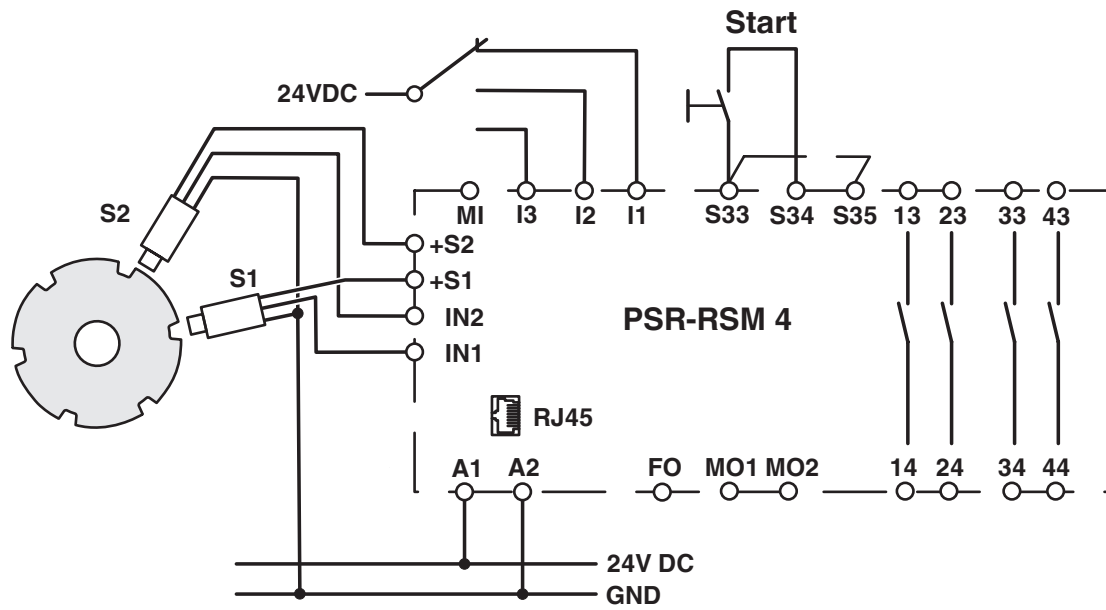
PSR-SCP- 24DC/RSM4/4X1 - Safety relay module



2981538

<https://www.phoenixcontact.com/us/products/2981538>

Circuit diagram



PSR-SCP- 24DC/RSM4/4X1 - Safety relay module



2981538

<https://www.phoenixcontact.com/us/products/2981538>

Classifications

ECLASS

ECLASS-13.0

27371811

ETIM

ETIM 9.0

EC001448

UNSPSC

UNSPSC 21.0

39122300

PSR-SCP- 24DC/RSM4/4X1 - Safety relay module



2981538

<https://www.phoenixcontact.com/us/products/2981538>

Environmental product compliance

EU RoHS

Fulfills EU RoHS substance requirements	Yes, No exemptions
---	--------------------

China RoHS

Environment friendly use period (EFUP)	EFUP-50
	An article-related China RoHS declaration table can be found in the download area for the respective article under "Manufacturer declaration". For all articles with EFUP-E, no China RoHS declaration table issued and required.

EU REACH SVHC

REACH candidate substance (CAS No.)	No substance above 0.1 wt%
-------------------------------------	----------------------------

Phoenix Contact 2026 © - all rights reserved

<https://www.phoenixcontact.com>

Phoenix Contact USA
586 Fulling Mill Road
Middletown, PA 17057, United States
(+717) 944-1300
info@phoenixcon.com