

PSR-SPP- 24DC/ESD/5X1/1X2/T10S - Safety relays



2981509

<https://www.phoenixcontact.com/us/products/2981509>

Please be informed that the data shown in this PDF document is generated from our online catalog. Please find the complete data in the user documentation. Our general terms of use for downloads are valid.



The figure shows a version of the product

Safety relay for emergency stop and safety door monitoring up to SIL 3 or Cat. 4, PL e in accordance with EN ISO 13849, automatic or manual activation, 3 N/O contacts, 1 N/C contact, 2 N/O contacts with a fixed dropout delay of 10 s, pluggable Push-in terminal block

Your advantages

- Up to Cat. 3/PL d in accordance with EN ISO 13849-1, SIL 2 for delayed contacts
- Up to Cat. 4/PL e in accordance with ISO 13849-1, SIL 3 in accordance with EN IEC 62061, SIL 3 in accordance with IEC 61508 for undelayed contacts
- 1- and 2-channel control
- 3 undelayed and 2 dropout delay contacts
- Fixed delay times of 10 s
- For emergency stop and safety door monitoring, plus evaluation of light grids

Commercial data

Item number	2981509
Packing unit	1 pc
Minimum order quantity	1 pc
Product key	DNA132
GTIN	4017918981105
Weight per piece (including packing)	445 g
Weight per piece (excluding packing)	445 g
Country of origin	DE

Technical data

Notes

Note on application

Note on application	Only for industrial use
---------------------	-------------------------

Product properties

Product type	Safety relays
Product family	PSRclassic
Application	Emergency stop Safety door Light grid
Control	1 and 2 channel
Mechanical service life	10x 10 ⁶ cycles
Relay type	Electromechanical relay with force-guided contacts in accordance with IEC/EN 61810-3

Insulation characteristics

Overvoltage category	III
Degree of pollution	2

Electrical properties

Maximum power dissipation for nominal condition	3.6 W
Nominal operating mode	100% operating factor
Rated insulation voltage	250 V AC
Rated surge voltage/insulation	Basic insulation 4 kV: between all current paths and housing Safe isolation, reinforced insulation 6 kV: between 13/14, 23/24, 33/34, and the remaining current paths between 13/14, 23/24, 33/34 among one another

Input data

General

Rated control circuit supply voltage U_S	24 V DC -15 % / +10 %
Power consumption at U_S	typ. 3.6 W
Rated control supply current I_S	typ. 150 mA
Inrush current	200 mA (at U_S) < 40 mA (with U_S/I_x to S10) < 150 mA (with U_S/I_x to S12) > -60 mA (with U_S/I_x to S22) < 40 mA (with U_S/I_x to S34) < 40 mA (with U_S/I_x to S35)
Current consumption	< 40 mA (with U_S/I_x to S10) < 40 mA (with U_S/I_x to S12)

PSR-SPP- 24DC/ESD/5X1/1X2/T10S - Safety relays



2981509

<https://www.phoenixcontact.com/us/products/2981509>

	> -40 mA (with U_s/I_x to S22)
	0 mA (with U_s/I_x to S34)
	< 5 mA (with U_s/I_x to S35)
Voltage at input/start and feedback circuit	24 V DC -15 % / +10 %
Filter time	1 ms (at A1 in the event of voltage dips at U_s)
	max. 1.5 ms (at S10, S12; test pulse width)
	7.5 ms (at S10, S12; test pulse rate)
	Test pulse rate = 5 x Test pulse width
Typical response time	< 600 ms (automatic start)
	< 70 ms (manual start)
Typ. starting time with U_s	< 600 ms (when controlled via A1)
Typical release time	< 20 ms (when controlled via S11/S12 and S21/S22)
	< 20 ms (when controlled via A1)
Concurrence	∞
Recovery time	< 1 s
Delay time	K3(t), K4(t) fixed depending on model
Maximum switching frequency	0.5 Hz
Protective circuit	Surge protection; Suppressor diode
Max. permissible overall conductor resistance	approx. 11 Ω (Input and start circuits at U_s)
Operating voltage display	1 x LED (green)
Status display	4 x LED (green)

Output data

Contact switching type	5 enabling current paths
	1 signaling current path
Contact material	AgSnO ₂
Maximum switching voltage	250 V AC/DC (Observe the load curve)
Minimum switching voltage	5 V AC/DC
Limiting continuous current	6 A (N/O contact, pay attention to the derating)
	6 A (N/C contact)
Maximum inrush current	20 A ($\Delta t \leq \text{[Symbol]} \mu\text{s}$, undelayed contacts)
	8 A (delayed contacts)
Inrush current, minimum	10 mA
Sq. Total current	55 A ² (observe derating)
Switching power min.	50 mW
Output fuse	10 A gL/gG (N/O contact)
	6 A gL/gG (N/C contact)

Connection data

Connection technology	
pluggable	yes
Conductor connection	
Connection method	Push-in connection

PSR-SPP- 24DC/ESD/5X1/1X2/T10S - Safety relays



2981509

<https://www.phoenixcontact.com/us/products/2981509>

Conductor cross-section rigid	0.2 mm ² ... 1.5 mm ²
Conductor cross-section flexible	0.2 mm ² ... 1.5 mm ²
Conductor cross-section, flexible, with ferrule, with plastic sleeve	0.25 mm ² ... 1.5 mm ² (only together with CRIMPFOX 6)
Conductor cross-section, flexible, with ferrule, without plastic sleeve	0.25 mm ² ... 1.5 mm ² (only together with CRIMPFOX 6)
Conductor cross-section AWG	24 ... 16
Stripping length	8 mm

Dimensions

Width	45 mm
Height	112 mm
Depth	114.5 mm

Material specifications

Color (Housing)	yellow (RAL 1018)
Housing material	PA

Characteristics

Safety data

Stop category (EN 60204-1)	0 (Undelayed contacts)
	1 (delayed contacts)

Safety data: EN ISO 13849

Performance level (PL)	e (for delayed contacts PL d)
------------------------	-------------------------------

Safety data: IEC 61508 - High demand

Safety Integrity Level (SIL)	3 (for delayed contacts SIL 2)
------------------------------	--------------------------------

Safety data: IEC 61508 - Low demand

Safety Integrity Level (SIL)	3 (for delayed contacts SIL 2)
------------------------------	--------------------------------

Safety data: EN IEC 62061

Safety Integrity Level (SIL)	3 (for delayed contacts SIL 2)
------------------------------	--------------------------------

Environmental and real-life conditions

Ambient conditions

Degree of protection	IP20
Min. degree of protection of inst. location	IP54
Ambient temperature (operation)	-20 °C ... 55 °C (observe derating)
Ambient temperature (storage/transport)	-40 °C ... 70 °C
Maximum altitude	≤ 2000 m (Above sea level)
Max. permissible humidity (storage/transport)	75 % (on average, 85% infrequently, non-condensing)
Max. permissible relative humidity (operation)	75 % (on average, 85% infrequently, non-condensing)
Shock	15g
Vibration (operation)	10 Hz ... 150 Hz, 2g

PSR-SPP- 24DC/ESD/5X1/1X2/T10S - Safety relays



2981509

<https://www.phoenixcontact.com/us/products/2981509>

Approvals

CE

Certificate	CE-compliant
-------------	--------------

Mounting

Mounting type	DIN rail mounting
Mounting position	any

PSR-SPP- 24DC/ESD/5X1/1X2/T10S - Safety relays

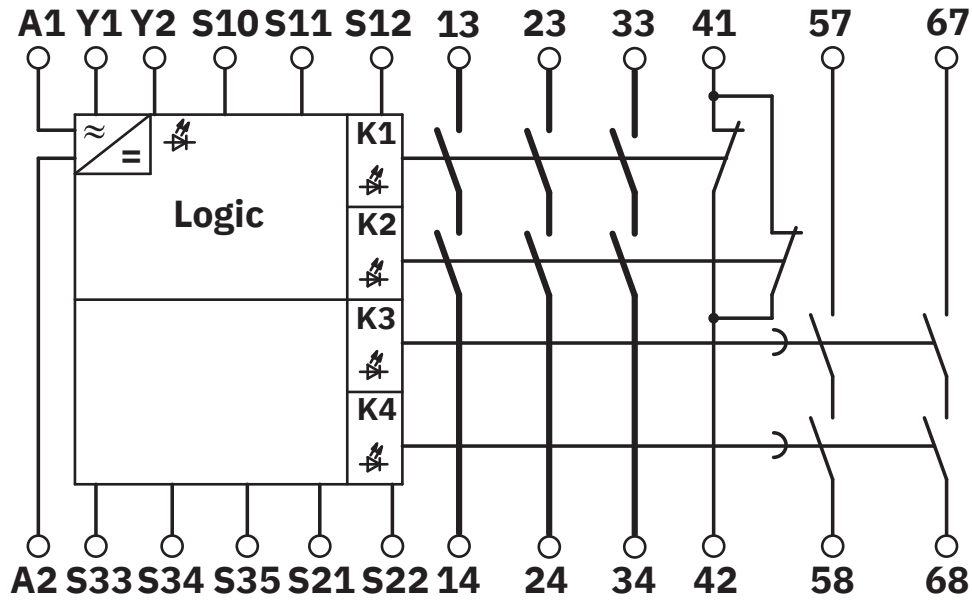


2981509

<https://www.phoenixcontact.com/us/products/2981509>

Drawings

Circuit diagram



Block diagram

PSR-SPP- 24DC/ESD/5X1/1X2/T10S - Safety relays



2981509

<https://www.phoenixcontact.com/us/products/2981509>

Approvals

To download certificates, visit the product detail page: <https://www.phoenixcontact.com/us/products/2981509>



cULus Listed

Approval ID: E140324



Functional Safety

Approval ID: 01/205/5347.04/23

PSR-SPP- 24DC/ESD/5X1/1X2/T10S - Safety relays



2981509

<https://www.phoenixcontact.com/us/products/2981509>

Classifications

ECLASS

ECLASS-13.0	27371819
ECLASS-15.0	27371819
ECLASS-15.0 ASSET	27250101

ETIM

ETIM 10.0	EC001449
-----------	----------

UNSPSC

UNSPSC 21.0	39122200
-------------	----------

2981509

<https://www.phoenixcontact.com/us/products/2981509>

Environmental product compliance

EU RoHS

Fulfills EU RoHS substance requirements	Yes
Exemption	7(a), 7(c)-I

China RoHS

Environment friendly use period (EFUP)	EFUP-50
	An article-related China RoHS declaration table can be found in the download area for the respective article under "Manufacturer declaration". For all articles with EFUP-E, no China RoHS declaration table issued and required.

EU REACH SVHC

REACH candidate substance (CAS No.)	Lead(CAS: 7439-92-1)
SCIP	f14bb188-fea4-4d5d-9ca1-096d60cd194c

EF3.1 Climate Change

CO2e kg	14.611 kg CO2e
---------	----------------

Phoenix Contact 2026 © - all rights reserved
<https://www.phoenixcontact.com>

Phoenix Contact USA
 586 Fulling Mill Road
 Middletown, PA 17057, United States
 (+717) 944-1300
info@phoenixcon.com