

PSR-SPF-120UC/URM/4X1/2X2 - Extension module

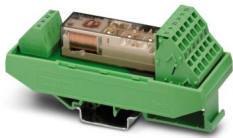


2981473

<https://www.phoenixcontact.com/us/products/2981473>

Please be informed that the data shown in this PDF document is generated from our online catalog. Please find the complete data in the user documentation. Our general terms of use for downloads are valid.

Universal safety relay with forcibly guided contacts, spring-cage connection, 4 N/O contacts, 2 N/C contacts, width: 40 mm



Your advantages

- 1-channel control
- Like all PSR safety relays, equipped with force-guided contacts in accordance with EN 50205

Commercial data

Item number	2981473
Packing unit	1 pc
Note	Made to order (non-returnable)
Sales key	DN01
Product key	DNA162
GTIN	4017918987817
Weight per piece (including packing)	126 g
Weight per piece (excluding packing)	95.58 g
Customs tariff number	85364900
Country of origin	DE

Technical data

Notes

Utilization restriction

EMC note	EMC: class A product, see manufacturer's declaration in the download area
----------	---

Product properties

Product type	Coupling relay
Application	Safe switch off
	High demand
	Low demand
Control	1-channel
Mechanical service life	approx. 10^7 cycles
Relay type	Electromechanical relay with force-guided contacts in accordance with IEC/EN 61810-3

Insulation characteristics: Air clearances and creepage distances between the power circuits

Overvoltage category	III
Degree of pollution	2

Electrical properties

Maximum power dissipation for nominal condition	1.44 W
Nominal operating mode	100% operating factor

Air clearances and creepage distances between the power circuits

Rated insulation voltage	250 V
Rated surge voltage/insulation	4 kV / Basic isolation, (safe isolation, reinforced insulation and 6 kV between input circuit and enabling current paths.)

Input data

General

Nominal input voltage U_N	120 V AC/DC
Input voltage range in reference to U_N	0.8 ... 1.1
Typical input current at U_N	12 mA
Typical response time	10 ms
Typical release time	10 ms

Output data

Contact switching type	4 N/O contacts
	2 N/C contacts
Contact material	AgSnO ₂
Maximum switching voltage	250 V AC/DC
Minimum switching voltage	15 V AC/DC

PSR-SPF-120UC/URM/4X1/2X2 - Extension module



2981473

<https://www.phoenixcontact.com/us/products/2981473>

Limiting continuous current	6 A (total current on request)
Maximum inrush current	6 A
Inrush current, minimum	25 mA
Interrupting rating (ohmic load) max.	144 W (24 V DC, $\tau = 0$ ms)
	288 W (48 V DC, $\tau = 0$ ms)
	77 W (110 V DC, $\tau = 0$ ms)
	88 W (220 V DC, $\tau = 0$ ms)
	1500 VA (250 V AC, $\tau = 0$ ms)
Maximum interrupting rating (inductive load)	48 W (24 V DC, $\tau = 40$ ms)
	40 W (48 V DC, $\tau = 40$ ms)
	35 W (110 V DC, $\tau = 40$ ms)
	33 W (220 V DC, $\tau = 40$ ms)
Switching power min.	0.4 W
Switching capacity (360/h cycles)	6 A (24 V DC)
	5 A (230 V AC)
Switching capacity (3600/h cycles)	3 A (24 V (DC13))
	3 A (230 V (AC15))
Output fuse	10 A gL/gK NEOZED (N/O contact)
	4 A gL/gK NEOZED (N/C contact)

Connection data

Connection technology

pluggable	no
-----------	----

Conductor connection

Connection method	Spring-cage connection
Conductor cross-section, rigid	0.2 mm ² ... 2.5 mm ²
Conductor cross-section, flexible	0.2 mm ² ... 2.5 mm ²
Conductor cross-section AWG	24 ... 12
Stripping length	10 mm

Dimensions

Width	40 mm
Height	111 mm
Depth	50.1 mm

Material specifications

Color	green
-------	-------

Characteristics

Safety data

Stop category (EN 60204-1)	0
----------------------------	---

Environmental and real-life conditions

PSR-SPF-120UC/URM/4X1/2X2 - Extension module



2981473

<https://www.phoenixcontact.com/us/products/2981473>

Ambient conditions

Degree of protection	IP20
Min. degree of protection of inst. location	IP54
Ambient temperature (operation)	-20 °C ... 55 °C
Ambient temperature (storage/transport)	-20 °C ... 70 °C
Maximum altitude	≤
Max. permissible humidity (storage/transport)	75 % (on average, 85% infrequently, non-condensing)
Max. permissible relative humidity (operation)	75 % (on average, 85% infrequently, non-condensing)
Shock	15g
Vibration (operation)	10 Hz ... 150 Hz, 2g

Standards and regulations

Air clearances and creepage distances between the power circuits

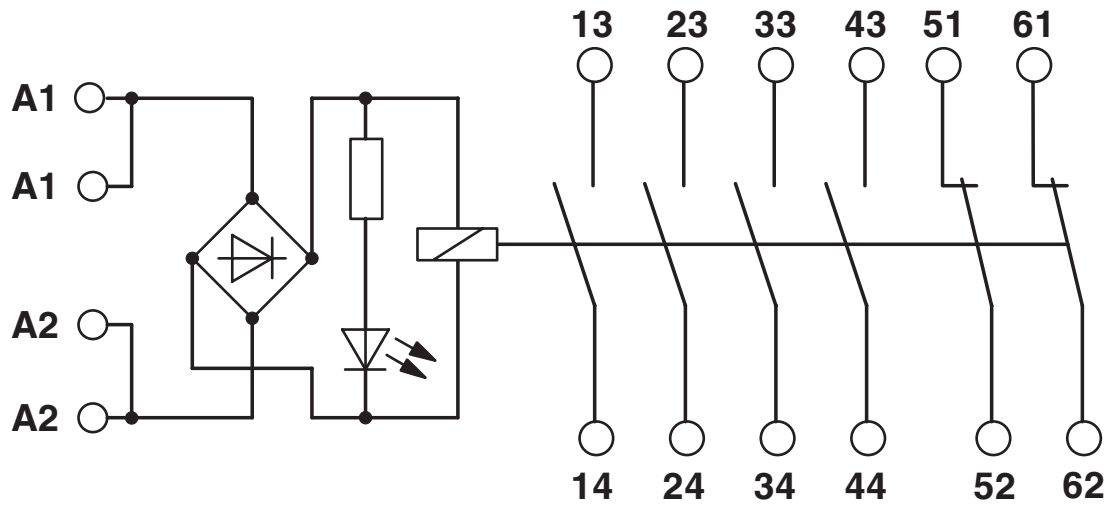
Standards/regulations	DIN EN 50178/VDE 0160
	EN 50205

Mounting

Mounting type	DIN rail mounting
Mounting position	any

Drawings

Circuit diagram



PSR-SPF-120UC/URM/4X1/2X2 - Extension module



2981473

<https://www.phoenixcontact.com/us/products/2981473>

Environmental product compliance

China RoHS

Environment friendly use period (EFUP)	EFUP-E
	No hazardous substances above the limits

EU REACH SVHC

REACH candidate substance (CAS No.)	No substance above 0.1 wt%
-------------------------------------	----------------------------

Phoenix Contact 2026 © - all rights reserved
<https://www.phoenixcontact.com>

Phoenix Contact USA
586 Fulling Mill Road
Middletown, PA 17057, United States
(+717) 944-1300
info@phoenixcon.com