

PSR-SCP- 24DC/ESP4/2X1/1X2 - Safety relays



2981020

<https://www.phoenixcontact.com/us/products/2981020>

Please be informed that the data shown in this PDF document is generated from our online catalog. Please find the complete data in the user documentation. Our general terms of use for downloads are valid.



Safety relay for SIL 3 high-demand and low-demand applications, also approved in accordance with EN 50156, DNV, and EN ISO 13849, emergency stop and safety door monitoring, 1-channel, 2 enabling current paths, 1 signal contact, plug-in screw terminal blocks, width: 22.5 mm

Your advantages

- Up to Cat. 4/PL e in accordance with ISO 13849-1, SIL 3 in accordance with EN IEC 62061, SIL 3 in accordance with IEC 61508
- 1-channel control
- Safe isolation
- With inrush current reduction, therefore suitable for coupling to failsafe controllers (PSR-ESP4)

Commercial data

Item number	2981020
Packing unit	1 pc
Minimum order quantity	1 pc
Sales key	DN01
Product key	DNA161
GTIN	4017918911065
Weight per piece (including packing)	175.18 g
Weight per piece (excluding packing)	152.86 g
Customs tariff number	85371098
Country of origin	DE

Technical data

Notes

Note on application

Note on application	Only for industrial use
---------------------	-------------------------

Product properties

Product type	Safety relays
Product family	PSRclassic
Application	Emergency stop
	Process technology
	Safety door
Control	1-channel
Mechanical service life	approx. 10^7 cycles
Relay type	Electromechanical relay with force-guided contacts in accordance with IEC/EN 61810-3

Insulation characteristics

Overvoltage category	III
Degree of pollution	2

Times

Typical response time	typ. 60 ms (For U_s manual, monitored start)
	60 ms (For U_s autostart)
Typ. starting time with U_s	60 ms (At U_s /on demand via A1)
Typical release time	typ. 20 ms (At U_s /on demand via A1)
Restart time	< 1 s (Boot time)
Recovery time	≥ 1 s (following demand of the safety function)
Start pulse length	≥ 500 ms (manual start)

Electrical properties

Maximum power dissipation for nominal condition	16.12 W (At $U_S = 26.4$ V, $I_L^2 = 72$ A ² , $P_{Total\ max} = 1.72$ W + 14.4 W)
Nominal operating mode	100% operating factor
Rated insulation voltage	250 V
Rated surge voltage/insulation	See data sheet, section "Insulation coordination".

Input data

Digital: Logic (A1)

Description of the input	safety-related
Number of inputs	1
Input voltage range "1" signal	20.4 V ... 26.4 V
Inrush current	max. 1 A (typ. with U_S , $\Delta t = < 10$ ms)
	max. 3 ms (Test pulse width of low test pulses)

PSR-SCP- 24DC/ESP4/2X1/1X2 - Safety relays



2981020

<https://www.phoenixcontact.com/us/products/2981020>

Filter time	min. 200 ms (Test pulse rate for low test pulse) No brightness test pulses / high test pulses permitted.
Max. permissible overall conductor resistance	50 Ω
Protective circuit	Suppressor diode
Current consumption	65 mA (typ. with U _S)

Digital: Start circuit (Y2)

Description of the input	non-safety-related
Number of inputs	1
Input voltage range "1" signal	20.4 V ... 26.4 V
Inrush current	< 14 mA (typ. with U _S at Y2, Δt - 10 ms)
Filter time	No test pulses permitted
Max. permissible overall conductor resistance	50 Ω
Protective circuit	Suppressor diode
Current consumption	0 mA (typ. with U _S at Y2)

Output data

Relay: Enabling current paths (13/14, 23/24)

Output description	2 N/O contacts each in series, safety-related, floating
Number of outputs	2
Contact switching type	2 enabling current paths
Contact material	AgSnO ₂
Switching voltage	min. 10 V max. 250 V AC/DC
Switching power	min. 100 mW
Inrush current	min. 10 mA max. 6 A
Switching capacity	5 A (AC15) 5 A (DC13)
Limiting continuous current	6 A (Observe derating and load limit curve)
Sq. Total current	72 A ² (observe derating)
Switching frequency	max. 0.5 Hz
Mechanical service life	10 ⁷ cycles
Output fuse	10 A gL/gG 4 A gL/gG (for low-demand applications)

Relay: Signaling current path (31/32)

Output description	2 N/C contacts parallel, non-safety-related, floating
Number of outputs	1
Contact switching type	1 signaling current path
Contact material	AgSnO ₂
Switching voltage	min. 10 V AC/DC max. 250 V AC/DC
Switching power	min. 100 mW

PSR-SCP- 24DC/ESP4/2X1/1X2 - Safety relays



2981020

<https://www.phoenixcontact.com/us/products/2981020>

Inrush current	min. 10 mA
	max. 6 A
Switching capacity	1.5 A (AC15)
	2 A (DC13)
Limiting continuous current	6 A
Sq. Total current	36 A ² (observe derating)
Switching frequency	max. 0.5 Hz
Mechanical service life	10 ⁷ cycles
Output fuse	6 A gL/gG

Connection data

Connection technology

pluggable	yes
-----------	-----

Conductor connection

Connection method	Screw connection
Conductor cross-section rigid	0.2 mm ² ... 2.5 mm ²
Conductor cross-section flexible	0.2 mm ² ... 2.5 mm ²
Conductor cross-section AWG	24 ... 12
Stripping length	7 mm
Screw thread	M3
Tightening torque	0.5 Nm ... 0.6 Nm

Signaling

Status display	LED (green)
Operating voltage display	Green LED

Dimensions

Width	22.5 mm
Height	99 mm
Depth	114.5 mm

Material specifications

Color (Housing)	yellow (RAL 1018)
Housing material	PA

Characteristics

Safety data

Stop category (EN 60204-1)	0
----------------------------	---

Safety data: EN ISO 13849

Performance level (PL)	e
------------------------	---

Safety data: IEC 61508 - High demand

Safety Integrity Level (SIL)	3
------------------------------	---

PSR-SCP- 24DC/ESP4/2X1/1X2 - Safety relays



2981020

<https://www.phoenixcontact.com/us/products/2981020>

Safety data: IEC 61508 - Low demand

Safety Integrity Level (SIL)	3
------------------------------	---

Safety data: EN IEC 62061

Safety Integrity Level (SIL)	3
------------------------------	---

Environmental and real-life conditions

Ambient conditions

Degree of protection	IP20
Min. degree of protection of inst. location	IP54
Ambient temperature (operation)	-20 °C ... 55 °C (observe derating)
Ambient temperature (storage/transport)	-40 °C ... 70 °C
Maximum altitude	≤ 2000 m (Above sea level)
Max. permissible humidity (storage/transport)	75 % (on average, 85% infrequently, non-condensing)
Max. permissible relative humidity (operation)	75 % (on average, 85% infrequently, non-condensing)
Shock	15g
Vibration (operation)	10 Hz ... 150 Hz, 2g

Approvals

CE

Identification	CE-compliant
----------------	--------------

Mounting

Mounting type	DIN rail mounting
Mounting position	On horizontal and vertical DIN rail

PSR-SCP- 24DC/ESP4/2X1/1X2 - Safety relays

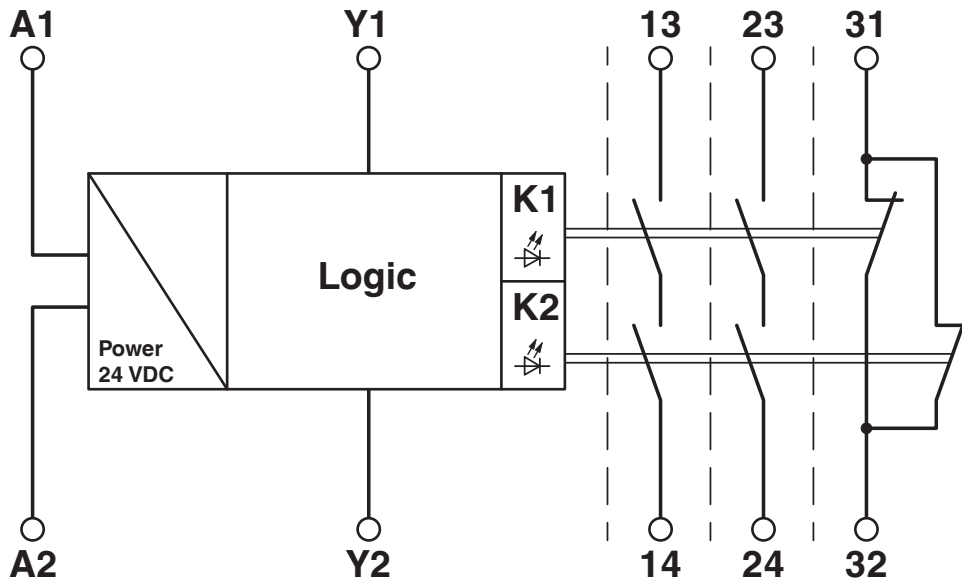


2981020

<https://www.phoenixcontact.com/us/products/2981020>

Drawings

Circuit diagram



Block diagram

PSR-SCP- 24DC/ESP4/2X1/1X2 - Safety relays



2981020

<https://www.phoenixcontact.com/us/products/2981020>

Approvals

🔗 To download certificates, visit the product detail page: <https://www.phoenixcontact.com/us/products/2981020>

DNV

Approval ID: TAA00000K4



cULus Listed

Approval ID: E140324



Functional Safety

Approval ID: 01/205/0763.04/23

PSR-SCP- 24DC/ESP4/2X1/1X2 - Safety relays



2981020

<https://www.phoenixcontact.com/us/products/2981020>

Classifications

ECLASS

ECLASS-13.0	27371819
ECLASS-15.0	27371819
ECLASS-15.0 ASSET	27250101

ETIM

ETIM 10.0	EC001449
-----------	----------

UNSPSC

UNSPSC 21.0	39122200
-------------	----------

2981020

<https://www.phoenixcontact.com/us/products/2981020>

Environmental product compliance

EU RoHS

Fulfills EU RoHS substance requirements	Yes
Exemption	7(a), 7(c)-I

China RoHS

Environment friendly use period (EFUP)	EFUP-50
	An article-related China RoHS declaration table can be found in the download area for the respective article under "Manufacturer declaration". For all articles with EFUP-E, no China RoHS declaration table issued and required.

EU REACH SVHC

REACH candidate substance (CAS No.)	Lead(CAS: 7439-92-1)
SCIP	dd23503e-e0e0-475d-ae14-eea0f4b647df

EF3.1 Climate Change

CO2e kg	9.711 kg CO2e
---------	---------------

Phoenix Contact 2026 © - all rights reserved
<https://www.phoenixcontact.com>

Phoenix Contact USA
586 Fulling Mill Road
Middletown, PA 17057, United States
(+717) 944-1300
info@phoenixcon.com