

PLC-SC-S/H - Switch

2980733

<https://www.phoenixcontact.com/us/products/2980733>



Please be informed that the data shown in this PDF document is generated from our online catalog. Please find the complete data in the user documentation. Our general terms of use for downloads are valid.



PLC-RELAY with integrated switch (actuation: Manual) with screw connection, for mounting on DIN rail NS 35/7.5, input voltage ≤ 72 V DC

Your advantages

- Just 6.2 mm wide
- Floating confirmation contact
- Screw- and Push-in connection

Commercial data

Item number	2980733
Packing unit	10 pc
Minimum order quantity	1 pc
Sales key	C461
Product key	DK622E
GTIN	4046356051477
Weight per piece (including packing)	34.12 g
Weight per piece (excluding packing)	28.53 g
Customs tariff number	85364190
Country of origin	DE

Technical data

Product properties

Product type	Switch module
Product family	PLC-INTERFACE
Operating mode	100% operating factor

Insulation characteristics

Insulation	Basic insulation
Overvoltage category	III
Pollution degree	2

Data management status

Date of last data management	01.04.2026
------------------------------	------------

Electrical properties

Rated insulation voltage	85 V AC
Rated surge voltage	0.5 kV

Output data

Switching

Maximum switching voltage	72 V DC
Minimum switching voltage	2 V DC
Maximum inrush current	50 mA
Min. switching current	1 mA
Switching cycles, max.	100 (At 72 V DC / 50 mA)
	10000 (at 12 V DC / 100 mA)
Insulation resistance	100 MΩ

Connection data

Connection method	Screw connection
Stripping length	8 mm
Screw thread	M3
Conductor cross-section rigid	0.14 mm ² ... 2.5 mm ²
Conductor cross-section flexible	0.14 mm ² ... 2.5 mm ²
	0.2 mm ² ... 2.5 mm ² (Single ferrule)
	2x 0.5 mm ² ... 1.5 mm ² (TWIN ferrule)
Conductor cross-section AWG	26 ... 14
Tightening torque	0.45 Nm ... 0.55 Nm (Usually these terminal blocks must be supported during conductor connection (held by one hand, supported on the housing))

Dimensions

Item dimensions

PLC-SC-S/H - Switch



2980733

<https://www.phoenixcontact.com/us/products/2980733>

Width	6.2 mm
Height	80 mm
Depth	90 mm

Material specifications

Flammability rating according to UL 94 (Housing)	V0 (Housing)
--	--------------

Environmental and real-life conditions

Ambient conditions

Ambient temperature (operation)	-20 °C ... 60 °C
Ambient temperature (storage/transport)	-40 °C ... 70 °C

Approvals

Corrosive gas test

Identification	ISA-S71.04. G3 Harsh Group
	EN 60068-2-60

Standards and regulations

Standards/regulations	IEC 60664
	EN 50178

Mounting

Mounting type	DIN rail mounting
Assembly note	in rows with zero spacing
Mounting position	any

PLC-SC-S/H - Switch

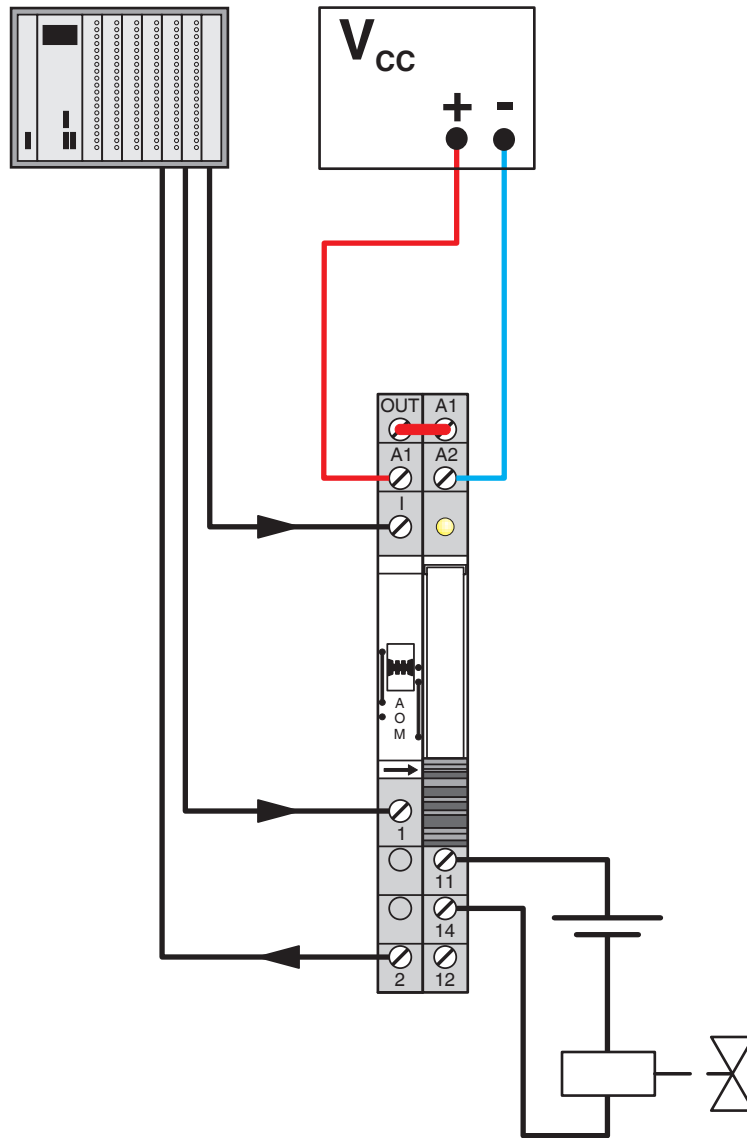
2980733

<https://www.phoenixcontact.com/us/products/2980733>



Drawings

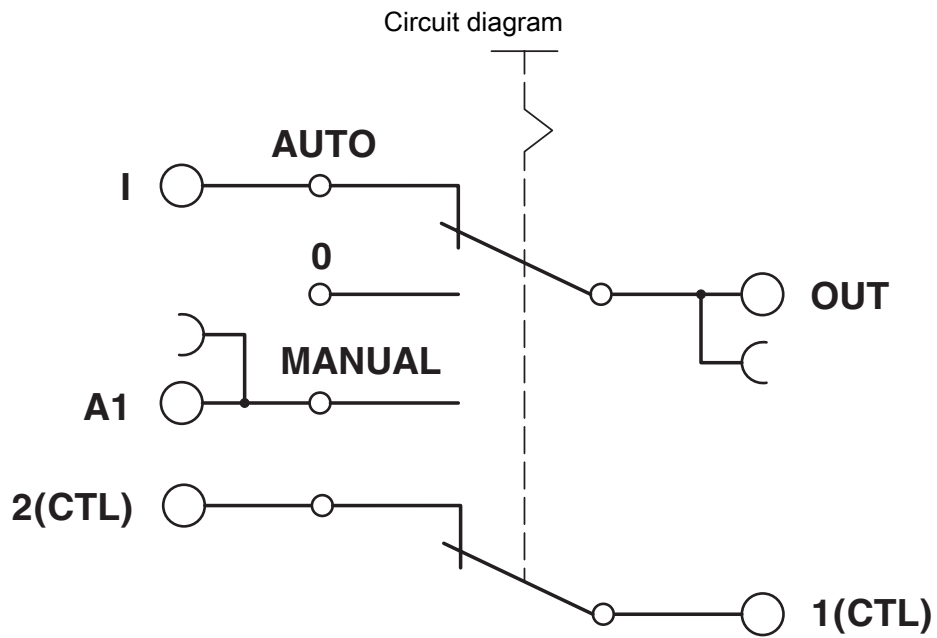
Application drawing



PLC-SC-S/H - Switch

2980733

<https://www.phoenixcontact.com/us/products/2980733>



PLC-SC-S/H - Switch



2980733

<https://www.phoenixcontact.com/us/products/2980733>

Approvals

To download certificates, visit the product detail page: <https://www.phoenixcontact.com/us/products/2980733>



cUL Recognized

Approval ID: E238705



UL Recognized

Approval ID: E238705



cULus Listed

Approval ID: E140324



cULus Listed

Approval ID: E140324

PLC-SC-S/H - Switch

2980733

<https://www.phoenixcontact.com/us/products/2980733>



Classifications

ECLASS

ECLASS-13.0	27371692
ECLASS-15.0	27371692

ETIM

ETIM 10.0	EC002586
-----------	----------

UNSPSC

UNSPSC 21.0	39122300
-------------	----------

PLC-SC-S/H - Switch



2980733

<https://www.phoenixcontact.com/us/products/2980733>

Environmental product compliance

EU RoHS

Fulfills EU RoHS substance requirements	Yes, No exemptions
---	--------------------

China RoHS

Environment friendly use period (EFUP)	EFUP-E
	No hazardous substances above the limits

EU REACH SVHC

REACH candidate substance (CAS No.)	No substance above 0.1 wt%
-------------------------------------	----------------------------

Phoenix Contact 2026 © - all rights reserved
<https://www.phoenixcontact.com>

Phoenix Contact USA
586 Fulling Mill Road
Middletown, PA 17057, United States
(+717) 944-1300
info@phoenixcon.com