

PLC-BSC-230UC/21-21/SO46 - Relay base



2980429

<https://www.phoenixcontact.com/us/products/2980429>

Please be informed that the data shown in this PDF document is generated from our online catalog. Please find the complete data in the user documentation. Our general terms of use for downloads are valid.



14 mm PLC basic terminal block with interference current and interference voltage protection on the control side, with screw connection, without relay or solid-state relay, for mounting on DIN rail NS 35/7,5, with integrated RCZ filter, 2 changeover contacts, input voltage 230 V AC

Your advantages

- High relay release voltage
- Resistant to interference currents

Commercial data

Item number	2980429
Packing unit	10 pc
Minimum order quantity	1 pc
Sales key	C461
Product key	DK623M
GTIN	4017918921231
Weight per piece (including packing)	62.6 g
Weight per piece (excluding packing)	56.91 g
Customs tariff number	85366990
Country of origin	DE

Technical data

Notes

Utilization restriction

EMC note	EMC: class A product, see manufacturer's declaration in the download area
----------	---

Product properties

Product type	Relay socket
Product family	PLC-INTERFACE
Application	Filter to prevent interference
Operating mode	100% operating factor

Insulation characteristics

Pollution degree	3
------------------	---

Electrical properties

Protective circuit	Bridge rectifier; Bridge rectifier
	RCZ filter; RCZ filter

Input data

Nominal input voltage U_N	230 V AC
	The nominal voltage of the plug-on electromechanical relay or solid-state relay (see necessary accessories) deviates from the nominal input voltage of the base with integrated upstream circuit
Input voltage range in reference to U_N	0.78 ... 1.14 (at 20 °C)
Typical input current at U_N	9 mA
Typical response time	7 ms
Typical release time	10 ms
Switching threshold "0" signal, voltage	typ. 70 V AC
Nominal input voltage U_N	230 V AC
	The nominal voltage of the plug-on electromechanical relay or solid-state relay (see necessary accessories) deviates from the nominal input voltage of the base with integrated upstream circuit

Relay assembly

Nominal input voltage U_N	230 V AC
Input voltage range in reference to U_N	0.78 ... 1.14
Typical input current at U_N	8.5 mA (50 Hz)
	10 mA (60 Hz)
Typical response time	7 ms
Typical release time	10 ms
Typical release voltage	70 V AC
Operating voltage display	Yellow LED
Protective circuit	Bridge rectifier; Bridge rectifier

PLC-BSC-230UC/21-21/SO46 - Relay base



2980429

<https://www.phoenixcontact.com/us/products/2980429>

	Filter; Filter
Optocoupler assembly	
Operating voltage display	Yellow LED
Protective circuit	Bridge rectifier; Bridge rectifier
	Filter; Filter

Connection data

Connection method	Screw connection
Stripping length	8 mm
Screw thread	M3
Conductor cross-section rigid	0.14 mm ² ... 2.5 mm ²
Conductor cross-section flexible	0.14 mm ² ... 2.5 mm ²
	0.2 mm ² ... 2.5 mm ² (Single ferrule)
	2x 0.5 mm ² ... 1.5 mm ² (TWIN ferrule)
Conductor cross-section AWG	26 ... 14
Tightening torque	0.6 Nm ... 0.8 Nm

Signaling

Status display	LED
----------------	-----

Dimensions

Item dimensions

Width	14 mm
Height	80 mm
Depth	94 mm

Material specifications

Color	gray (RAL 7042)
Flammability rating according to UL 94 (Housing)	V0 (Housing)

Environmental and real-life conditions

Ambient conditions

Ambient temperature (operation)	-40 °C ... 55 °C
Ambient temperature (storage/transport)	-40 °C ... 85 °C

Approvals

CE

Certificate	CE-compliant
-------------	--------------

UKCA

Certificate	UKCA-compliant
-------------	----------------

Shipbuilding approval

Certificate	TAE0000196
-------------	------------

PLC-BSC-230UC/21-21/SO46 - Relay base



2980429

<https://www.phoenixcontact.com/us/products/2980429>

Corrosive gas test

Identification	ISA-S71.04. G3 Harsh Group
	EN 60068-2-60

Shipbuilding data

Temperature	D
Humidity	A
Vibration	B/C
EMC	B
Enclosure	Required protection according to the Rules shall be provided upon installation on board

EMC data

Electromagnetic compatibility	Conformance with EMC directive
Low Voltage Directive	Conformance with Low Voltage Directive

Standards and regulations

Standards/regulations	IEC/EN 60664-1
-----------------------	----------------

Mounting

Mounting type	DIN rail mounting
Assembly note	in rows with zero spacing
Mounting position	any

Drawings

Application drawing



Occurrence of interference signals
Scenario 1: controller - AC output card

Application drawing



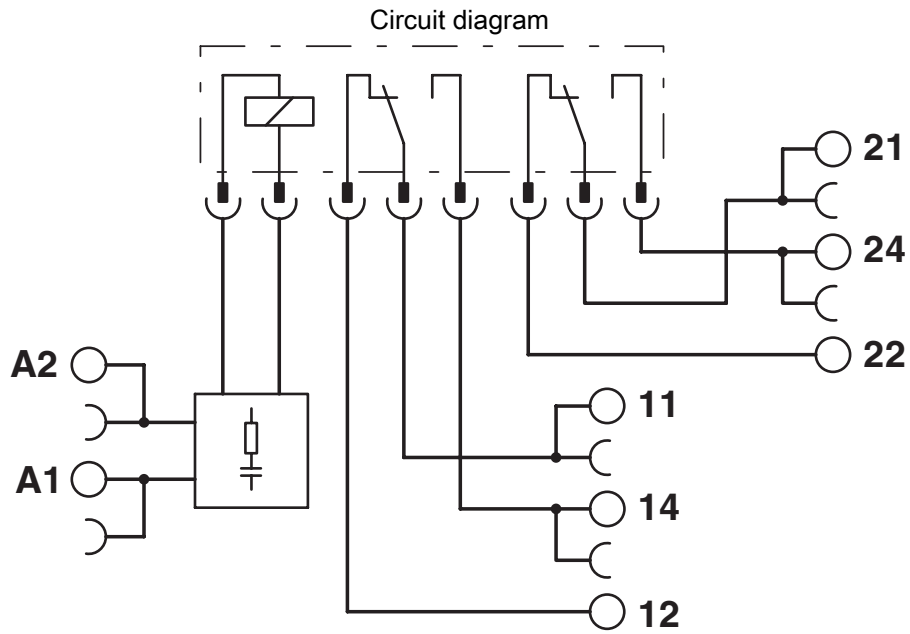
Occurrence of interference signals
Scenario 2: long signal cables

PLC-BSC-230UC/21-21/SO46 - Relay base



2980429

<https://www.phoenixcontact.com/us/products/2980429>



PLC-BSC-230UC/21-21/SO46 - Relay base



2980429

<https://www.phoenixcontact.com/us/products/2980429>

Approvals

To download certificates, visit the product detail page: <https://www.phoenixcontact.com/us/products/2980429>



cUL Recognized
Approval ID: E238705



UL Recognized
Approval ID: E238705



EAC
Approval ID: RU D-DE.B*00573/18

DNV

Approval ID: TAE0000196

PLC-BSC-230UC/21-21/SO46 - Relay base



2980429

<https://www.phoenixcontact.com/us/products/2980429>

Classifications

ECLASS

ECLASS-13.0	27371603
ECLASS-15.0	27371603

ETIM

ETIM 10.0	EC001456
-----------	----------

UNSPSC

UNSPSC 21.0	39122300
-------------	----------

2980429

<https://www.phoenixcontact.com/us/products/2980429>

Environmental product compliance

EU RoHS

Fulfills EU RoHS substance requirements	Yes
Exemption	7(a), 7(c)-I

China RoHS

Environment friendly use period (EFUP)	EFUP-50
	An article-related China RoHS declaration table can be found in the download area for the respective article under "Manufacturer declaration". For all articles with EFUP-E, no China RoHS declaration table issued and required.

EU REACH SVHC

REACH candidate substance (CAS No.)	Hexahydromethylphthalic anhydride(CAS: n/a)
	Lead(CAS: 7439-92-1)
SCIP	05b4bf5c-47c7-4dfa-8efa-694e35c787da

EF3.1 Climate Change

CO2e kg	1.021 kg CO2e
---------	---------------

Phoenix Contact 2026 © - all rights reserved
<https://www.phoenixcontact.com>

Phoenix Contact USA
 586 Fulling Mill Road
 Middletown, PA 17057, United States
 (+717) 944-1300
info@phoenixcon.com