

# PLC-BSP- 5DC/ 1/ACT - Relay base



2980254

<https://www.phoenixcontact.com/us/products/2980254>

Please be informed that the data shown in this PDF document is generated from our online catalog. Please find the complete data in the user documentation. Our general terms of use for downloads are valid.



6.2 mm PLC basic terminal block for output functions with spring-cage connection, without relay or solid-state relay, for mounting on DIN rail NS 35/7,5, with load return line connection (BB), 1 N/O contact, input voltage 5 V DC

## Commercial data

Item number	2980254
Packing unit	1 pc
Note	Made to order (non-returnable)
Sales key	C461
Product key	DK6221
GTIN	4017918876739
Weight per piece (including packing)	26.64 g
Weight per piece (excluding packing)	24.8 g
Customs tariff number	85366990
Country of origin	DE

# PLC-BSP- 5DC/ 1/ACT - Relay base



2980254

<https://www.phoenixcontact.com/us/products/2980254>

## Technical data

### Product properties

Product type	Relay socket
Product family	PLC-INTERFACE
Application	Output function
Set comprises	2980157 PLC-OSP- 5DC/ 24DC/ 2/ACT
Operating mode	100% operating factor
Compatible components	Miniature relay, REL-MR-4,5DC/21AU, REL-MR-4,5DC/21

### Electrical properties

Protective circuit	Damping diode, polarity protection diode
--------------------	--

### Input data

Nominal input voltage $U_N$	5 V DC
Protective circuit	Freewheeling diode
Nominal input voltage $U_N$	5 V DC

### Output data

Compatible components	Miniature relay, REL-MR-4,5DC/21AU, REL-MR-4,5DC/21
-----------------------	---

### Connection data

#### Input side

Connection method	Spring-cage connection
Stripping length	8 mm
Conductor cross-section rigid	0.14 mm <sup>2</sup> ... 2.5 mm <sup>2</sup>
Conductor cross-section flexible	0.14 mm <sup>2</sup> ... 2.5 mm <sup>2</sup>
Conductor cross-section AWG	26 ... 14

#### Output side

Connection method	Spring-cage connection
Stripping length	8 mm
Conductor cross-section rigid	0.14 mm <sup>2</sup> ... 2.5 mm <sup>2</sup>
Conductor cross-section flexible	0.14 mm <sup>2</sup> ... 2.5 mm <sup>2</sup>
Conductor cross-section AWG	26 ... 14

### Signaling

Status display	LED
----------------	-----

### Dimensions

Width	6.2 mm
Height	80 mm
Depth	94 mm

# PLC-BSP- 5DC/ 1/ACT - Relay base



2980254

<https://www.phoenixcontact.com/us/products/2980254>

## Material specifications

Color	green (RAL 6021)
Flammability rating according to UL 94 (Housing)	V0 (Housing)

## Environmental and real-life conditions

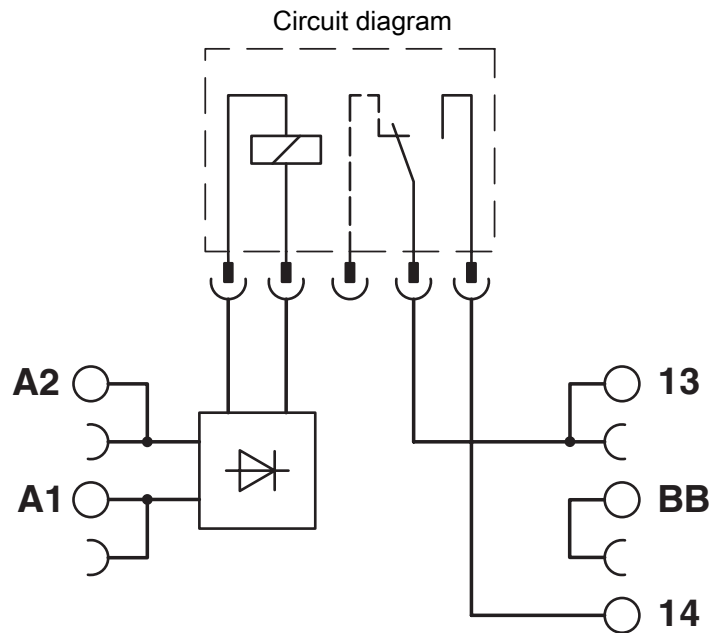
### Ambient conditions

Ambient temperature (operation)	-25 °C ... 60 °C
Ambient temperature (storage/transport)	-40 °C ... 85 °C

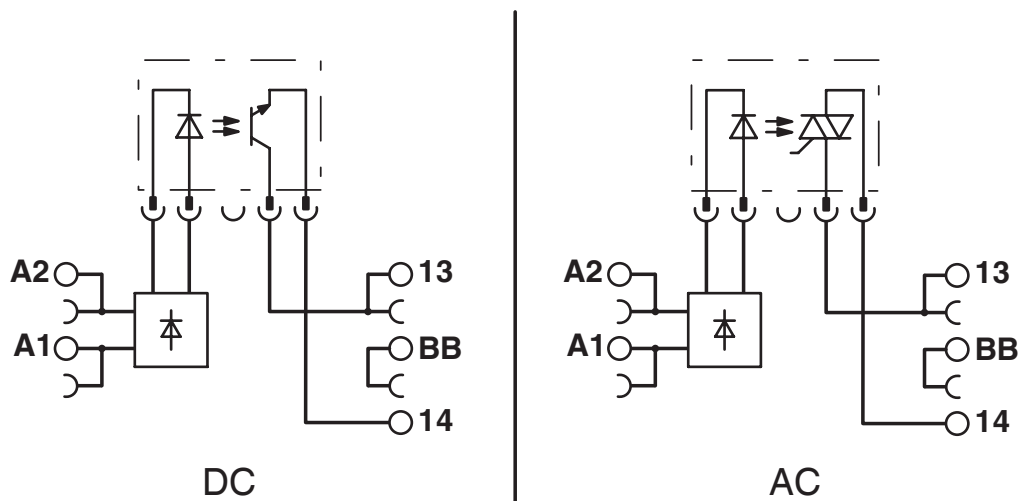
## Mounting

Mounting type	DIN rail mounting
Assembly note	in rows with zero spacing
Mounting position	any

Drawings



Circuit diagram



# PLC-BSP- 5DC/ 1/ACT - Relay base



2980254

<https://www.phoenixcontact.com/us/products/2980254>

## Environmental product compliance

### China RoHS

Environment friendly use period (EFUP)	EFUP-50
	An article-related China RoHS declaration table can be found in the download area for the respective article under "Manufacturer declaration". For all articles with EFUP-E, no China RoHS declaration table issued and required.

### EU REACH SVHC

REACH candidate substance (CAS No.)	No substance above 0.1 wt%
-------------------------------------	----------------------------

Phoenix Contact 2026 © - all rights reserved  
<https://www.phoenixcontact.com>

Phoenix Contact USA  
586 Fulling Mill Road  
Middletown, PA 17057, United States  
(+717) 944-1300  
[info@phoenixcon.com](mailto:info@phoenixcon.com)