

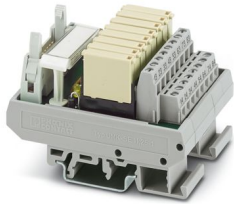
UMK- 8 RM/MR-G24/ 1/PLC - Active module



2979469

<https://www.phoenixcontact.com/us/products/2979469>

Please be informed that the data shown in this PDF document is generated from our online catalog. Please find the complete data in the user documentation. Our general terms of use for downloads are valid.



VARIOfACE output module, with 8 miniature relays, 1 N/O contact each, plugged, for 24 V DC (incl. relay)

Your advantages

- Narrow design width of just 55 mm (8 channels) or 202 mm (32 channels)
- LED status indicator per signal path and supply voltage
- Universal applications from 1 mA to 3 A continuous current thanks to 2-layer double contact with hard gold plating
- Freewheeling and polarity protection diode for each signal path
- Plug-in miniature relays each with an N/O contact

Commercial data

Item number	2979469
Packing unit	1 pc
Minimum order quantity	1 pc
Sales key	C421
Product key	DK2191
GTIN	4017918130374
Weight per piece (including packing)	147.6 g
Weight per piece (excluding packing)	117.18 g
Customs tariff number	85364190
Country of origin	DE

UMK- 8 RM/MR-G24/ 1/PLC - Active module



2979469

<https://www.phoenixcontact.com/us/products/2979469>

Technical data

Product properties

Product type	Interface module
No. of channels	8
Operating mode	100% operating factor
Mechanical service life	2x 10 ⁷ cycles

Insulation characteristics

Overvoltage category	III
Pollution degree	2

Electrical properties

Rated insulation voltage	260 V AC
Rated surge voltage	2.5 kV (Basic insulation between output contact current paths) 4 kV (Basic insulation between input circuit and output contact current paths)

Supported controller: SIEMENS S7-1500

Suitable I/O card	6ES7522-1BH00-0AB0
	6ES7522-1BH01-0AB0
	6ES7522-1BL00-0AB0
	6ES7522-1BL01-0AB0
	6ES7522-1BP00-0AA0

Supported controller: ABB S800 I/O

Suitable I/O card	DO810
	DO840

Supported controller: ALLEN-BRADLEY ControlLogix

Suitable I/O card	1756-OB32
	1756-OB16E

Supported controller: ALLEN-BRADLEY PLC 5

Suitable I/O card	1771 OBN
-------------------	----------

Supported controller: ALLEN-BRADLEY SLC 500

Suitable I/O card	1746 OB 32
-------------------	------------

Supported controller: EMERSON DeltaV

Suitable I/O card	VE4002S1T1B3
	VE4002S1T2B3
	VE4002S1T2B3 Series 2
	VE4002S1T2B6

Supported controller: GE-FANUC RX3i

Suitable I/O card	IC694MDL754
-------------------	-------------

UMK- 8 RM/MR-G24/ 1/PLC - Active module



2979469

<https://www.phoenixcontact.com/us/products/2979469>

Supported controller: HONEYWELL Experion PKS C200

Suitable I/O card	TC-ODD 321
-------------------	------------

Supported controller: MITSUBISHI MELSEC L

Suitable I/O card	LY41PT1P
	LY42PT1P

Supported controller: MITSUBISHI MELSEC Q

Suitable I/O card	QY81P
	QY82P

Supported controller: SIEMENS S7-300 / ET 200 M

Suitable I/O card	CPU 313C-2DP
	CPU 314C-2DP
	CPU 314C-2PtP
	6ES7322-1BH01-0AA0
	6ES7322-1BL00-0AA0
	6ES7323-1BH01-0AA0
	6ES7323-1BL00-0AA0
	CPU 313C
	CPU 313C-2PtP

Supported controller: SIEMENS S7-400

Suitable I/O card	6ES7422-1BL00-0AA0
	6ES7422-7BL00-0AB0

Input data

Nominal input voltage U_N	24 V DC
Input voltage range in reference to U_N	0.8 ... 1.1
Input voltage range	19.2 V DC ... 26.4 V DC
Typical input current at U_N	6.5 mA
Typical response time	5 ms
Typical release time	15 ms
Protective circuit	Freewheeling diode; Freewheeling diode
	Reverse polarity protection; Polarity protection diode
Operating voltage display	Green LED
Status display/channel	Yellow LED

Output data

Switching

Contact switching type	1 N/O contact
Type of switch contact	Double contact
Contact material	AgNi, 5 μ m hard gold-plated
Maximum switching voltage	250 V AC
	125 V DC

UMK- 8 RM/MR-G24/ 1/PLC - Active module



2979469

<https://www.phoenixcontact.com/us/products/2979469>

Minimum switching voltage	5 V
Limiting continuous current	3 A
Maximum inrush current	5 A
Min. switching current	1 mA
Interrupting rating (ohmic load) max.	72 W (24 V DC)
	60 W (48 V DC)
	50 W (60 V DC)
	50 W (110 V DC)
	750 VA (250 V AC)
Error detection (line break / short-circuit)	no

Connection data

Controller level

Connection method	IDC/FLK pin strip
Number of connections	1
Number of positions	14
Pitch	2.54 mm

Field level

Connection method	Screw connection
Stripping length	6 mm
Screw thread	M3
Number of connections	16
Conductor cross-section rigid	0.14 mm ² ... 1.5 mm ²
Conductor cross-section flexible	0.14 mm ² ... 1.5 mm ²
Conductor cross-section AWG	26 ... 14

Supply

Connection method	Screw connection
Stripping length	6 mm
Screw thread	M3
Number of connections	1
Number of positions	2
Conductor cross-section rigid	0.14 mm ² ... 1.5 mm ²
Conductor cross-section flexible	0.14 mm ² ... 1.5 mm ²
Conductor cross-section AWG	26 ... 14

Signaling

Status display present	yes
------------------------	-----

Dimensions

Width	56.5 mm
Height	77 mm
Depth	52.5 mm

UMK- 8 RM/MR-G24/ 1/PLC - Active module



2979469

<https://www.phoenixcontact.com/us/products/2979469>

Material specifications

Color	green (RAL 6021)
-------	------------------

Environmental and real-life conditions

Ambient conditions

Degree of protection	IP00
Ambient temperature (operation)	-20 °C ... 50 °C
Ambient temperature (storage/transport)	-20 °C ... 70 °C

Standards and regulations

Standards/regulations	EN 61010-2-201
	IEC 60664

Mounting

Mounting type	DIN rail mounting
Assembly note	in rows with zero spacing
Mounting position	any

Notes

Notes on operation	Observe the maximum switching power of the relays used
Notes on operation	Do not connect adjacent channels to SELV/ PELV and voltages dangerous to the touch.
Notes on operation	The outputs are not suitable for switching different line conductors. The sum of the switching voltages used for adjacent outputs must not exceed the rated insulation voltage value
Notes on operation	The necessary requirements for insulation (basic insulation or reinforced insulation) from adjacent modules (in DIN-rail direction) must be realized by applying suitable measures (e. g., partition plates).
Notes on operation	For proper use, the specifications of the installation directive (see Downloads) must be observed. For applications or use with third-party products, the specifications, and the safety and warning instructions of the respective third-party manufacturer must also be met.

UMK- 8 RM/MR-G24/ 1/PLC - Active module

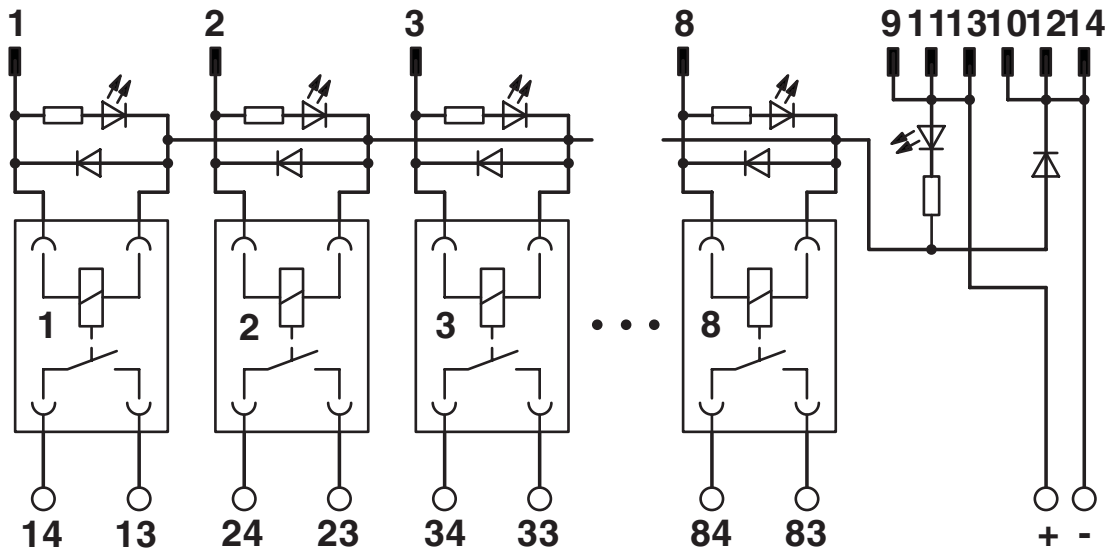


2979469

<https://www.phoenixcontact.com/us/products/2979469>

Drawings

Circuit diagram



UMK- 8 RM/MR-G24/ 1/PLC - Active module





2979469


<https://www.phoenixcontact.com/us/products/2979469>

Approvals

To download certificates, visit the product detail page: <https://www.phoenixcontact.com/us/products/2979469>

 cUL Recognized Approval ID: E238705				
	Nominal voltage U_N	Nominal current I_N	Cross section AWG	Cross section mm^2
keine				
	24 V	3 A	-	-

 UL Recognized Approval ID: E238705				
	Nominal voltage U_N	Nominal current I_N	Cross section AWG	Cross section mm^2
keine				
	24 V	3 A	-	-

 EAC Approval ID: RU*DE*08.B.01841/19	
--	--

UMK- 8 RM/MR-G24/ 1/PLC - Active module



2979469

<https://www.phoenixcontact.com/us/products/2979469>

Classifications

ECLASS

ECLASS-13.0	27141152
ECLASS-15.0	27141152

ETIM

ETIM 10.0	EC002780
-----------	----------

UNSPSC

UNSPSC 21.0	39121400
-------------	----------

2979469

<https://www.phoenixcontact.com/us/products/2979469>

Environmental product compliance

EU RoHS

Fulfills EU RoHS substance requirements	Yes
Exemption	7(a), 7(c)-I

China RoHS

Environment friendly use period (EFUP)	EFUP-50
	An article-related China RoHS declaration table can be found in the download area for the respective article under "Manufacturer declaration". For all articles with EFUP-E, no China RoHS declaration table issued and required.

EU REACH SVHC

REACH candidate substance (CAS No.)	Lead(CAS: 7439-92-1)
SCIP	ef1dc788-193a-4192-a701-dfaf45c75706

Phoenix Contact 2026 © - all rights reserved

<https://www.phoenixcontact.com>

Phoenix Contact USA
586 Fulling Mill Road
Middletown, PA 17057, United States
(+717) 944-1300
info@phoenixcon.com