

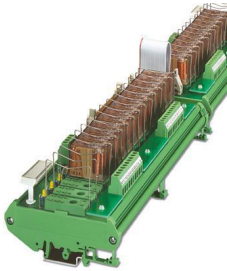
# UMK-16 RELS/KSR-DC/I/E/PLC - Active module



2976815

<https://www.phoenixcontact.com/us/products/2976815>

Please be informed that the data shown in this PDF document is generated from our online catalog. Please find the complete data in the user documentation. Our general terms of use for downloads are valid.



VARIOFACE input extension module, with plug-in sockets for 16 miniature switching relays or miniature optocouplers for 5 V to 220 V DC

The figure shows version UMK-16 RELS/KSR-DC/I/PLC (incl. relays)

## Commercial data

Item number	2976815
Packing unit	1 pc
Note	Made to order (non-returnable)
Sales key	C421
Product key	DK2191
GTIN	4017918089467
Weight per piece (including packing)	455.9 g
Weight per piece (excluding packing)	424 g
Customs tariff number	85364190
Country of origin	DE

## Technical data

### Notes

Notes on operation	For proper use, the specifications of the installation directive (see Downloads) must be observed. For applications or use with third-party products, the specifications, and the safety and warning instructions of the respective third-party manufacturer must also be met.
--------------------	--

### Product properties

Product type	Relay Module
No. of channels	16
Compatible components	Miniature switching relays or miniature optocouplers
With components	no

### Insulation characteristics

Overvoltage category	III
Pollution degree	2

### Input data

Nominal input voltage $U_N$	250 V DC (data is module-specific)
Protective circuit	Free running; Freewheeling diode Reverse polarity protection; Polarity protection diode
Operating voltage display	Green LED
Status display/channel	Yellow LED

### Output data

Compatible components	Miniature switching relays or miniature optocouplers
-----------------------	--

### Switching

Contact switching type	1 N/O contact
Maximum switching voltage	24 V DC (data is module-specific)
Limiting continuous current	1 A (data is module-specific)
Error detection (line break / short-circuit)	no

### Connection data

#### Input

Connection method	Screw connection
Stripping length	8 mm
Screw thread	M3
Number of connections	24
Number of positions	3
Conductor cross-section rigid	0.14 mm <sup>2</sup> ... 4 mm <sup>2</sup>
Conductor cross-section flexible	0.14 mm <sup>2</sup> ... 2.5 mm <sup>2</sup>
Conductor cross-section AWG	26 ... 12

# UMK-16 RELS/KSR-DC/I/E/PLC - Active module



2976815

<https://www.phoenixcontact.com/us/products/2976815>

## Output

Connection method	Flat-ribbon cable connector in acc. with IEC 60603-13
Number of connections	1
Number of positions	20

## Signaling

Status display present	yes
------------------------	-----

## Dimensions

Width	259 mm
Height	90 mm
Depth	68 mm

## Material specifications

Color	green (RAL 6021)
Housing insulation material	PVC, side panel PA non-reinforced,

## Environmental and real-life conditions

### Ambient conditions

Ambient temperature (operation)	-20 °C ... 50 °C
Ambient temperature (storage/transport)	-20 °C ... 70 °C

## Standards and regulations

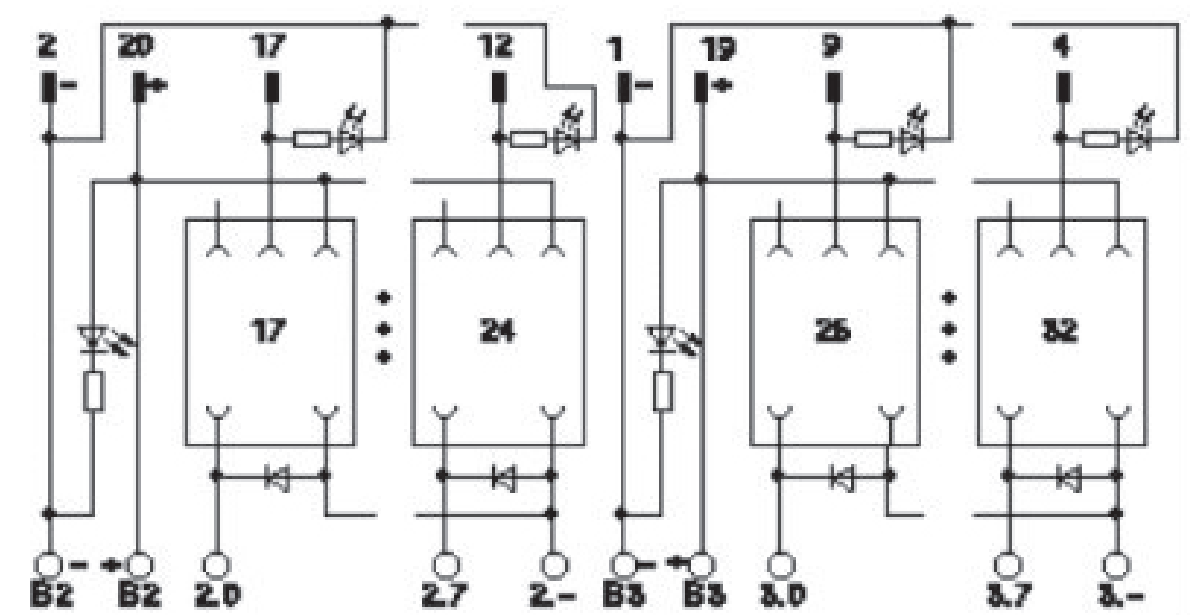
Standards/regulations	IEC 60664
	IEC 60664
	DIN VDE 0110
	DIN VDE 0160 (in parts)

## Mounting

Assembly note	in rows with zero spacing
Mounting position	any

Drawings

Circuit diagram



# UMK-16 RELS/KSR-DC/I/E/PLC - Active module



2976815

<https://www.phoenixcontact.com/us/products/2976815>

## Environmental product compliance

EU REACH SVHC

REACH candidate substance (CAS No.)	
-------------------------------------	--

	No substance above 0.1 wt%
--	----------------------------

Phoenix Contact 2026 © - all rights reserved

<https://www.phoenixcontact.com>

Phoenix Contact USA  
586 Fulling Mill Road  
Middletown, PA 17057, United States  
(+717) 944-1300  
[info@phoenixcon.com](mailto:info@phoenixcon.com)