

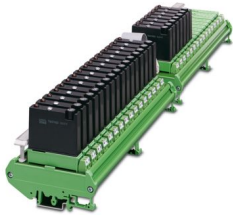
# UMK-16 OM/AMSC/PLC - Active module



2976721

<https://www.phoenixcontact.com/us/products/2976721>

Please be informed that the data shown in this PDF document is generated from our online catalog. Please find the complete data in the user documentation. Our general terms of use for downloads are valid.



VARIOFACE output module, for 16 channels, with plug-in sockets for generation 4 solid-state relays from OPTO 22

## Commercial data

Item number	2976721
Packing unit	1 pc
Note	Made to order (non-returnable)
Sales key	NULL
Product key	DK2191
GTIN	4017918089436
Weight per piece (including packing)	444.2 g
Weight per piece (excluding packing)	332.6 g
Customs tariff number	85369010
Country of origin	DE

## Technical data

### Product properties

Product type	Interface module
No. of channels	16
	32
Compatible components	Solid-state relay, Generation 4 from OPTO 22
With components	no

### Electrical properties

Supported controller: SIEMENS S7-400

Suitable I/O card	6ES7422-1BL00-0AA0
	6ES7422-7BL00-0AB0

Supported controller: ALLEN-BRADLEY ControlLogix

Suitable I/O card	1756-OB32
-------------------	-----------

Supported controller: ALLEN-BRADLEY PLC 5

Suitable I/O card	1771 OBN
-------------------	----------

Supported controller: HONEYWELL Experion PKS C200

Suitable I/O card	TC-ODD 321
-------------------	------------

Supported controller: MITSUBISHI MELSEC Q

Suitable I/O card	QY81P
-------------------	-------

Supported controller: SCHNEIDER ELECTRIC Modicon TSX QUANTUM

Suitable I/O card	DDO 353
-------------------	---------

Supported controller: SIEMENS S7-300 / ET 200 M

Suitable I/O card	6ES7322-1BL00-0AA0
-------------------	--------------------

Supported controller: GE-FANUC RX3i

Suitable I/O card	IC694MDL754
-------------------	-------------

### Input data

Nominal input voltage $U_N$	24 V DC
Input voltage range	30 V DC
Protective circuit	Reverse polarity protection
Operating voltage display	Green LED

### Output data

Compatible components	Solid-state relay, Generation 4 from OPTO 22
-----------------------	--

### Switching

Contact switching type	1 N/O contact
Maximum switching voltage	250 V AC/DC

# UMK-16 OM/AMSC/PLC - Active module



2976721

<https://www.phoenixcontact.com/us/products/2976721>

Limiting continuous current	6 A
Nominal supply voltage	250 V AC/DC (data is module-specific)
Continuous load current	6 A
Error detection (line break / short-circuit)	no

## Connection data

### Field level

Connection method	Screw connection
Stripping length	6 mm
Screw thread	M3
Number of connections	36
Number of positions	2
Conductor cross-section rigid	0.14 mm <sup>2</sup> ... 1.5 mm <sup>2</sup>
Conductor cross-section flexible	0.14 mm <sup>2</sup> ... 1.5 mm <sup>2</sup>
Conductor cross-section AWG	26 ... 14

### Controller level

Connection method	IDC/FLK pin strip
Number of connections	2
Number of positions	50
Pitch	2.54 mm

## Signaling

Status display present	no
------------------------	----

## Dimensions

Width	259 mm
Height	90 mm
Depth	87 mm

## Material specifications

Color	green (RAL 6021)
Housing insulation material	PVC, side panel PA non-reinforced,

## Environmental and real-life conditions

### Ambient conditions

Ambient temperature (operation)	-20 °C ... 50 °C
Ambient temperature (storage/transport)	-20 °C ... 70 °C

## Standards and regulations

Standards/regulations	IEC 60664
	DIN EN 50178

## Mounting

# UMK-16 OM/AMSC/PLC - Active module



2976721

<https://www.phoenixcontact.com/us/products/2976721>

Mounting position	any
-------------------	-----

## Notes

Notes on operation	For proper use, the specifications of the installation directive (see Downloads) must be observed. For applications or use with third-party products, the specifications, and the safety and warning instructions of the respective third-party manufacturer must also be met.
--------------------	--

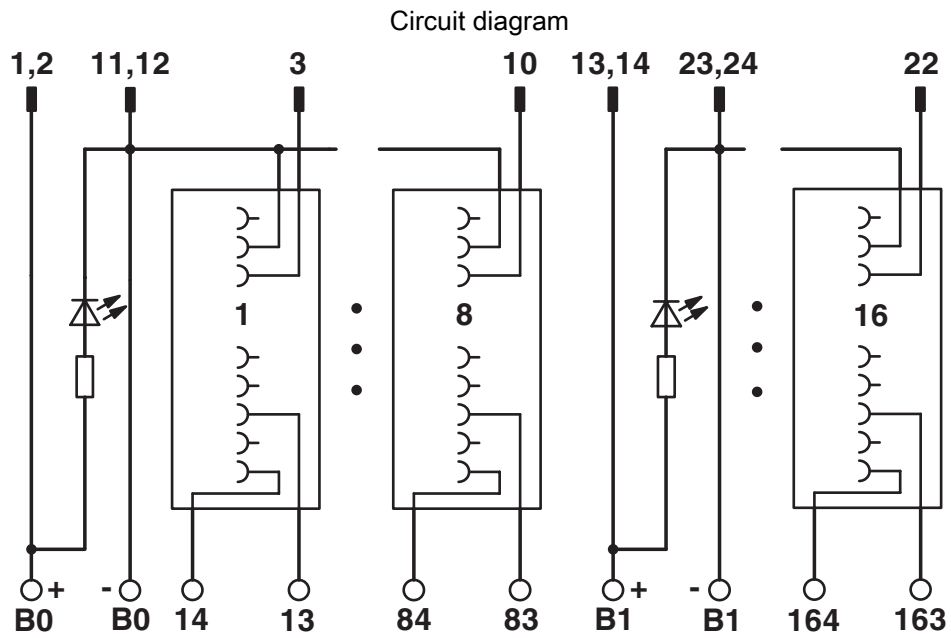
# UMK-16 OM/AMSC/PLC - Active module



2976721

<https://www.phoenixcontact.com/us/products/2976721>

## Drawings



# UMK-16 OM/AMSC/PLC - Active module



2976721

<https://www.phoenixcontact.com/us/products/2976721>

## Environmental product compliance

EU REACH SVHC

REACH candidate substance (CAS No.)	No substance above 0.1 wt%
-------------------------------------	----------------------------

Phoenix Contact 2026 © - all rights reserved

<https://www.phoenixcontact.com>

Phoenix Contact USA  
586 Fulling Mill Road  
Middletown, PA 17057, United States  
(+717) 944-1300  
[info@phoenixcon.com](mailto:info@phoenixcon.com)