

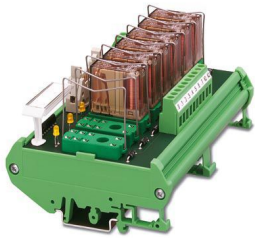
UMK- 8 RELS/KSR-DC/I/PLC - Active module



2976491

<https://www.phoenixcontact.com/us/products/2976491>

Please be informed that the data shown in this PDF document is generated from our online catalog. Please find the complete data in the user documentation. Our general terms of use for downloads are valid.



VARIOFACE input module, with plug-in sockets for 8 miniature switching relays or miniature optocouplers, for 5 to 230 V DC

Commercial data

Item number	2976491
Packing unit	1 pc
Note	Made to order (non-returnable)
Sales key	C421
Product key	DK2191
GTIN	4017918089351
Weight per piece (including packing)	215.4 g
Weight per piece (excluding packing)	21.62 g
Customs tariff number	85364190
Country of origin	DE

UMK- 8 RELS/KSR-DC//PLC - Active module



2976491

<https://www.phoenixcontact.com/us/products/2976491>

Technical data

Notes

Order information:	The connection cable between the base and the extension modules is delivered with the extension unit.
Notes on operation	For proper use, the specifications of the installation directive (see Downloads) must be observed. For applications or use with third-party products, the specifications, and the safety and warning instructions of the respective third-party manufacturer must also be met.

Product properties

Product type	Relay Module
No. of channels	8
Compatible components	Miniature switching relays or miniature optocouplers
With components	no

Electrical properties

Supported controller: SIEMENS S7-400

Suitable I/O card	6ES7421-1BL01-0AA0
-------------------	--------------------

Supported controller: GE-FANUC 90-30

Suitable I/O card	IC693 MDL241
	IC693 MDL634
	IC693 MDL645
	IC693 MDL646

Supported controller: ALLEN-BRADLEY ControlLogix

Suitable I/O card	1756-IB32
	1756-IB16

Supported controller: ALLEN-BRADLEY PLC 5

Suitable I/O card	1771 IBN
-------------------	----------

Supported controller: ALLEN-BRADLEY SLC 500

Suitable I/O card	1746 IB16
	1746 ITB16
	1746 IN16
	1746 IB 32

Supported controller: HONEYWELL Experion PKS C200

Suitable I/O card	TC-IDD 321
-------------------	------------

Supported controller: MITSUBISHI MELSEC Q

Suitable I/O card	QX81
-------------------	------

Supported controller: SIEMENS S7-300 / ET 200 M

	CPU 313C-2DP
--	--------------

UMK- 8 RELS/KSR-DC/I/PLC - Active module



2976491

<https://www.phoenixcontact.com/us/products/2976491>

Suitable I/O card	CPU 314C-2DP
	CPU 314C-2PtP
	6ES7321-1BH02-0AA0
	6ES7321-1BL00-0AA0
	6ES7323-1BH01-0AA0
	6ES7323-1BL00-0AA0
	6ES7321-1BH10-0AA0
	6ES7322-1BH10-0AA0
	CPU 313C
	CPU 313C-2PtP

Input data

Nominal input voltage U_N	250 V DC (data is module-specific)
Protective circuit	Reverse polarity protection; Rectifier / LED
Operating voltage display	Green LED
Status display/channel	Yellow LED

Output data

Compatible components	Miniature switching relays or miniature optocouplers
-----------------------	--

Switching

Contact switching type	1 N/O contact
Maximum switching voltage	24 V DC (data is module-specific)
Limiting continuous current	1 A (data is module-specific)
Error detection (line break / short-circuit)	no

Connection data

Input

Connection method	Flat-ribbon cable connector in acc. with IEC 60603-13
Number of connections	1
Number of positions	14

Output

Connection method	Screw connection
Stripping length	8 mm
Screw thread	M3
Number of connections	12
Number of positions	3
Conductor cross-section rigid	0.14 mm ² ... 4 mm ²
Conductor cross-section flexible	0.14 mm ² ... 2.5 mm ²
Conductor cross-section AWG	26 ... 12

Signaling

Status display present	yes
------------------------	-----

UMK- 8 RELS/KSR-DC//PLC - Active module



2976491

<https://www.phoenixcontact.com/us/products/2976491>

Dimensions

Width	135 mm
Height	90 mm
Depth	68 mm

Material specifications

Color	green (RAL 6021)
Housing insulation material	PVC, side panel PA non-reinforced,

Environmental and real-life conditions

Ambient conditions

Ambient temperature (operation)	-20 °C ... 50 °C
Ambient temperature (storage/transport)	-20 °C ... 70 °C

Standards and regulations

Standards/regulations	IEC 60664
	IEC 60664
	DIN VDE 0110
	DIN VDE 0160 (in parts)

Mounting

Assembly note	in rows with zero spacing
Mounting position	any

UMK- 8 RELS/KSR-DC//PLC - Active module

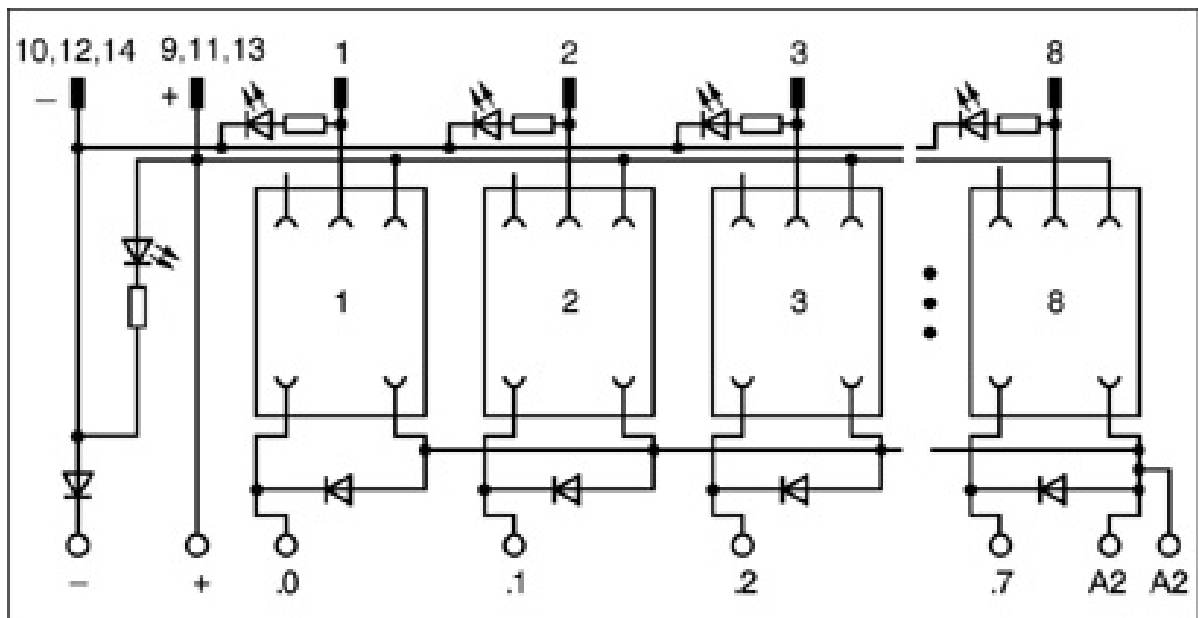


2976491

<https://www.phoenixcontact.com/us/products/2976491>

Drawings

Circuit diagram



UMK- 8 RELS/KSR-DC//PLC - Active module



2976491

<https://www.phoenixcontact.com/us/products/2976491>

Environmental product compliance

EU REACH SVHC

REACH candidate substance (CAS No.)	No substance above 0.1 wt%
-------------------------------------	----------------------------

Phoenix Contact 2026 © - all rights reserved

<https://www.phoenixcontact.com>

Phoenix Contact USA
586 Fulling Mill Road
Middletown, PA 17057, United States
(+717) 944-1300
info@phoenixcon.com