

UMK- 8 OM/AMSC/PLC - Active module



2976420

<https://www.phoenixcontact.com/us/products/2976420>

Please be informed that the data shown in this PDF document is generated from our online catalog. Please find the complete data in the user documentation. Our general terms of use for downloads are valid.



VARIOFACE output module, for 8 channels, with plug-in sockets for Generation 4 solid-state relays from OPTO 22

Commercial data

Item number	2976420
Packing unit	1 pc
Note	Made to order (non-returnable)
Sales key	C421
Product key	DK2191
GTIN	4017918089337
Weight per piece (including packing)	230.3 g
Weight per piece (excluding packing)	214.8 g
Customs tariff number	85364190
Country of origin	DE

UMK- 8 OM/AMSC/PLC - Active module



2976420

<https://www.phoenixcontact.com/us/products/2976420>

Technical data

Product properties

Product type	Interface module
No. of channels	8
Compatible components	Solid-state relay, Generation 4 from OPTO 22
With components	no

Insulation characteristics

Insulation	Functional insulation
------------	-----------------------

Electrical properties

Rated surge voltage	1.2 kV
---------------------	--------

Supported controller: SIEMENS S7-400

Suitable I/O card	6ES7422-1BL00-0AA0
	6ES7422-7BL00-0AB0

Supported controller: GE-FANUC 90-30

Suitable I/O card	IC693 MDL732
	IC693 MDL740
	IC693 MDL742

Supported controller: ALLEN-BRADLEY ControlLogix

Suitable I/O card	1756-OB32
	1756-OB16E

Supported controller: ALLEN-BRADLEY PLC 5

Suitable I/O card	1771 OBN
-------------------	----------

Supported controller: ALLEN-BRADLEY SLC 500

Suitable I/O card	1746 OB16
	1746 OB 32

Supported controller: HONEYWELL Experion PKS C200

Suitable I/O card	TC-ODD 321
-------------------	------------

Supported controller: MITSUBISHI MELSEC Q

Suitable I/O card	QY81P
-------------------	-------

Supported controller: SIEMENS S7-300 / ET 200 M

Suitable I/O card	CPU 313C-2DP
	CPU 314C-2DP
	CPU 314C-2PiP
	6ES7322-1BH01-0AA0
	6ES7322-1BL00-0AA0
	6ES7323-1BH01-0AA0

UMK- 8 OM/AMSC/PLC - Active module



2976420

<https://www.phoenixcontact.com/us/products/2976420>

	6ES7323-1BL00-0AA0
	CPU 313C
	CPU 313C-2PtP

Supported controller: ABB S800 I/O

Suitable I/O card	DO810
	DO840

Supported controller: GE-FANUC RX3i

Suitable I/O card	IC694MDL754
-------------------	-------------

Input data

Nominal input voltage U_N	24 V DC
Protective circuit	Reverse polarity protection; Polarity protection diode
Operating voltage display	Green LED

Output data

Compatible components	Solid-state relay, Generation 4 from OPTO 22
-----------------------	--

Switching

Contact switching type	1 N/O contact
Maximum switching voltage	250 V AC/DC
Limiting continuous current	6 A
Nominal supply voltage	250 V AC/DC (data is module-specific)
Continuous load current	6 A
Error detection (line break / short-circuit)	no

Connection data

Field level

Connection method	Screw connection
Stripping length	6 mm
Screw thread	M3
Number of connections	18
Number of positions	2
Conductor cross-section rigid	0.14 mm ² ... 1.5 mm ²
Conductor cross-section flexible	0.14 mm ² ... 1.5 mm ²
Conductor cross-section AWG	26 ... 14

Controller level

Connection method	IDC/FLK pin strip
Number of connections	1
Number of positions	14
Pitch	2.54 mm

Signaling

Status display present	yes
------------------------	-----

UMK- 8 OM/AMSC/PLC - Active module



2976420

<https://www.phoenixcontact.com/us/products/2976420>

Dimensions

Width	123.5 mm
Height	90 mm
Depth	87 mm

Material specifications

Color	green (RAL 6021)
Housing insulation material	PVC, side panel PA non-reinforced,

Environmental and real-life conditions

Ambient conditions

Ambient temperature (operation)	-20 °C ... 50 °C
Ambient temperature (storage/transport)	-20 °C ... 70 °C

Standards and regulations

Standards/regulations	IEC 60664
	DIN EN 50178

Mounting

Mounting type	DIN rail mounting
Mounting position	any

Notes

Notes on operation	For proper use, the specifications of the installation directive (see Downloads) must be observed. For applications or use with third-party products, the specifications, and the safety and warning instructions of the respective third-party manufacturer must also be met.
--------------------	--

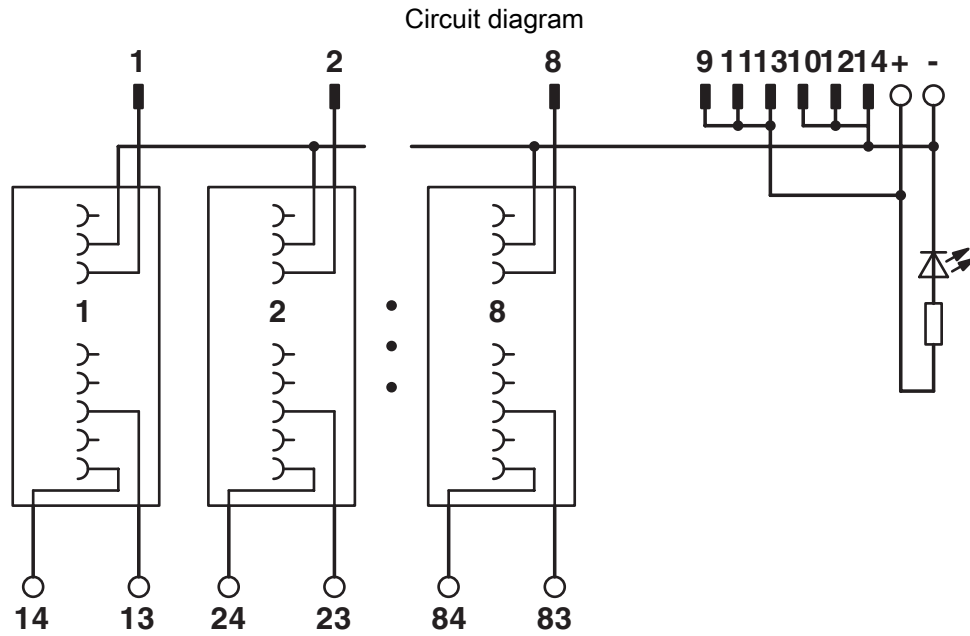
UMK- 8 OM/AMSC/PLC - Active module



2976420

<https://www.phoenixcontact.com/us/products/2976420>

Drawings



UMK- 8 OM/AMSC/PLC - Active module



2976420

<https://www.phoenixcontact.com/us/products/2976420>

Environmental product compliance

China RoHS

Environment friendly use period (EFUP)	EFUP-50
	An article-related China RoHS declaration table can be found in the download area for the respective article under "Manufacturer declaration". For all articles with EFUP-E, no China RoHS declaration table issued and required.

EU REACH SVHC

REACH candidate substance (CAS No.)	No substance above 0.1 wt%
-------------------------------------	----------------------------

Phoenix Contact 2026 © - all rights reserved
<https://www.phoenixcontact.com>

Phoenix Contact USA
586 Fulling Mill Road
Middletown, PA 17057, United States
(+717) 944-1300
info@phoenixcon.com