

UMK-BE 11,25 BK - Electronics housing



2976394

<https://www.phoenixcontact.com/us/products/2976394>

Please be informed that the data shown in this PDF document is generated from our online catalog. Please find the complete data in the user documentation. Our general terms of use for downloads are valid.



Electronic board base, plug-in module base element

The figure shows a combination of versions UMK SE 11,25, UMK BE 11,25,- 22,5, - 45 and UMK-FE, in green

Commercial data

Item number	2976394
Packing unit	10 pc
Minimum order quantity	10 pc
Note	Made to order (non-returnable)
Sales key	AC13
Product key	ACHDCA
GTIN	4017918281199
Weight per piece (including packing)	4.42 g
Weight per piece (excluding packing)	4.42 g
Customs tariff number	85369085
Country of origin	PL

UMK-BE 11,25 BK - Electronics housing

2976394

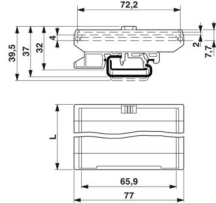
<https://www.phoenixcontact.com/us/products/2976394>

Technical data

Product properties

Housing type	Panel mounting base
Type	Module width 11.25 mm, since the housing can remain open at the top, it is possible for parts to protrude above the actual profile height
Number of positions	999

Dimensions

Dimensional drawing	
Width	33.75 mm
Height NS 35/7,5	165 mm
Depth	77 mm
Length	77 mm

Material specifications

Color	black (RAL 9005)
Material Housing	PA
Flammability rating according to UL 94	V2

Environmental and real-life conditions

Ambient conditions

Ambient temperature (operation)	-40 °C ... 105 °C
---------------------------------	-------------------

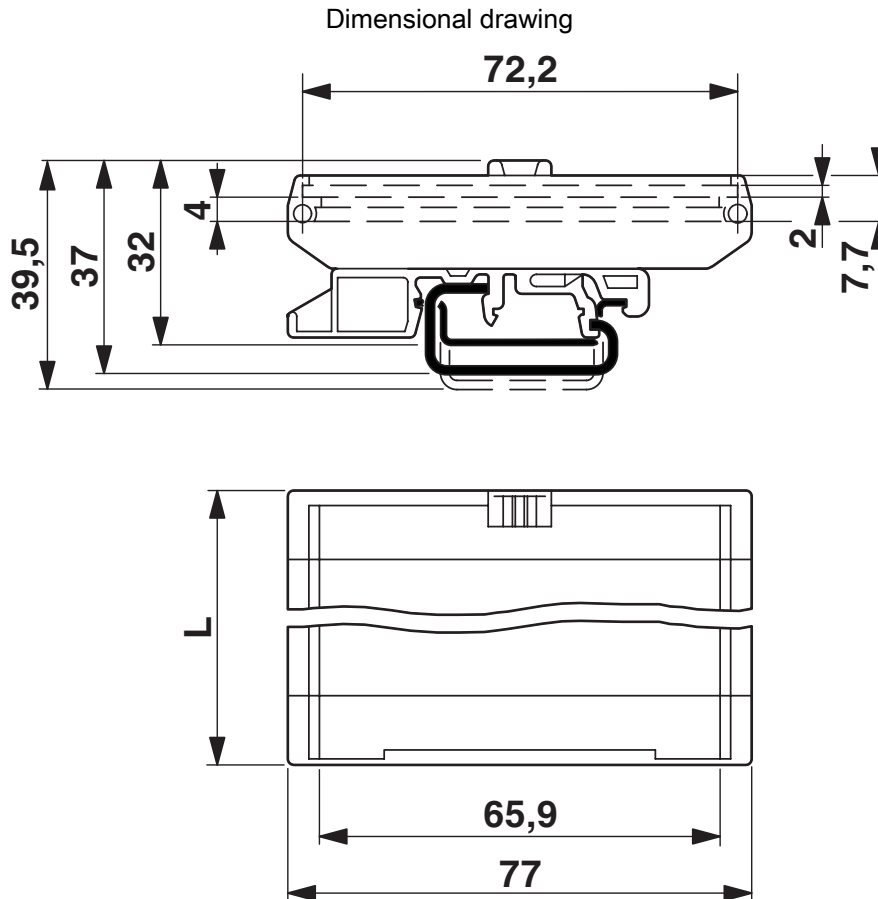
UMK-BE 11,25 BK - Electronics housing



2976394

<https://www.phoenixcontact.com/us/products/2976394>

Drawings



UMK-BE 11,25 BK - Electronics housing



2976394

<https://www.phoenixcontact.com/us/products/2976394>

Environmental product compliance

EU REACH SVHC

REACH candidate substance (CAS No.)	No substance above 0.1 wt%
-------------------------------------	----------------------------

Phoenix Contact 2026 © - all rights reserved

<https://www.phoenixcontact.com>

Phoenix Contact USA
586 Fulling Mill Road
Middletown, PA 17057, United States
(+717) 944-1300
info@phoenixcon.com