

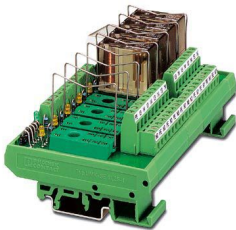
UMK- 8 RELS/KSR-G24/1/N/PE - Active module



2976174

<https://www.phoenixcontact.com/us/products/2976174>

Please be informed that the data shown in this PDF document is generated from our online catalog. Please find the complete data in the user documentation. Our general terms of use for downloads are valid.



VARIOFACE output module, with plug-in sockets for 8 miniature switching relays, with light indicator and additional N and PE connection terminal blocks

The figure shows a version for 8 pluggable miniature switching relays or miniature optocouplers

Commercial data

Item number	2976174
Packing unit	1 pc
Note	Made to order (non-returnable)
Sales key	NULL
Product key	DK2191
GTIN	4017918104252
Weight per piece (including packing)	238.7 g
Weight per piece (excluding packing)	2.38 g
Customs tariff number	85364190
Country of origin	DE

Technical data

Notes

Notes on operation	For proper use, the specifications of the installation directive (see Downloads) must be observed. For applications or use with third-party products, the specifications, and the safety and warning instructions of the respective third-party manufacturer must also be met.
--------------------	--

Product properties

Product type	Multi-channel relay module
No. of channels	8
Compatible components	Miniature switching relays or miniature optocouplers
With components	no

Insulation characteristics

Overvoltage category	III
Pollution degree	2

Input data

Nominal input voltage U_N	24 V DC
Input voltage range in reference to U_N	0.8 ... 1.1
Input voltage range	19.2 V DC ... 26.4 V DC
Protective circuit	Freewheeling diode; Freewheeling diode Reverse polarity protection; Polarity protection diode
Operating voltage display	Green LED
Status display/channel	Yellow LED

Output data

Compatible components	Miniature switching relays or miniature optocouplers
-----------------------	--

Switching

Contact switching type	1 changeover contact
Maximum switching voltage	250 V AC/DC
Limiting continuous current	5 A
Maximum total current (N)	7 A
Error detection (line break / short-circuit)	no

Connection data

Input

Connection method	Screw connection
Stripping length	6 mm
Screw thread	M3
Number of connections	1
Number of positions	12

UMK- 8 RELS/KSR-G24/1/N/PE - Active module



2976174

<https://www.phoenixcontact.com/us/products/2976174>

Conductor cross-section rigid	0.14 mm ² ... 1.5 mm ²
Conductor cross-section flexible	0.14 mm ² ... 1.5 mm ²
Conductor cross-section AWG	26 ... 14

Output

Connection method	Screw connection
Stripping length	6 mm
Screw thread	M3
Number of connections	36
Number of positions	6
Conductor cross-section rigid	0.14 mm ² ... 1.5 mm ²
Conductor cross-section flexible	0.14 mm ² ... 1.5 mm ²
Conductor cross-section AWG	26 ... 14

Signaling

Status display present	yes
------------------------	-----

Dimensions

Width	135 mm
Height	77 mm
Depth	59 mm

Material specifications

Color	green (RAL 6021)
Housing insulation material	PVC, side panel PA non-reinforced,

Environmental and real-life conditions

Ambient conditions

Ambient temperature (operation)	-20 °C ... 50 °C
Ambient temperature (storage/transport)	-20 °C ... 70 °C

Standards and regulations

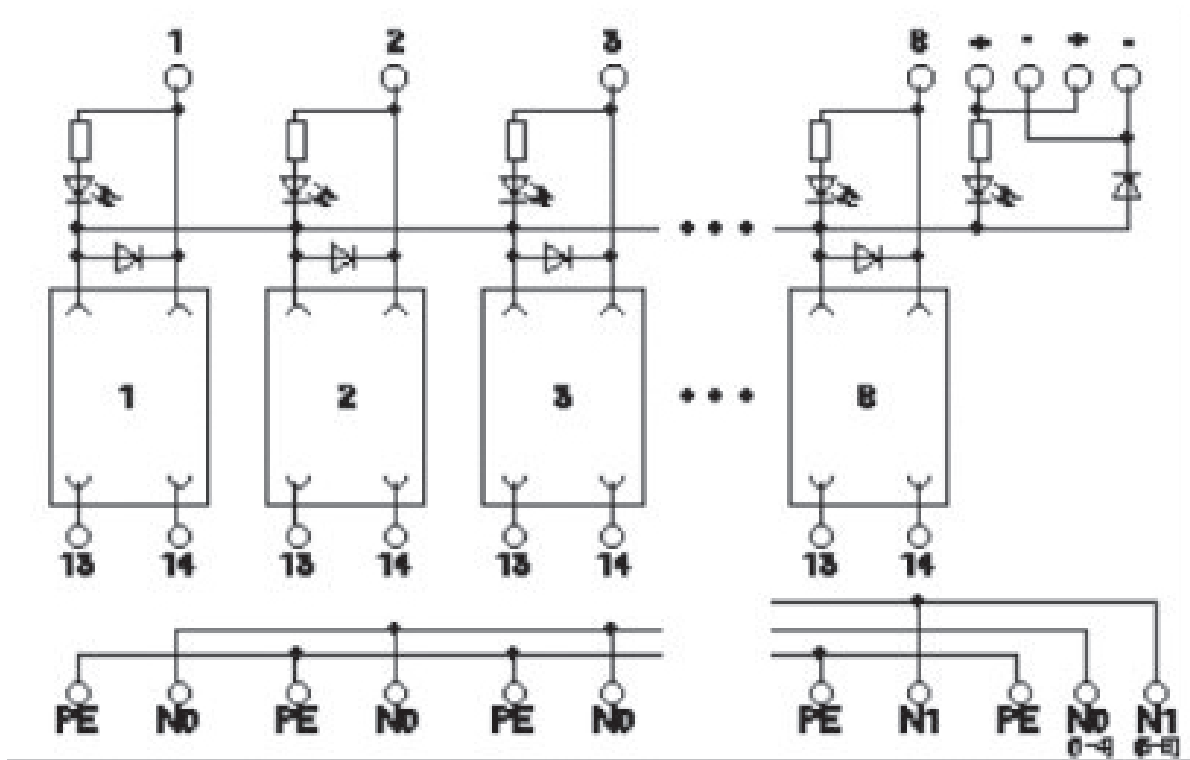
Standards/regulations	DIN VDE 0110
-----------------------	--------------

Mounting

Mounting position	any
-------------------	-----

Drawings

Circuit diagram



UMK- 8 RELS/KSR-G24/1/N/PE - Active module



2976174

<https://www.phoenixcontact.com/us/products/2976174>

Environmental product compliance

EU REACH SVHC

REACH candidate substance (CAS No.)	No substance above 0.1 wt%
-------------------------------------	----------------------------

Phoenix Contact 2026 © - all rights reserved

<https://www.phoenixcontact.com>

Phoenix Contact USA
586 Fulling Mill Road
Middletown, PA 17057, United States
(+717) 944-1300
info@phoenixcon.com