

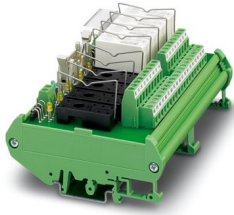
# UMK- 8 RELS/KSR-G24/1/NPE/PLC - Active module



2976116

<https://www.phoenixcontact.com/us/products/2976116>

Please be informed that the data shown in this PDF document is generated from our online catalog. Please find the complete data in the user documentation. Our general terms of use for downloads are valid.



VARIOFACE output module, with plug-in bases for 8 miniature relays, 1 changeover contact each, for 24 V DC (without relays), with additional N and PE connection terminal blocks

## Commercial data

Item number	2976116
Packing unit	1 pc
Note	Made to order (non-returnable)
Sales key	NULL
Product key	DK2191
GTIN	4017918089214
Weight per piece (including packing)	236.5 g
Weight per piece (excluding packing)	185.58 g
Customs tariff number	85364190
Country of origin	DE

2976116

<https://www.phoenixcontact.com/us/products/2976116>

## Technical data

### Product properties

Product type	Interface module
No. of channels	8
Compatible components	Miniature relay, REL-MR- 24DC/21HC
With components	no

### Insulation characteristics

Overvoltage category	III
Pollution degree	2

### Electrical properties

Supported controller: SIEMENS S7-400

Suitable I/O card	6ES7422-1BL00-0AA0
	6ES7422-7BL00-0AB0

Supported controller: GE-FANUC 90-30

Suitable I/O card	IC693 MDL732
	IC693 MDL740
	IC693 MDL742

Supported controller: ALLEN-BRADLEY ControlLogix

Suitable I/O card	1756-OB32
	1756-OB16E

Supported controller: ALLEN-BRADLEY PLC 5

Suitable I/O card	1771 OBN
-------------------	----------

Supported controller: ALLEN-BRADLEY SLC 500

Suitable I/O card	1746 OB16
	1746 OB 32

Supported controller: HONEYWELL Experion PKS C200

Suitable I/O card	TC-ODD 321
-------------------	------------

Supported controller: MITSUBISHI MELSEC Q

Suitable I/O card	QY81P
-------------------	-------

Supported controller: SIEMENS S7-300 / ET 200 M

Suitable I/O card	CPU 313C-2DP
	CPU 314C-2DP
	CPU 314C-2PiP
	6ES7322-1BH01-0AA0
	6ES7322-1BL00-0AA0
	6ES7323-1BH01-0AA0

# UMK- 8 RELS/KSR-G24/1/NPE/PLC - Active module



2976116

<https://www.phoenixcontact.com/us/products/2976116>

	6ES7323-1BL00-0AA0
	CPU 313C
	CPU 313C-2PtP

Supported controller: GE-FANUC RX3i

Suitable I/O card	IC694MDL754
-------------------	-------------

## Input data

Nominal input voltage $U_N$	24 V DC
Input voltage range in reference to $U_N$	0.8 ... 1.1
Input voltage range	19.2 V DC ... 26.4 V DC
Typical input current at $U_N$	2 mA (LED display)
Protective circuit	Freewheeling diode; Freewheeling diode Reverse polarity protection; Polarity protection diode
Operating voltage display	Green LED
Status display/channel	Yellow LED

## Output data

Compatible components	Miniature relay, REL-MR- 24DC/21HC
-----------------------	------------------------------------

## Switching

Contact switching type	Single contact, 1 N/O contact
Maximum switching voltage	250 V AC/DC
Limiting continuous current	5 A
Maximum total current (N)	7 A
Error detection (line break / short-circuit)	no

## Connection data

### Contact side

Connection method	Screw connection
Stripping length	6 mm
Screw thread	M3
Number of connections	36
Number of positions	6
Conductor cross-section rigid	0.14 mm <sup>2</sup> ... 1.5 mm <sup>2</sup>
Conductor cross-section flexible	0.14 mm <sup>2</sup> ... 1.5 mm <sup>2</sup>
Conductor cross-section AWG	26 ... 14

### Coil side

Connection method	Flat-ribbon cable connector in acc. with IEC 60603-13
Number of connections	1
Number of positions	14

## Signaling

Status display present	yes
------------------------	-----

2976116

<https://www.phoenixcontact.com/us/products/2976116>

## Dimensions

Width	135 mm
Height	90 mm
Depth	68 mm

## Material specifications

Color	green (RAL 6021)
Housing insulation material	PVC, side panel PA non-reinforced,

## Environmental and real-life conditions

### Ambient conditions

Ambient temperature (operation)	-20 °C ... 50 °C
Ambient temperature (storage/transport)	-20 °C ... 70 °C

## Standards and regulations

Standards/regulations	IEC 60664
	DIN EN 50178

## Mounting

Assembly note	in rows with zero spacing
Mounting position	any

## Notes

Notes on operation	For proper use, the specifications of the installation directive (see Downloads) must be observed. For applications or use with third-party products, the specifications, and the safety and warning instructions of the respective third-party manufacturer must also be met.
--------------------	--

# UMK- 8 RELS/KSR-G24/1/NPE/PLC - Active module

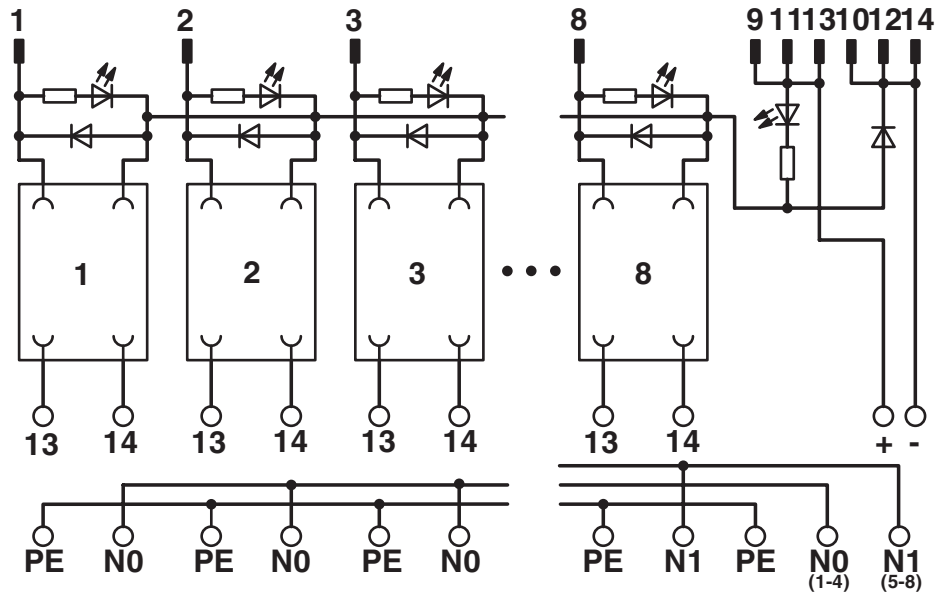


2976116

<https://www.phoenixcontact.com/us/products/2976116>

## Drawings

Circuit diagram



# UMK- 8 RELS/KSR-G24/1/NPE/PLC - Active module



2976116

<https://www.phoenixcontact.com/us/products/2976116>

## Environmental product compliance

EU REACH SVHC

REACH candidate substance (CAS No.)	
-------------------------------------	--

	No substance above 0.1 wt%
--	----------------------------

Phoenix Contact 2026 © - all rights reserved

<https://www.phoenixcontact.com>

Phoenix Contact USA  
586 Fulling Mill Road  
Middletown, PA 17057, United States  
(+717) 944-1300  
[info@phoenixcon.com](mailto:info@phoenixcon.com)