

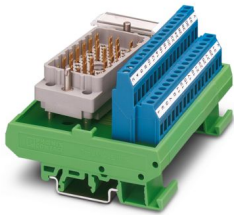
UMK- EC90/32/EEX-XUL - Termination board



2975829

<https://www.phoenixcontact.com/us/products/2975829>

Please be informed that the data shown in this PDF document is generated from our online catalog. Please find the complete data in the user documentation. Our general terms of use for downloads are valid.



Termination board, connection 1: Screw connection, connection 2: ELCO connector
1x 32-position (Pin strip type 8016 (EEx i protection), left)

The figure shows version UMK- EC
90/32/EEX-XOL

Commercial data

Item number	2975829
Packing unit	1 pc
Note	Made to order (non-returnable)
Sales key	C422
Product key	DK2186
GTIN	4017918089146
Weight per piece (including packing)	236 g
Weight per piece (excluding packing)	200.58 g
Customs tariff number	85369010
Country of origin	DE

2975829

<https://www.phoenixcontact.com/us/products/2975829>

Technical data

Product properties

Product type	Interface module
Number of positions	32

Electrical properties

Nominal voltage U_N	30 V AC/DC
Max. current carrying capacity per branch	2 A
Max. total current of all branches	64 A (32 branches with 2 A each)

Connection data

Field level

Connection in acc. with standard	IEC / EN
Connection method	Screw connection
Stripping length	8 mm
Screw thread	M3
Conductor cross-section rigid	0.2 mm ² ... 4 mm ²
Conductor cross-section flexible	0.2 mm ² ... 2.5 mm ²
Conductor cross-section AWG	24 ... 12

Controller level

Connection method	ELCO connector
Number of connections	1
Number of positions	32
Note	Pin strip type 8016 (EEx i protection), left

Signaling

Status display present	no
------------------------	----

Dimensions

Item dimensions

Width	101.3 mm
Height	77 mm
Depth	58.5 mm

Material specifications

Color	green (RAL 6021)
Housing insulation material	Polyamide PA non-reinforced

Environmental and real-life conditions

Ambient conditions

Ambient temperature (operation)	-20 °C ... 40 °C
---------------------------------	------------------

UMK- EC90/32/EEX-XUL - Termination board



2975829

<https://www.phoenixcontact.com/us/products/2975829>

Ambient temperature (storage/transport)	-20 °C ... 70 °C
---	------------------

Standards and regulations

Standards/regulations	EN 50020
-----------------------	----------

Mounting

Mounting position	any
-------------------	-----

Notes

Notes on operation	For proper use, the specifications of the installation directive (see Downloads) must be observed. For applications or use with third-party products, the specifications, and the safety and warning instructions of the respective third-party manufacturer must also be met.
--------------------	--

UMK- EC90/32/EEX-XUL - Termination board

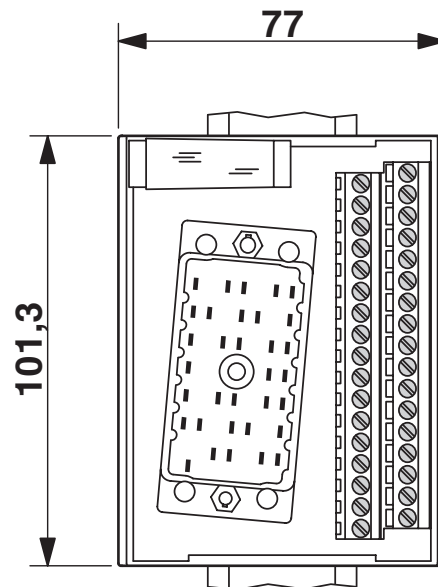
2975829

<https://www.phoenixcontact.com/us/products/2975829>



Drawings

Dimensional drawing



UMK- EC90/32/EEX-XUL - Termination board



2975829

<https://www.phoenixcontact.com/us/products/2975829>

Environmental product compliance

EU REACH SVHC

REACH candidate substance (CAS No.)	
-------------------------------------	--

	No substance above 0.1 wt%
--	----------------------------

Phoenix Contact 2026 © - all rights reserved

<https://www.phoenixcontact.com>

Phoenix Contact USA
586 Fulling Mill Road
Middletown, PA 17057, United States
(+717) 944-1300
info@phoenixcon.com