

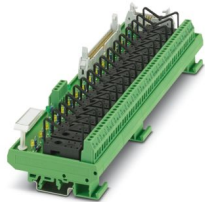
# UMK-16 RELS/KSR-G24/21/PLC - Active module



2974901

<https://www.phoenixcontact.com/us/products/2974901>

Please be informed that the data shown in this PDF document is generated from our online catalog. Please find the complete data in the user documentation. Our general terms of use for downloads are valid.



VARIOFACE output module, with plug-in bases for 16 miniature relays, 1 changeover contact each, for 24 V DC (basic module, without relays)

## Your advantages

- LED status indicator per signal path and supply voltage
- Freewheeling and polarity protection diode for each signal path
- Plug-in miniature relays, each with a changeover contact

## Commercial data

Item number	2974901
Packing unit	1 pc
Minimum order quantity	1 pc
Note	Made to order (non-returnable)
Sales key	C421
Product key	DK2191
GTIN	4017918089009
Weight per piece (including packing)	462.4 g
Weight per piece (excluding packing)	380.9 g
Customs tariff number	85364190
Country of origin	DE

2974901

<https://www.phoenixcontact.com/us/products/2974901>

## Technical data

### Product properties

Product type	Interface module
No. of channels	16
	32
Operating mode	100% operating factor
Mechanical service life	3x 10 <sup>7</sup> cycles

### Insulation characteristics

Overvoltage category	III
Pollution degree	2

### Electrical properties

Rated insulation voltage	300 V AC
Rated surge voltage	4 kV (Basic insulation between output contact current paths)
	6 kV (Safe isolation and reinforced insulation between input circuit and output contact paths)

Supported controller: SIEMENS S7-400

Suitable I/O card	6ES7422-1BL00-0AA0
	6ES7422-7BL00-0AB0

Supported controller: ALLEN-BRADLEY ControlLogix

Suitable I/O card	1756-OB32
-------------------	-----------

Supported controller: ALLEN-BRADLEY PLC 5

Suitable I/O card	1771 OBN
-------------------	----------

Supported controller: HONEYWELL Experion PKS C200

Suitable I/O card	TC-ODD 321
-------------------	------------

Supported controller: MITSUBISHI MELSEC Q

Suitable I/O card	QY81P
-------------------	-------

Supported controller: SCHNEIDER ELECTRIC Modicon TSX QUANTUM

Suitable I/O card	DDO 353
-------------------	---------

Supported controller: SIEMENS S7-300 / ET 200 M

Suitable I/O card	6ES7322-1BL00-0AA0
-------------------	--------------------

Supported controller: GE-FANUC RX3i

Suitable I/O card	IC694MDL754
-------------------	-------------

### Input data

Nominal input voltage $U_N$	24 V DC
Input voltage range in reference to $U_N$	0.8 ... 1.1
Typical input current at $U_N$	2 mA (LED display)

# UMK-16 RELS/KSR-G24/21/PLC - Active module



2974901

<https://www.phoenixcontact.com/us/products/2974901>

Protective circuit	Freewheeling diode; Freewheeling diode
Operating voltage display	Green LED
Status display/channel	Yellow LED

## Output data

### Switching

Contact switching type	1 changeover contact
Maximum switching voltage	250 V AC/DC
Limiting continuous current	5 A

## Connection data

### Controller level

Connection method	IDC/FLK pin strip
Number of connections	1
Number of positions	50
Pitch	2.54 mm

### Field level

Connection method	Screw connection
Stripping length	8 mm
Screw thread	M3
Number of connections	48
Conductor cross-section rigid	0.2 mm <sup>2</sup> ... 4 mm <sup>2</sup>
Conductor cross-section flexible	0.2 mm <sup>2</sup> ... 2.5 mm <sup>2</sup>
Conductor cross-section AWG	24 ... 12

### Supply

Connection method	Screw connection
Stripping length	8 mm
Screw thread	M3
Number of connections	4
Conductor cross-section rigid	0.2 mm <sup>2</sup> ... 4 mm <sup>2</sup>
Conductor cross-section flexible	0.2 mm <sup>2</sup> ... 2.5 mm <sup>2</sup>
Conductor cross-section AWG	24 ... 12

### Connection for extension module

Connection method	IDC/FLK pin strip
Number of connections	1
Number of positions	20
Pitch	2.54 mm

## Signaling

Status display present	yes
------------------------	-----

## Dimensions

# UMK-16 RELS/KSR-G24/21/PLC - Active module



2974901

<https://www.phoenixcontact.com/us/products/2974901>

Width	259 mm
Height	77 mm
Depth	59 mm

## Material specifications

Color	green (RAL 6021)
-------	------------------

## Environmental and real-life conditions

### Ambient conditions

Degree of protection	IP00
Ambient temperature (operation)	-20 °C ... 50 °C
Ambient temperature (storage/transport)	-20 °C ... 70 °C

## Standards and regulations

Standards/regulations	EN 61010-2-201
	IEC 60664

## Mounting

Mounting type	DIN rail mounting
Assembly note	in rows with zero spacing
Mounting position	any

## Notes

Notes on operation	Observe the maximum switching power of the relays used
Notes on operation	Do not connect adjacent channels to SELV/ PELV and voltages dangerous to the touch.
Notes on operation	The outputs are not suitable for switching different line conductors. The sum of the switching voltages used for adjacent outputs must not exceed the rated insulation voltage value
Notes on operation	The necessary requirements for insulation (basic insulation or reinforced insulation) from adjacent modules (in DIN-rail direction) must be realized by applying suitable measures (e. g., partition plates).
Notes on operation	For proper use, the specifications of the installation directive (see Downloads) must be observed. For applications or use with third-party products, the specifications, and the safety and warning instructions of the respective third-party manufacturer must also be met.

### Utilization restriction

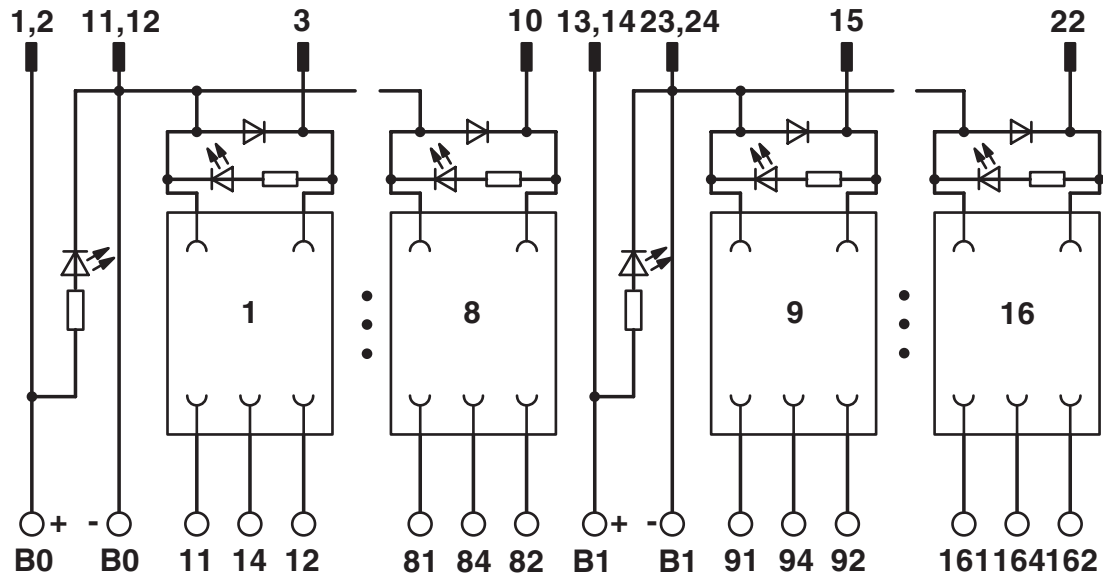
EMC note	EMC: class A product, see manufacturer's declaration in the download area
----------	---

2974901

<https://www.phoenixcontact.com/us/products/2974901>

## Drawings

Circuit diagram



# UMK-16 RELS/KSR-G24/21/PLC - Active module



2974901

<https://www.phoenixcontact.com/us/products/2974901>

## Approvals

To download certificates, visit the product detail page: <https://www.phoenixcontact.com/us/products/2974901>



**EAC**

Approval ID: RU\*DE\*08.B.01841/19



**UL Listed**

Approval ID: E238705



**cUL Listed**

Approval ID: E238705

# UMK-16 RELS/KSR-G24/21/PLC - Active module



2974901

<https://www.phoenixcontact.com/us/products/2974901>

## Classifications

### ECLASS

ECLASS-13.0	27141152
ECLASS-15.0	27141152

### ETIM

ETIM 10.0	EC002780
-----------	----------

### UNSPSC

UNSPSC 21.0	39121400
-------------	----------

2974901

<https://www.phoenixcontact.com/us/products/2974901>

## Environmental product compliance

### EU RoHS

Fulfills EU RoHS substance requirements	Yes
Exemption	7(a), 7(c)-I

### China RoHS

Environment friendly use period (EFUP)	EFUP-50
	An article-related China RoHS declaration table can be found in the download area for the respective article under "Manufacturer declaration". For all articles with EFUP-E, no China RoHS declaration table issued and required.

### EU REACH SVHC

REACH candidate substance (CAS No.)	Lead(CAS: 7439-92-1)
SCIP	c839830a-b242-4325-b123-fdd32b032877

Phoenix Contact 2026 © - all rights reserved  
<https://www.phoenixcontact.com>

Phoenix Contact USA  
586 Fulling Mill Road  
Middletown, PA 17057, United States  
(+717) 944-1300  
[info@phoenixcon.com](mailto:info@phoenixcon.com)