

UMK-SE 11,25-1 BK - Lateral element



2974723

<https://www.phoenixcontact.com/us/products/2974723>

Please be informed that the data shown in this PDF document is generated from our online catalog. Please find the complete data in the user documentation. Our general terms of use for downloads are valid.

Press-drawn section housings, Lateral element, without snap-on foot, profile width (internal): 72.2 mm, profile width (external): 77 mm, length: 11.25 mm



Commercial data

Item number	2974723
Packing unit	10 pc
Minimum order quantity	10 pc
Note	Made to order (non-returnable)
Sales key	AC13
Product key	ACHDCA
GTIN	4017918281021
Weight per piece (including packing)	5.74 g
Weight per piece (excluding packing)	5.74 g
Customs tariff number	85389099
Country of origin	PL

UMK-SE 11,25-1 BK - Lateral element

2974723

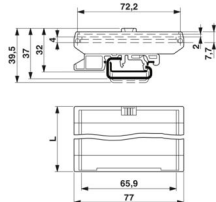
<https://www.phoenixcontact.com/us/products/2974723>

Technical data

Product properties

Product type	Panel mounting base side part
Housing type	Press-drawn section housings
Housing series	UMK
Product family	UMK SE
Ventilation openings present	no

Dimensions

Dimensional drawing	
Length	11.25 mm

External dimensions

Profile width (external)	77 mm
--------------------------	-------

Internal dimensions

Profile width (internal)	72.2 mm
--------------------------	---------

Material specifications

Color (Side element)	black (RAL 9005)
Material Lateral element	PA
Flammability rating according to UL 94	V2

Environmental and real-life conditions

Ambient conditions

Ambient temperature (operation)	-40 °C ... 105 °C (depending on power dissipation)
---------------------------------	--

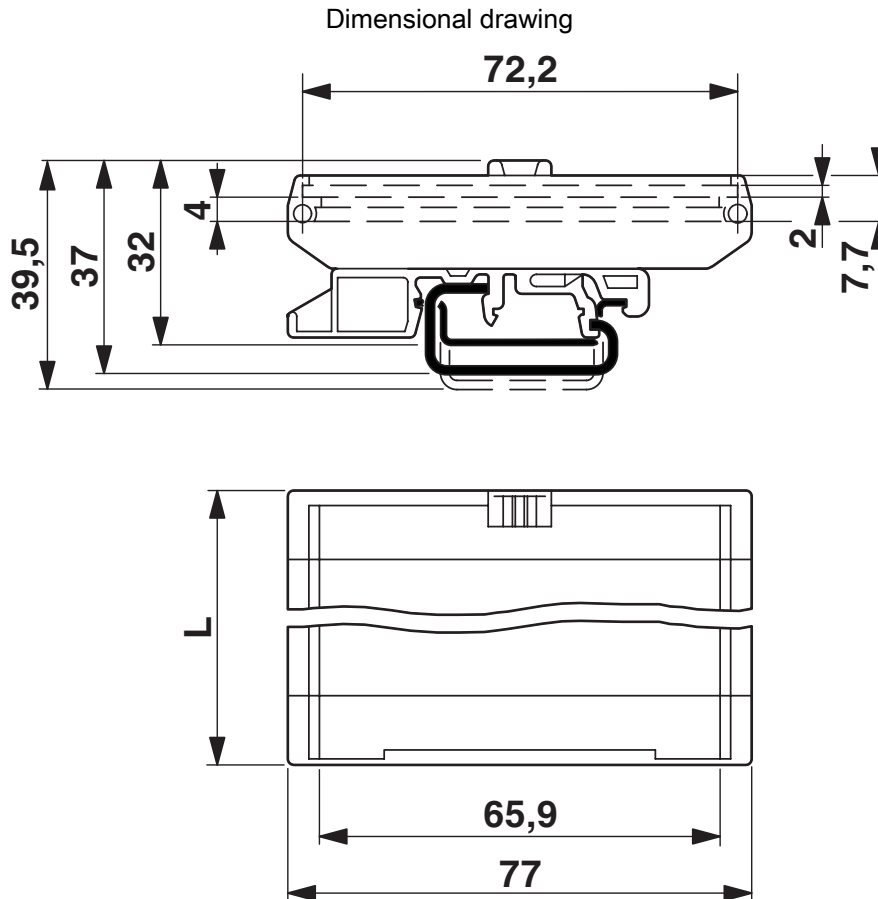
UMK-SE 11,25-1 BK - Lateral element



2974723

<https://www.phoenixcontact.com/us/products/2974723>

Drawings



UMK-SE 11,25-1 BK - Lateral element



2974723

<https://www.phoenixcontact.com/us/products/2974723>

Approvals

To download certificates, visit the product detail page: <https://www.phoenixcontact.com/us/products/2974723>



UL Recognized

Approval ID: E240868

UMK-SE 11,25-1 BK - Lateral element



2974723

<https://www.phoenixcontact.com/us/products/2974723>

Classifications

ECLASS

ECLASS-13.0	27190602
ECLASS-15.0	27190602

ETIM

ETIM 10.0	EC002779
-----------	----------

UNSPSC

UNSPSC 21.0	31261500
-------------	----------

UMK-SE 11,25-1 BK - Lateral element



2974723

<https://www.phoenixcontact.com/us/products/2974723>

Environmental product compliance

EU RoHS

Fulfills EU RoHS substance requirements	Yes, No exemptions
---	--------------------

China RoHS

Environment friendly use period (EFUP)	EFUP-E
	No hazardous substances above the limits

EU REACH SVHC

REACH candidate substance (CAS No.)	No substance above 0.1 wt%
-------------------------------------	----------------------------

EF3.1 Climate Change

CO2e kg	0.044 kg CO2e
---------	---------------

Phoenix Contact 2026 © - all rights reserved
<https://www.phoenixcontact.com>

Phoenix Contact USA
586 Fulling Mill Road
Middletown, PA 17057, United States
(+717) 944-1300
info@phoenixcon.com